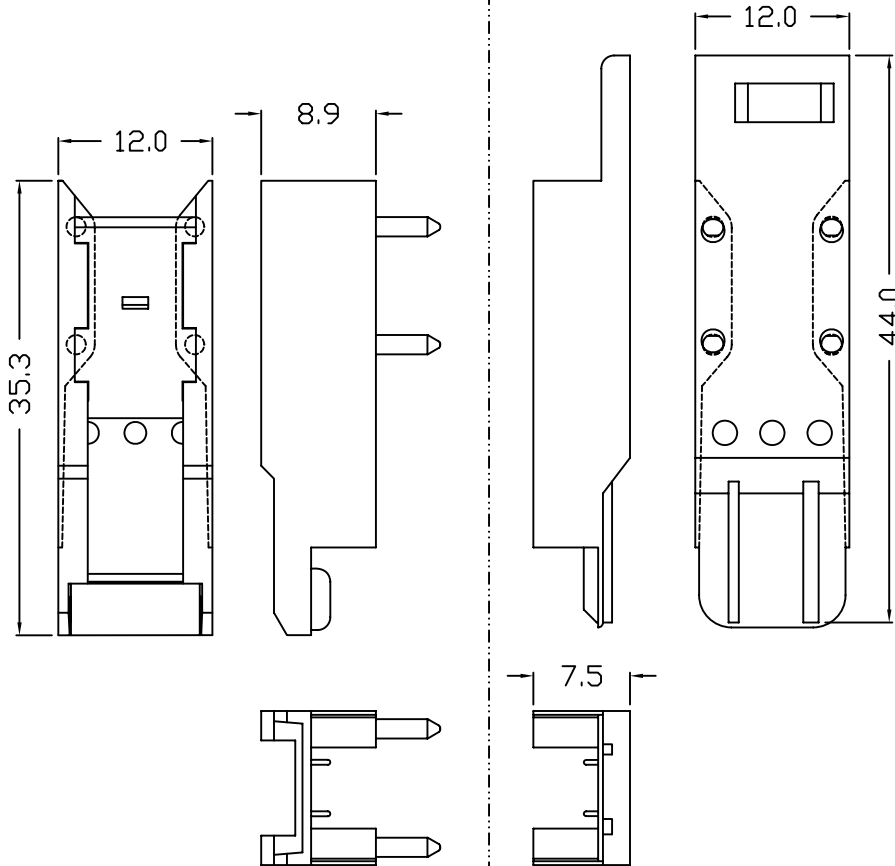


PRODUCT NO.
72390-0021 SEE NOTE 5

PRODUCT NO.
72390-0011 SEE NOTE 5



NOTES:

1. SEE APPLICATION SPECIFICATION, GS-20-003, FOR INSTRUCTION ON WIRE INSERTION AND ASSEMBLY OF COMPONENTS FOR CONNECTOR USING THESE COVERS.
2. MATERIAL:
GLASS FILLED 612 POLYAMIDE.
3. THE PRODUCTS WHERE THE PART NUMBER ENDS IN LF MEET THE EUROPEAN UNION DIRECTIVES AND OTHER COUNTRY REGULATIONS AS DESCRIBED IN GS-22-008.
4. THESE PRODUCTS LISTED ON THIS DRAWING WILL NOT WITHSTAND WAVE SOLDER OR REFLOW OPERATIONS.
5. FOR LEAD FREE PART NUMBERS, ADD AN 'LF' SUFFIX. EXAMPLE 72390-0011LF.

mat'l. code		surface		tolerance		projection		product family	
SEE NOTES		ASME Y14.5		ASME Y14.5				METRAL CABLE	
ltr	ec'n no	dr	date	tolerances unless otherwise specified		MM		title	
A	V71561	JRV	11/6/97	angles	Xx10			5 X 6 COVERS 5 - ROW METRAL UNSHIELDED CABLE CONNECTOR	
B	V12694	LSS	11/16/01	linear	XXx.05	scale 1:1		dwg no	
C	V05-0594	VS	08/08/05	0° ±2'	XXXx.02			sheet 1 of 1	
D	V06-0613	JRV	2006-06-22	dr	J.R.VOLSTROF	11/06/97		size	
				engr	J.R.VOLSTROF	11/06/97		A4	
				chr	J.R.VOLSTROF	11/06/97		type	
				appd	J.R.VOLSTROF	11/06/97		CUSTOMER Drawing	
sheet index	revision sheet	D							
	1								