

S63B-DHS1-5KCB2A

Dual Output Hall Switch Sensor

- Dual output hall switch
- 55 gauss operate
- NPN w/5k pull up resistor
- Stainless 5/8-18 x 2.5" MS opt housing
- Integral 4 pin male 12mm micro connector



CUSTOMER FOCUSED ENGINEERING + MODULAR DESIGN

Part Description: **S63B-DHS1-5KCB2A**

Housing	Sensor Type & Function	Electrical Option	Connection Type
Stainless Steel MS Opt 5/8-18 x 2.5" Long	Dual Output Hall Switch Sensor	NPN, 5k Pull Up Resistor	CB2A = Integral 4 Pin Male 12mm Micro Connector

Modify, update, or enhance any sensor with our modular features and functionality.

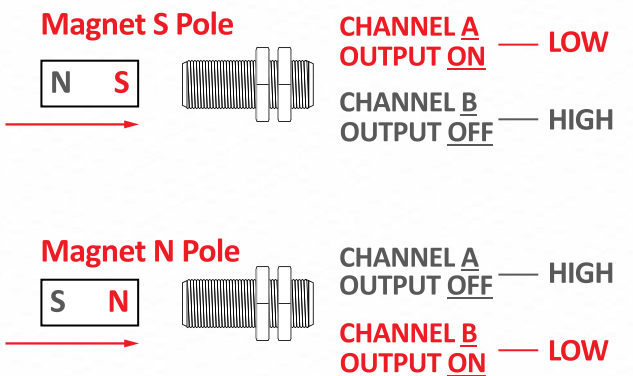
HOUSING - Aluminum, stainless steel, plastic, threaded, flange mount, customer specific

ELECTRICAL - Every sensor function available in various electrical options (NPN, PNP, TTL, etc.)

CONNECTION - Deutsch, Amphenol, many other brands, free end wires, pigtails, any length

Need a Custom Sensor Solution?... Send us your application specific requirements at sensorso.com

'Dual Output' Hall Switch Sensor



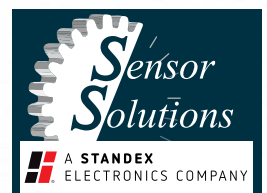
Type - DHS

DESCRIPTION

- Sensor produces dual pulsing outputs, 1 South Pole and 1 North Pole.
- Functions as directional limit switch when magnets are mounted at each end of range of motion.
- No orientation required. Use lock nuts to set air gap within range of target magnets.
- South Pole element is located closer to sensor face and will detect at a slightly greater operate gap.
- Note: Operate and release gaps are dependent on the size, material, grade, and temperature of the target magnet.

FEATURES

- True Zero Speed
- Greater Detection Gap Than Standard DHS Sensor
- Rugged, Sealed Housing
- Solid State (Nothing to wear out!)



S63B-DHS1-5KCB2A

Dual Output Hall Switch Sensor

Note: Check our website or contact us to see all of our Options, including more and less sensitive choices.

Electrical Specifications	Conditions	Min	Max	Unit
Temperature Range*	Operating	-40	+110*	Deg C
Supply Voltage, Vcc	Over temperature	+4.5	+28	Volts DC
Supply Current, Output Off	Into Vcc	+4	+14	mA
Frequency Range		0	20	kHz
Internal Pull Up Resistor	Vcc to Vout	4.9	5.1	kOhms
Saturation Voltage Low 100% tested at 20°C before shipping	Vcc=12V, Rload >100k	0	.4	Volts
Saturation Voltage High 100% tested at 20°C before shipping	Vcc=12V, Rload >100k	11.5	12	Volts
Output Rise Time 10-90%	C < 100pF	-	8.0	µS
Output Fall Time 90-10%	C < 100pF	-	2.0	µS
ESD **	Nondestructive	-	8000	Volts
EMI **	20k to 1 G Hz	-	100	V / M

* T max = 150°C is available, contact factory.

** Specifications not available at release.

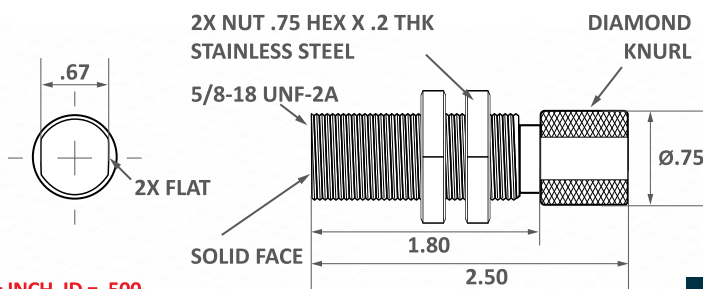
Rev B

Absolute Max Limits	Min	Max	Unit
Supply Voltage, Vcc	-32	+32	Volts DC
Voltage Applied to Output	-0.3	+28	Volts
Current Into Output	-	25	mA
Current Out of Output	-	Vcc/5k	mA
Load Dump, 40 mS Rs = 20	-	60	Volts

Environmental Specifications

Corrosion Resistance	500 hours salt spray ASTM B-117
Installation Torque	80 Foot-Pounds Maximum
Enclosure	Nema 1,3,4,6,13 & IEC IP67
Vibration	10 G's 2 to 2000 Hz Sinusodal
Mechanical Shock	100 G's, 11 mS Half-Sine

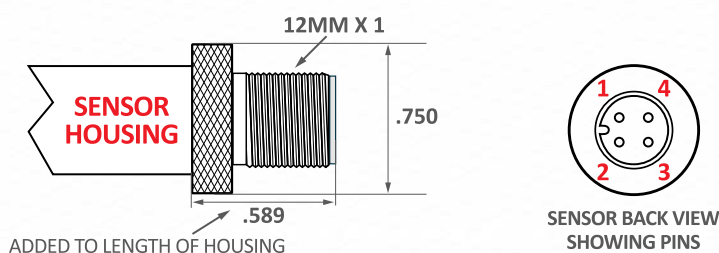
S63B, Housing, 303 Stainless Steel, MS Opt 5/8-18, 2.5" Long



DIM = INCH, ID = .500

Rev C

CB2A, Integral 4 Pin Male 12mm Micro Connector



DIM = INCH

Rev B

Magnetic Characteristics	Min	Typ	Max
Operate Point Over Temp 100% tested at 20°C before shipping	15 G	55 G	76 G
Release Point Over Temp	5 G	35 G	57 G
Hysteresis Over Temp	5 G	20 G	28 G
Inside Depth to N pole Element	-	.060"	-
Inside Depth to S pole Element	-	.090"	-

Connections Chart

Pin 1	Vcc	Pin 3	Ground
Pin 2	N Pole Vout	Pin 4	S Pole Vout
CB2A-DHS			

OTHER MATING CONNECTORS AND CABLES AVAILABLE

S63B-DHS1-5KCB2A

Dual Output Hall Switch Sensor

Sensor Function

Air Gap

Magnet or Magnetic Field
 S Pole CH A ON
 N Pole CH B ON

NO ORIENTATION REQUIRED

S63B-DHS

Date Code 'YYM' **YY = YEAR, M = MONTH**

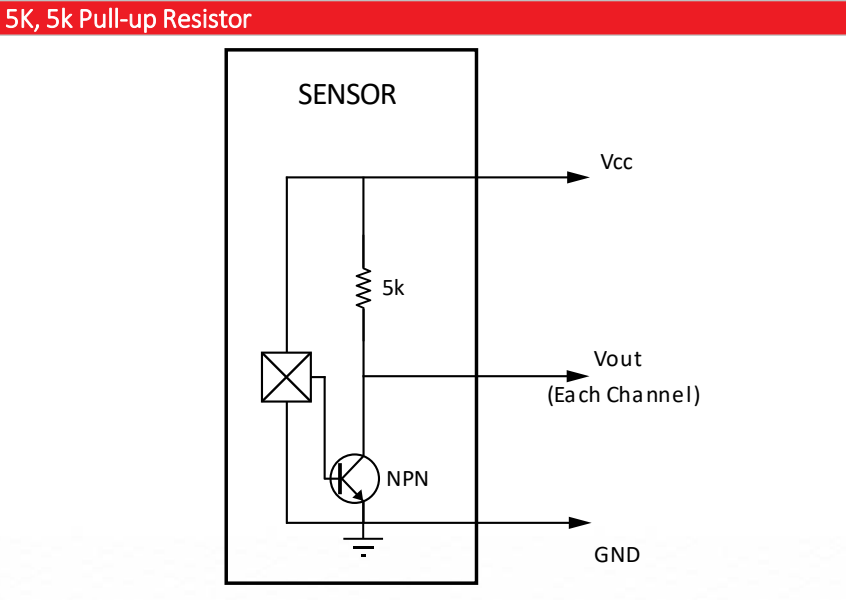
A JAN	D APR	H JUL	L OCT
B FEB	E MAY	J AUG	M NOV
C MAR	G JUN	K SEP	N DEC

Marking

DATE CODE, THIS SURFACE

DHS1-5K 22J

CHARACTERISTIC-OPTION MARKED ON THIS SURFACE



Handling Instructions

DO NOT CONTACT FACE TO FACE

CONTACT WITH OTHER MAGNETS MAY REDUCE THE MAXIMUM OPERATING GAP

Please note: All technical specifications on this series datasheet refer to the standard product range. Modifications in the sense of technical progress are reserved. For general information only. For more specific information, please consult the product datasheet, available upon request.

This series datasheet could contain technical inaccuracies or typographical errors. Changes are periodically made to the information herein. These change will be incorporated in future revisions.

For deviating values, most current specifications and products please contact your nearest sales office.