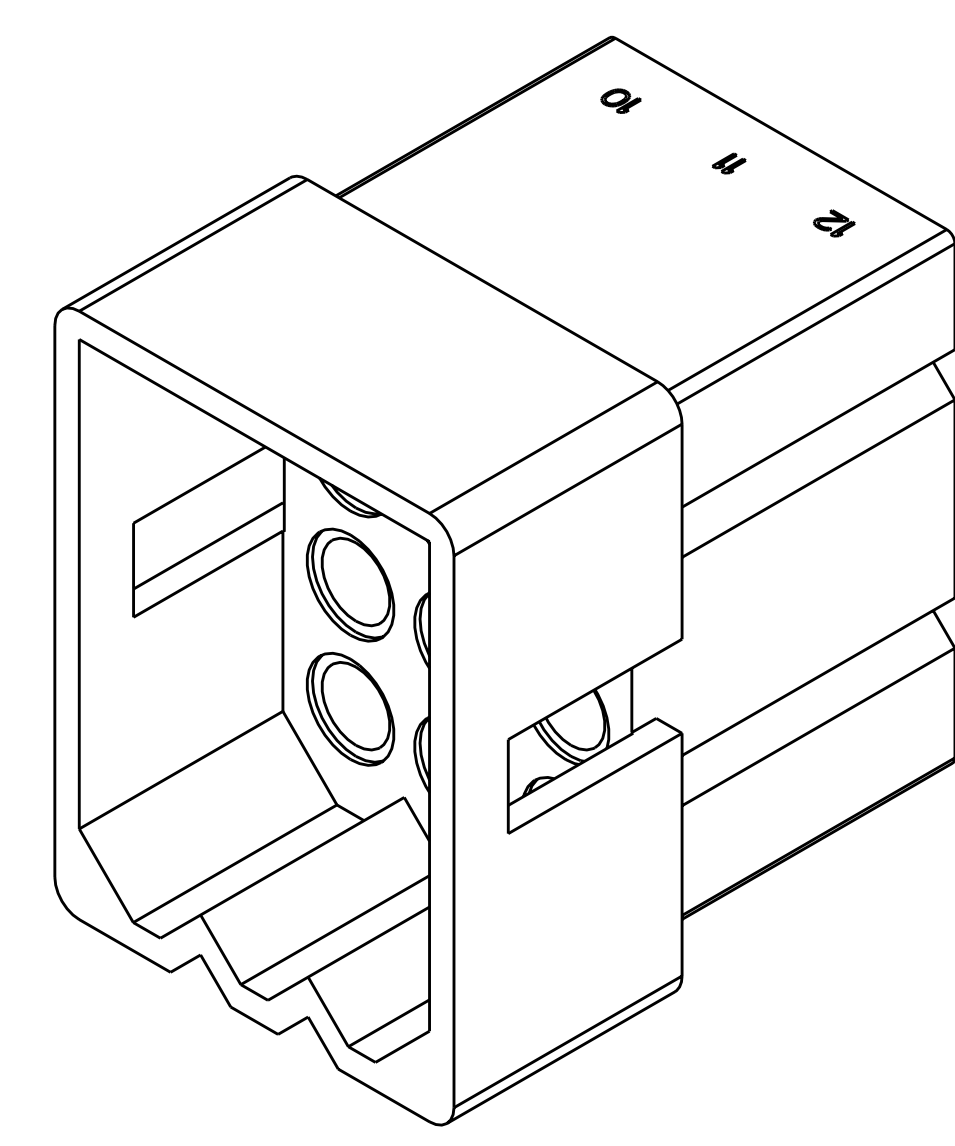
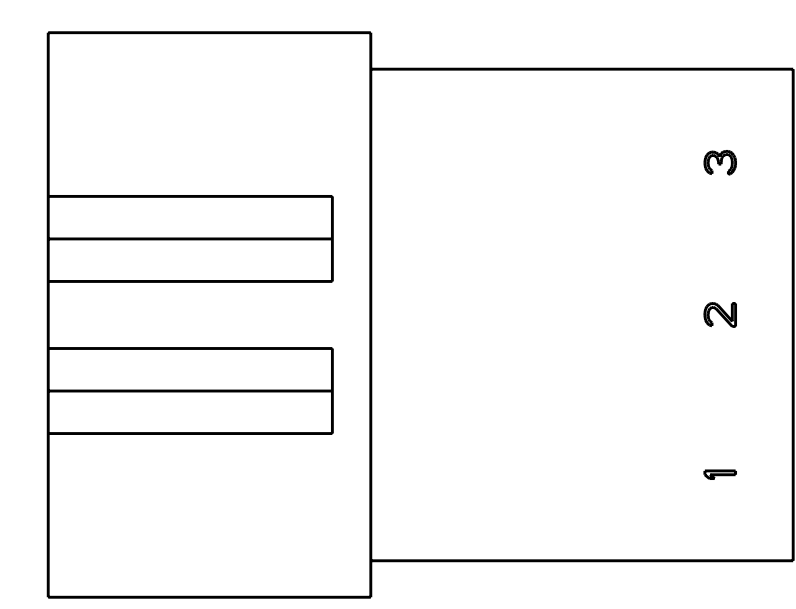
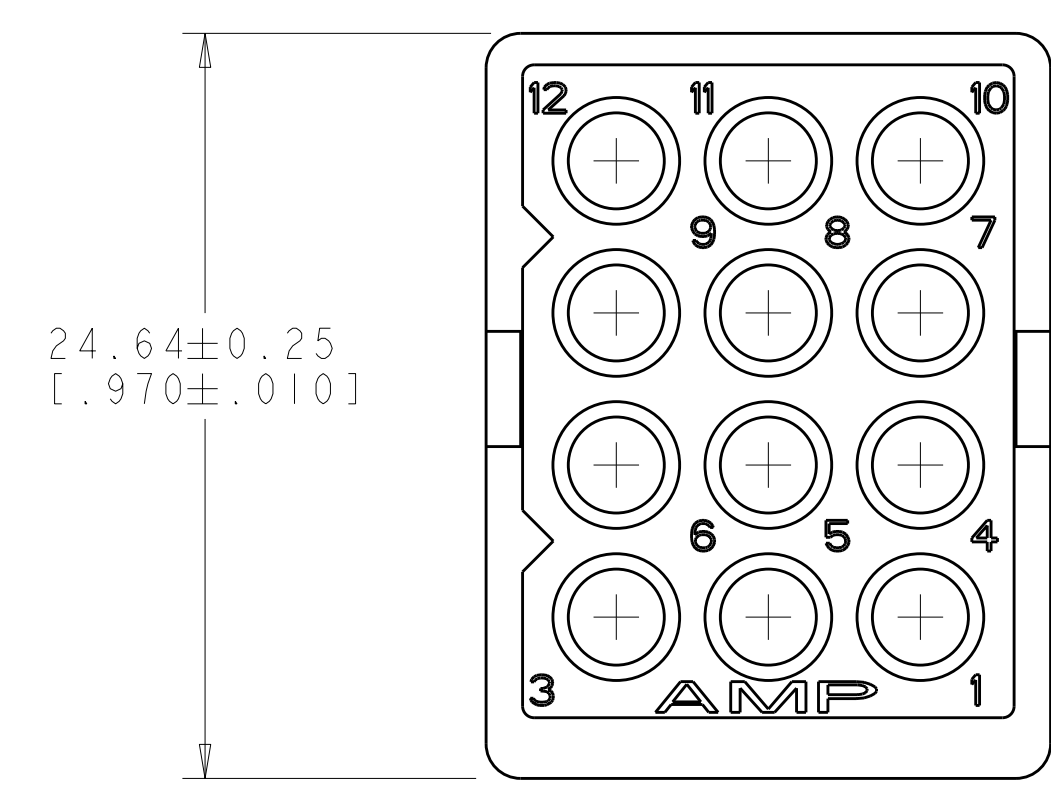
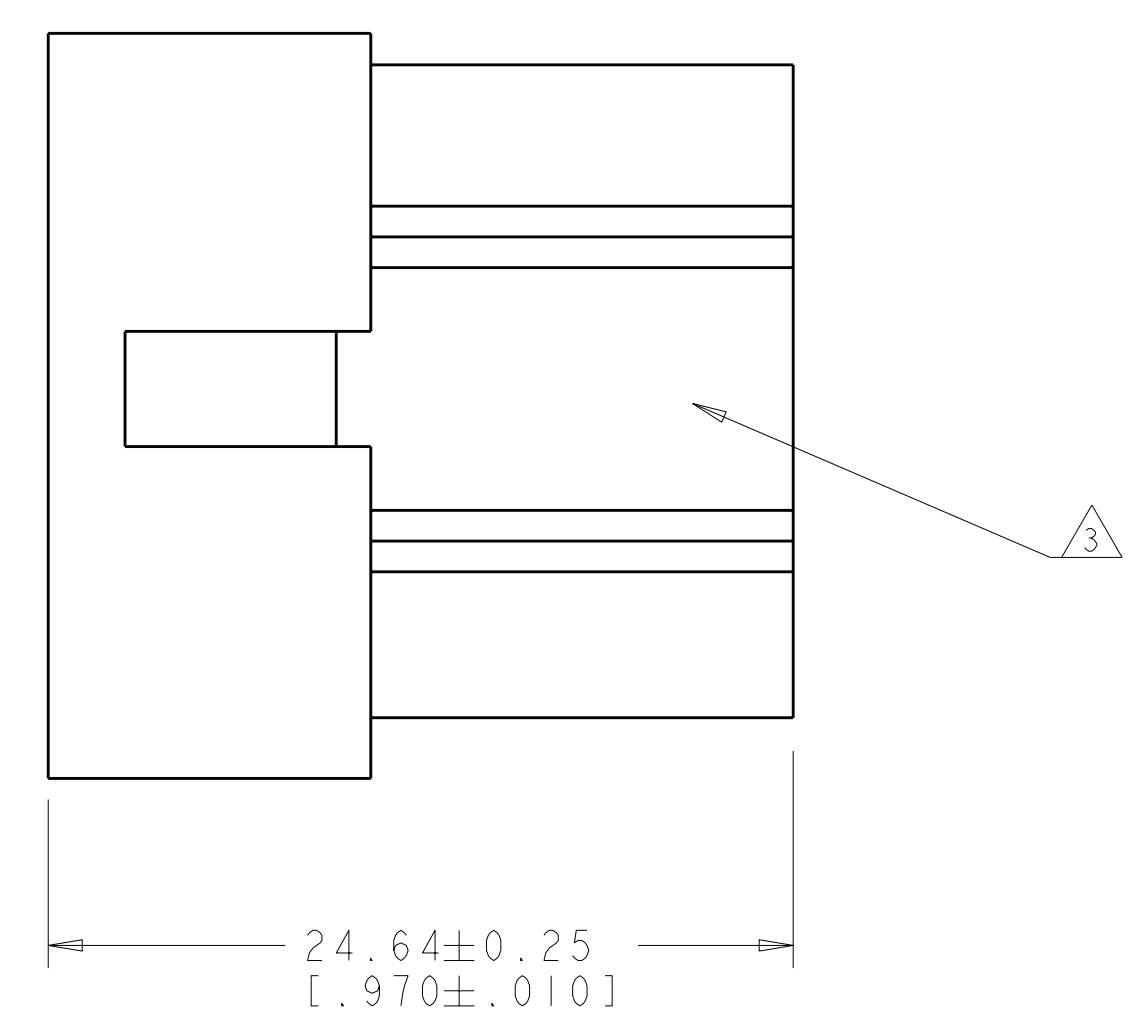
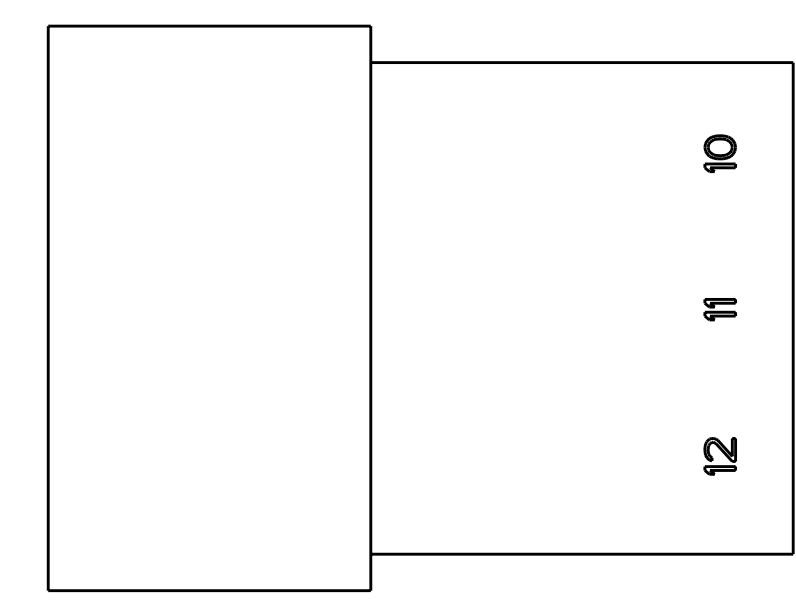
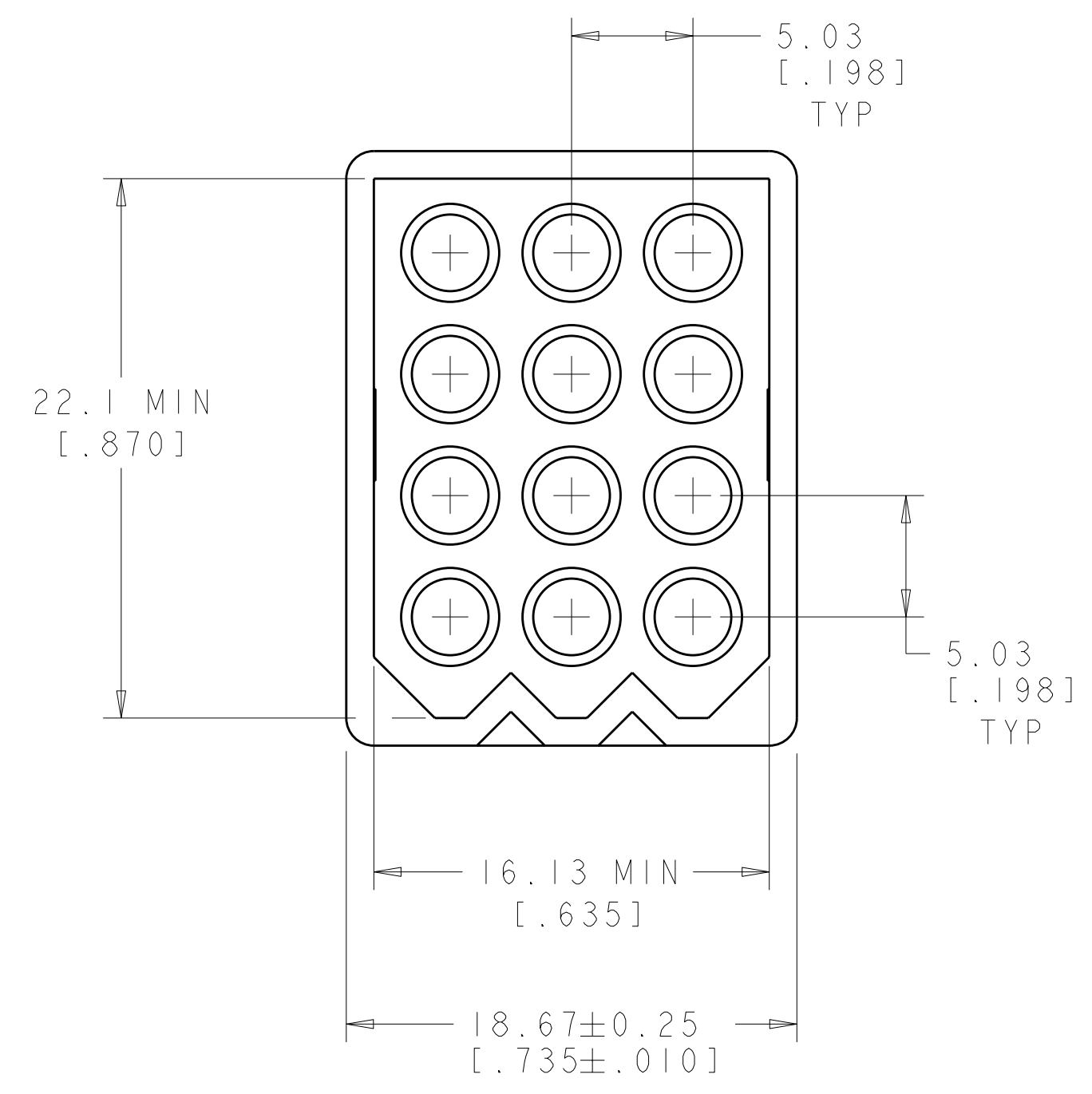


LOC	DIST	REV	DATE	DWN	APVD
CM	00	F	ECO-07-020239	12OCT2007	KW CC

1 MATERIAL: NYLON UL94V-2 (NATURAL).
 2 MARKINGS FOR UL LOGO AND CSA LOGO LOCATED ON THIS SURFACE. OPPOSITE SIDE IS OPTIONAL LOCATION.



0.244 IN ³	770102-1
VOLUME	PART NUMBER

DIMENSIONS: mm [INCHES] TOLERANCES UNLESS OTHERWISE SPECIFIED: 9 PLC ± 8 PLC ±0.13 (1.005) 5 PLC ± 4 PLC ± ANGLES ±40° 30' MATERIAL: FINISH: -		DWN: R. WHITAKER 12OCT2007 CHK: C. CASH 12OCT2007 APVD: C. CASH 12OCT2007 PRODUCT SPEC APPLICATION SPEC WEIGHT: - CUSTOMER DRAWING	Tyco Electronics Harrisburg, PA 17105-3608 NAME: PLUG, 12 CIRCUIT, .093 COMMERCIAL PIN AND SOCKET SIZE: A 00779 C=770102 RESTRICTED TO: - SCALE: 4:1 SHEET 1 OF 1 REV F
--	--	--	--

METRIC