

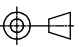


CODE 18 - BRAID TAIL BACKSHELL

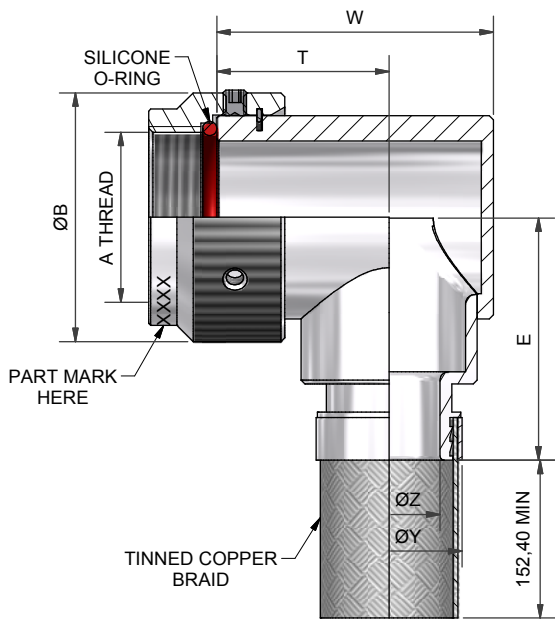
218M916-19B08

SERIES
 ORDER NUMBER (TABLE 1)
 MANUFACTURER CODE (TABLE 3)
 MATERIAL
 REFER TO CH00-0250-004
 FINISH
 REFER TO CH00-0250-004 (2)
 ENTRY SIZE (TABLE 2)

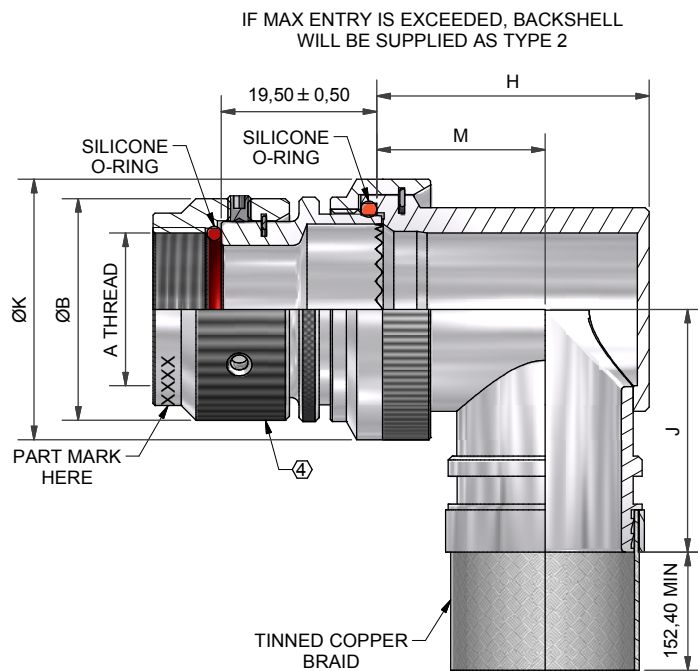
NOTES:

1. THIS PRODUCT IS DESIGNED TO TERMINATE A HEAT SHRINKABLE LIPPED BOOT TO A CONNECTOR.
- (2) FOR ADDITIONAL DIMENSIONS, ORDERING INFORMATION AND MODIFICATION, SEE CH00-0250-004.
3. BACKSHELL TO BE PERMANENTLY MARKED/BAGGED AND LABELLED WITH CODE IDENTIFICATION NUMBER AND PART NUMBER. (e.g. 06090-218M916-19B08).
- (4) WHEN ENTRY SIZE EXCEEDS "MAX ENTRY", A 2 PIECE BACKSHELL (TYPE 2) IS SUPPLIED.
5. BACKSHELL MATES TO MIL-DTL-5015D, CLASS A, E & R, MS3100, MS3101 & MS3106. RESILIENT INSERT, SOLDER TYPE AND BENDIX 10-214, CANNON CA-RX COMMERCIAL CRIMP TYPE.
6. BRAID TERMINATION RING MAY BE SUPPLIED AS TINEL-LOCK SHAPE MEMORY RING AT MANUFACTURERS OPTION.
- (7) ALL THREAD SIZES FOR ORDER NO. APPLY.
- (8) ADDITIONAL PIECE(S) SUPPLIED WHEN CONNECTOR MFR IS UNKNOWN ("D" IN TABLE 3) AND ENTRY SIZE DOES NOT EXCEED VALUE IN TABLE 1.
- (9) ANTI-ROTATIONAL SET SCREW, THREE #4-40 THREADED HOLES 120° ±5° APART, SINGLE MATING SET SCREW SUPPLIED.

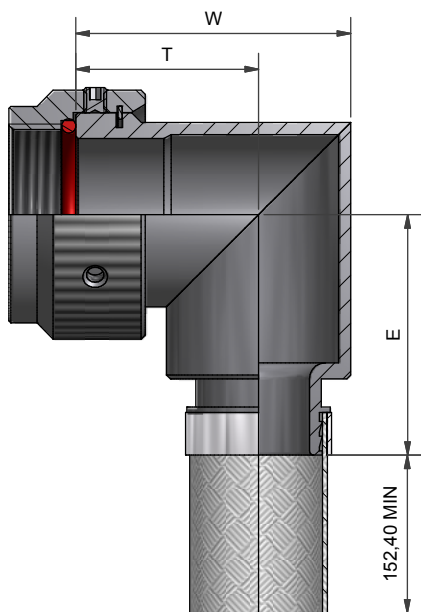
DRAWN	B.VESA	DATE 08/10/2015	 3RD ANGLE PROJECTION NOT TO SCALE	TITLE:	BRAID TAIL BACKSHELL	 Polamco  <small>connectivity</small>
CHECKED		08/10/2015				
APPROVED	K.SHEPPARD	16/10/2015		<small>UNLESS OTHERWISE SPECIFIED ALL DIMENSIONS IN MILLIMETRES GENERAL TOL LINEAR +/-0.25MM ANGULAR +/- 1°</small>		
APPROVED	H.SMITH	23/10/2015				
REVISIONS						
LTR	DESCRIPTION	DATE	APPROVED			
D	REVISED PER ECO-14-008400	04.06.14	I.MYONG			
E	REVISED PER ECO-15-015326	23.10.15	H.SMITH			
TE CAGE CODE: 06090 POLAMCO/TE CAGE CODE: U5792				<small>TE CONNECTIVITY - POLAMCO LTD RESERVES THE RIGHT TO AMEND THIS DRAWING AND THE INFORMATION SET FORTH HEREON AT ANY TIME. USERS SHOULD INDEPENDENTLY EVALUATE THE SUITABILITY OF THE PRODUCT FOR THEIR APPLICATION.</small>		DRAWING NO: 218M9XX
				DRAWING REV: E	SHT 1	



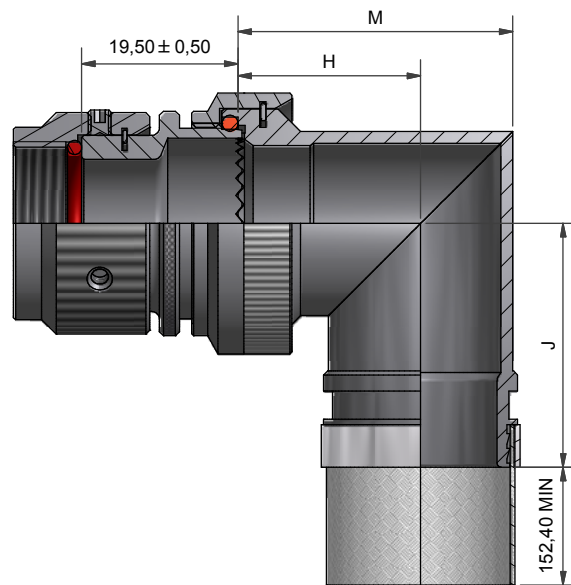
90° BACKSHELL - TYPE 1



90° BACKSHELL - TYPE 2



90° BACKSHELL - TYPE 1
STAINLESS STEEL AND
NICKEL ALUMINIUM BRONZE



90° BACKSHELL - TYPE 2
STAINLESS STEEL AND
NICKEL ALUMINIUM BRONZE

DRAWN	B.VESA	DATE	08/10/2015
CHECKED		DATE	08/10/2015
APPROVED	K.SHEPPARD	DATE	16/10/2015
APPROVED	H.SMITH	DATE	23/10/2015
REVISIONS			
LTR	DESCRIPTION	DATE	APPROVED
D	REVISED PER ECO-14-008400	04.06.14	I.MYONG
E	REVISED PER ECO-15-015326	23.10.15	H.SMITH



3RD ANGLE
PROJECTION
NOT TO
SCALE

UNLESS OTHERWISE SPECIFIED
ALL DIMENSIONS IN MILLIMETRES
GENERAL TOL
LINEAR +/-0.25MM
ANGULAR +/- 1°

TITLE:

BRAID TAIL BACKSHELL

ASSY USED ON:

MIL-DTL-5015D



Polamco



TE CAGE CODE: 06090
POLAMCO/TE CAGE CODE: U5792

TE CONNECTIVITY - POLAMCO LTD RESERVES THE RIGHT TO AMEND THIS DRAWING
AND THE INFORMATION SET FORTH HEREON AT ANY TIME. USERS SHOULD
INDEPENDENTLY EVALUATE THE SUITABILITY OF THE PRODUCT FOR THEIR APPLICATION.

DRAWING NO:
218M9XX

DRAWING REV:
E

SHT
2

THESE DIMENSIONS APPLY IF BACKSHELL IS STAINLESS STEEL OR NICKEL ALUMINIUM BRONZE

TABLE 1

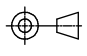
ORDER NUMBER	SHELL SIZE	MFR CODE TABLE 3	MAX ENTRY (4)	A THREAD	ØB MAX	W ±0,5	T ±0,5	E ±0,5	W ±0,5	T ±0,5	E ±0,5
08	8S	B	04	3/8-32 UNEF	18,5	21,7	15,2	24,0	21,7	15,2	24,0
	8S	C	04	7/16-28 UNEF	18,1	21,7	15,2	24,0	21,7	15,2	24,0
	8S	A, R	04	7/16-27 UNS	18,5	21,7	15,2	24,0	21,7	15,2	24,0
	8S	D (8)	04	(7)	18,5	21,7	15,2	24,0	21,7	15,2	24,0
10	10S	-	06	1/2-28 UNEF	19,8	23,2	15,7	25,7	23,2	15,7	25,7
11	10SL	C	07	9/16-24 UNEF	21,6	25,0	16,5	25,7	27,2	17,5	25,7
	10SL	A, B, R	07	5/8-24 UNEF	23,2	27,2	17,5	25,7	27,2	17,5	25,7
	10SL	D (8)	07	(7)	23,2	27,2	17,5	25,7	27,2	17,5	25,7
12	12 & 12S	B, C	08	5/8-24 UNEF	23,0	27,2	17,5	26,3	27,2	17,5	27,0
	12 & 12S	A, R	08	11/16-24 UNEF	24,9	27,2	17,5	26,3	27,2	17,5	27,0
	12 & 12S	D (8)	08	(7)	24,9	27,2	17,5	26,3	27,2	17,5	27,0
14	14 & 14S	-	10	3/4-20 UNEF	27,7	30,7	19,5	28,7	30,7	19,5	28,7
16	16 & 16S	-	12	7/8-20 UNEF	30,1	34,2	21,5	30,4	34,2	21,5	30,4
18	18	-	13	1-20 UNEF	34,4	37,2	23,0	32,0	37,2	23,0	32,0
20	20	A, B, C	16	1 1/8-18 UNEF	37,6	40,7	24,5	33,6	40,7	24,5	33,6
	20	R	16	1 1/8-24 UNS	37,6	40,7	24,5	33,6	40,7	24,5	33,6
	20	D (8)	16	(7)	37,6	40,7	24,5	33,6	40,7	24,5	33,6
22	22	-	18	1 1/4-18 UNEF	40,6	43,7	26,0	35,1	43,7	26,0	35,1
24	24	-	20	1 3/8-18 UNEF	43,6	46,7	27,5	36,6	46,7	27,5	36,6
28	28	-	24	1 5/8-18 UNEF	48,6	51,7	30,0	39,1	51,7	30,0	39,1
32	32	B, C	24	1 7/8-16 UN	54,9	58,4	32,7	42,3	58,4	32,2	42,3
	32	A, R	24	1 29/32-18 UN	54,9	58,4	32,7	42,3	58,4	32,2	42,3
	32	D (8)	24	(7)	54,9	58,4	32,7	42,3	58,4	32,2	42,3
36	36	B	28	2 1/16-16 UNS	64,6	67,7	38,0	47,1	67,7	38,0	47,1
	36	R	28	2 1/16-20 UNS	64,6	67,7	38,0	47,1	67,7	38,0	47,1
	36	C	28	2 1/8-16 UN	64,6	67,7	38,0	47,1	67,7	38,0	47,1
	36	A	28	2 1/8-18 UNS	64,6	67,7	38,0	47,1	67,7	38,0	47,1
	36	D (8)	28	(7)	64,6	67,7	38,0	47,1	67,7	38,0	47,1
40	40	B	28	2 5/16-16 UN	70,6	72,2	41,1	49,3	72,2	41,1	49,3
	40	A, C, R	28	2 3/8-16 UN	70,6	72,2	41,1	49,3	72,2	41,1	49,3
	40	D (8)	28	(7)	69,3	72,2	41,1	49,3	72,2	41,1	49,3
44	44	-	28	2 5/8-16 UN	82,0	77,6 MAX	41,1	61,5 MAX	72,2	41,1	61,5 MAX
48	48	C	28	2 13/16-18 UNS	82,0	84,0 MAX	44,1	61,5 MAX	75,5	40,8	61,5 MAX
	48	A, R	28	2 7/8-16 UN	82,0	84,0 MAX	47,2	61,5 MAX	75,5	40,8	61,5 MAX
	48	D (8)	28	(7)	82,0	84,0 MAX	47,2	61,5 MAX	75,5	40,8	61,5 MAX

TABLE 2

ENTRY SIZE	ØK MAX	ØZ REF	ØY REF	H ±0,5	M ±0,5	J ±0,5	THESE DIMENSIONS APPLY IF BACKSHELL IS STAINLESS STEEL OR NICKEL ALUMINIUM BRONZE		
							H ±0,5	M ±0,5	J ±0,5
03	NA	4,77	13,1	NA	NA	NA	NA	NA	NA
04	NA	6,35	13,1	NA	NA	NA	NA	NA	NA
05	21,0	7,92	13,1	24,0	15,5	25,7	24,3	17,2	25,7
06	21,0	9,52	17,9	24,0	15,5	25,7	24,3	17,2	25,7
07	21,0	11,12	17,9	24,0	15,5	25,7	24,3	17,2	25,7
08	24,5	12,70	17,9	27,0	17,0	27,2	28,3	19,4	27,2
09	24,5	14,27	17,9	27,0	17,0	27,2	28,3	19,4	27,2
10	29,0	15,87	24,2	31,0	19,5	28,7	31,1	21,0	28,7
11	32,5	17,47	24,2	34,0	21,0	30,4	34,2	22,8	30,4
12	32,5	19,05	24,2	34,0	21,0	30,4	34,2	22,8	30,4
13	35,5	20,62	24,2	35,0	20,0	32,1	38,5	25,3	32,1
14	35,5	22,23	30,6	35,0	20,0	32,1	38,5	25,3	32,1
15	37,0	23,82	30,6	38,0	21,5	33,7	40,7	26,1	33,7
16	37,0	25,40	30,6	38,0	21,5	33,7	40,7	26,1	33,7
17	40,0	26,98	33,2	42,0	24,0	35,2	43,7	27,6	35,2
18	40,0	28,60	33,2	42,0	24,0	35,2	43,7	27,6	35,2
20	43,5	31,80	42,0	45,0	25,5	36,7	46,4	29,1	36,7
21	48,5	33,34	42,0	54,5	31,0	39,8	50,0	31,0	39,8
22	48,5	35,00	42,0	54,5	31,0	39,8	50,0	31,0	39,8
24	52,1	38,10	42,0	58,0	33,0	43,8	53,5	33,0	43,8
28	58,5	44,45	49,0	65,5	36,5	48,9	60,3	36,5	48,9

TABLE 3

MFR CODE	CONNECTOR MANUFACTURER (MS 3100, MS 3101 & MS 3106)
A	AMPHENOL - CLASS A
B	BENDIX - CLASS A, E & R
C	CANNON - CLASS A, E & R
D	MFR UNKNOWN, CLASS A, E & R
R	AMPHENOL - CLASS R
-	MFR CODE NOT REQUIRED

DRAWN	B.VESA	DATE	08/10/2015	 <p>3RD ANGLE PROJECTION NOT TO SCALE</p>												
CHECKED		DATE	08/10/2015													
APPROVED	K.SHEPPARD	DATE	16/10/2015													
APPROVED	H.SMITH	DATE	23/10/2015													
<p>UNLESS OTHERWISE SPECIFIED ALL DIMENSIONS IN MILLIMETRES</p> <p>GENERAL TOL</p> <p>LINEAR +/-0,25MM</p> <p>ANGULAR +/- 1°</p>																
<p>REVISIONS</p> <table border="1"> <thead> <tr> <th>LTR</th> <th>DESCRIPTION</th> <th>DATE</th> <th>APPROVED</th> </tr> </thead> <tbody> <tr> <td>D</td> <td>REVISED PER ECO-14-008400</td> <td>04.06.14</td> <td>I.MYONG</td> </tr> <tr> <td>E</td> <td>REVISED PER ECO-15-015326</td> <td>23.10.15</td> <td>H.SMITH</td> </tr> </tbody> </table>					LTR	DESCRIPTION	DATE	APPROVED	D	REVISED PER ECO-14-008400	04.06.14	I.MYONG	E	REVISED PER ECO-15-015326	23.10.15	H.SMITH
LTR	DESCRIPTION	DATE	APPROVED													
D	REVISED PER ECO-14-008400	04.06.14	I.MYONG													
E	REVISED PER ECO-15-015326	23.10.15	H.SMITH													
<p>TE CAGE CODE: 06090</p> <p>POLAMCO/TE CAGE CODE: U5792</p>																

<p>TITLE:</p> <p>BRAID TAIL BACKSHELL</p>	
<p>ASSY USED ON:</p> <p>MIL-DTL-5015D</p>	
<p>TE CONNECTIVITY - POLAMCO LTD RESERVES THE RIGHT TO AMEND THIS DRAWING AND THE INFORMATION SET FORTH HEREON AT ANY TIME. USERS SHOULD INDEPENDENTLY EVALUATE THE SUITABILITY OF THE PRODUCT FOR THEIR APPLICATION.</p>	



Polamco
connectivity

DRAWING NO:	DRAWING REV:	SHT
218M9XX	E	3