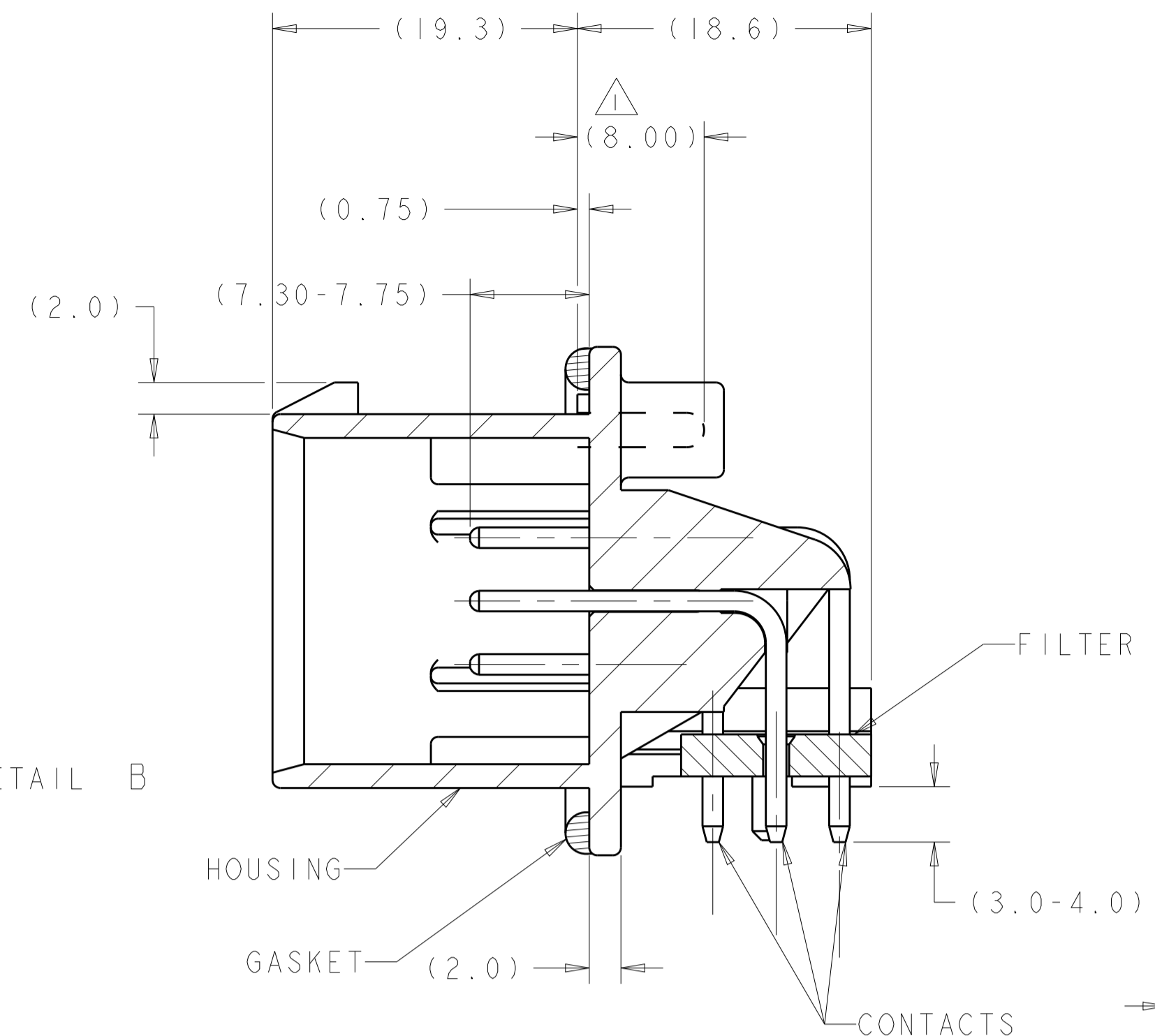
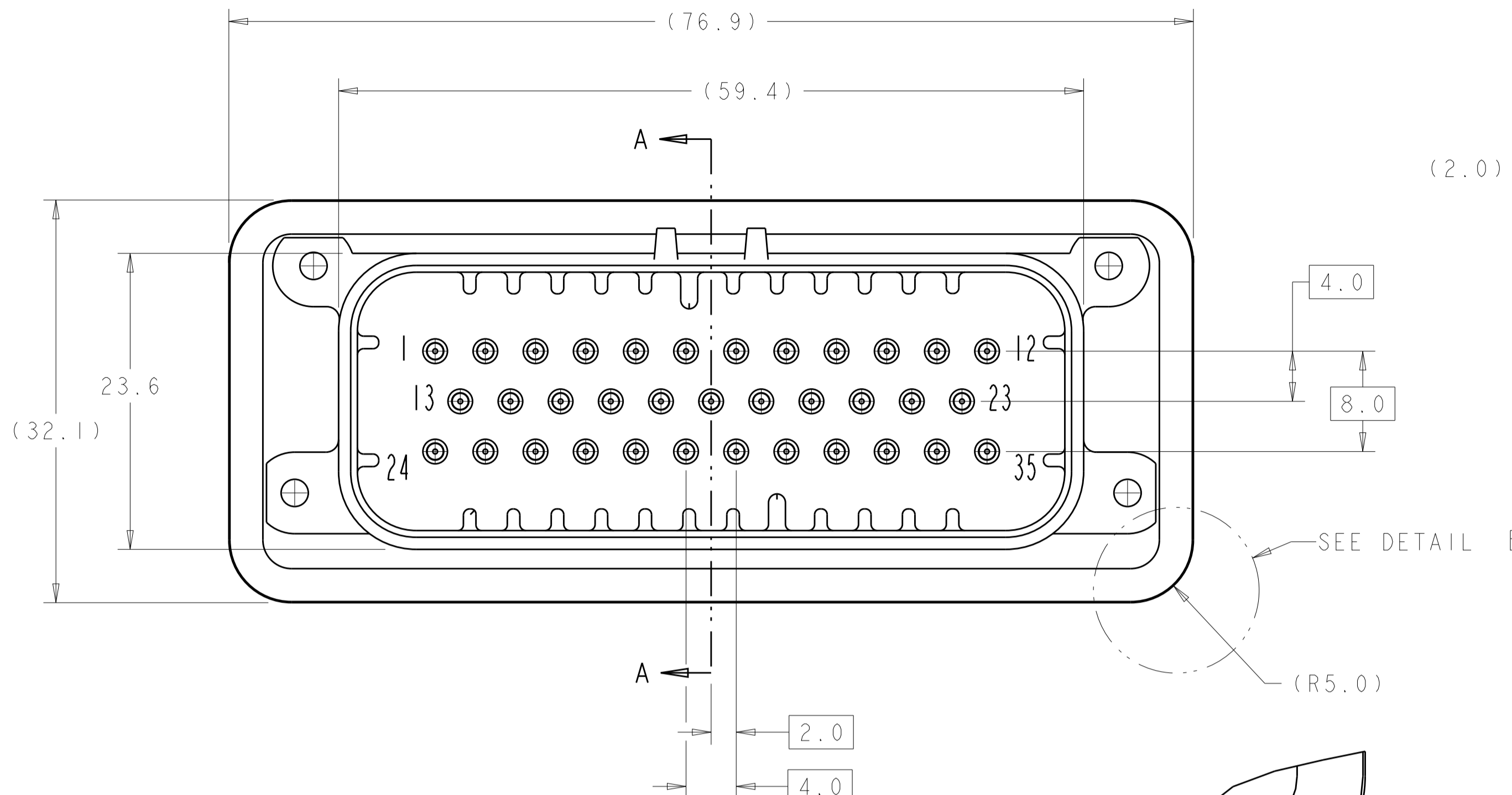
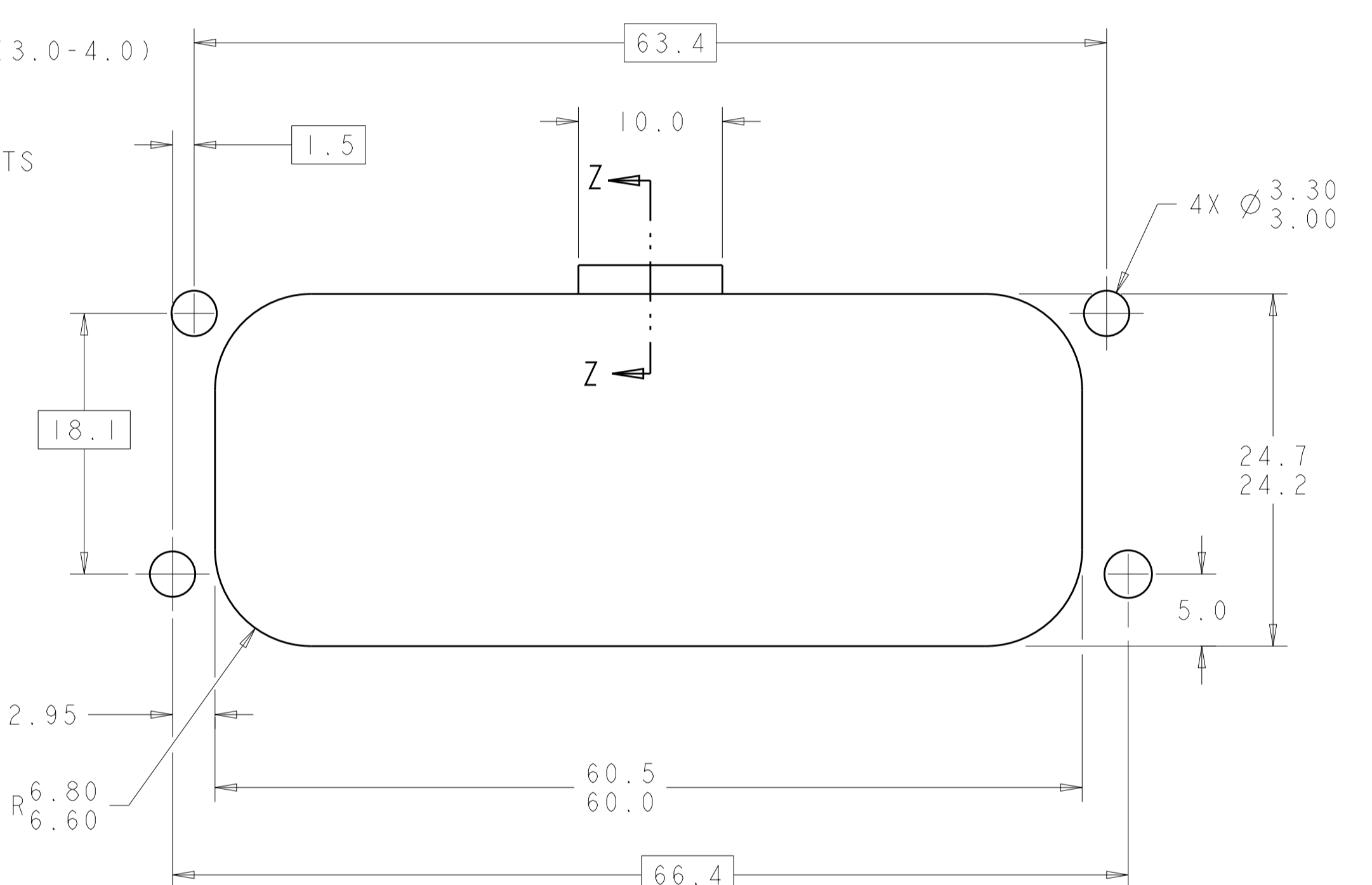
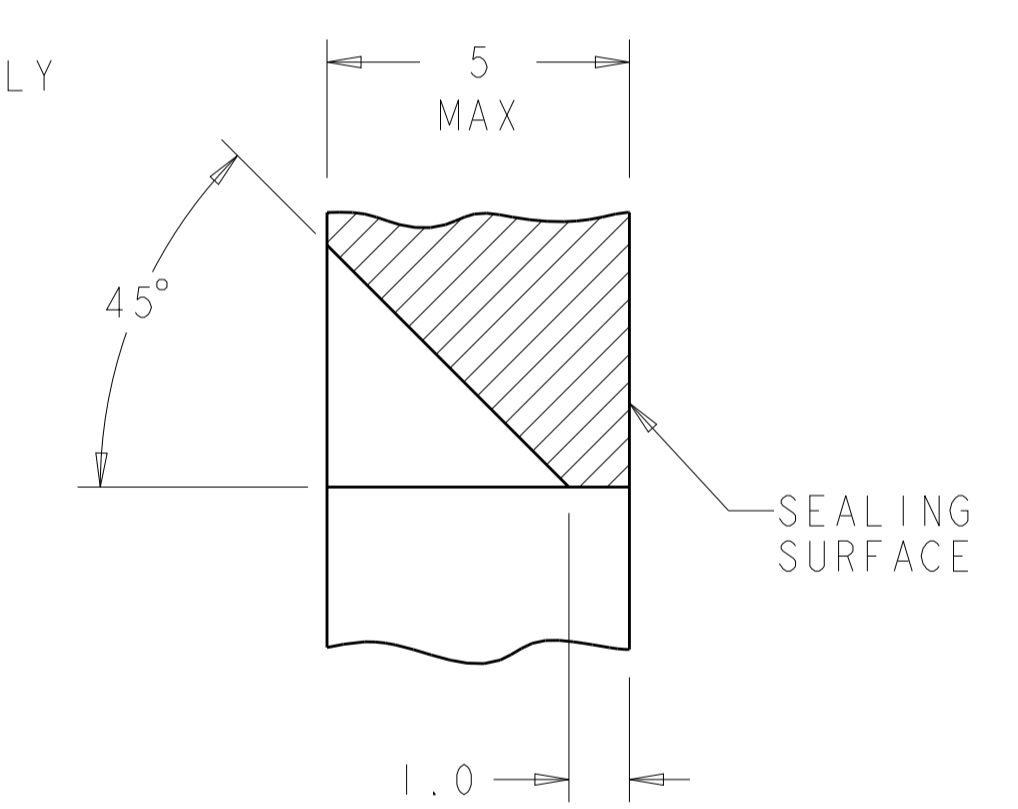
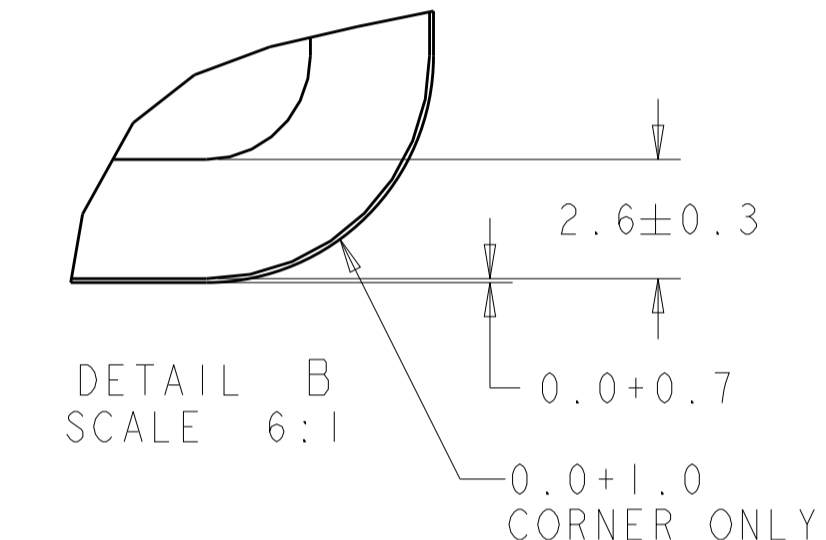
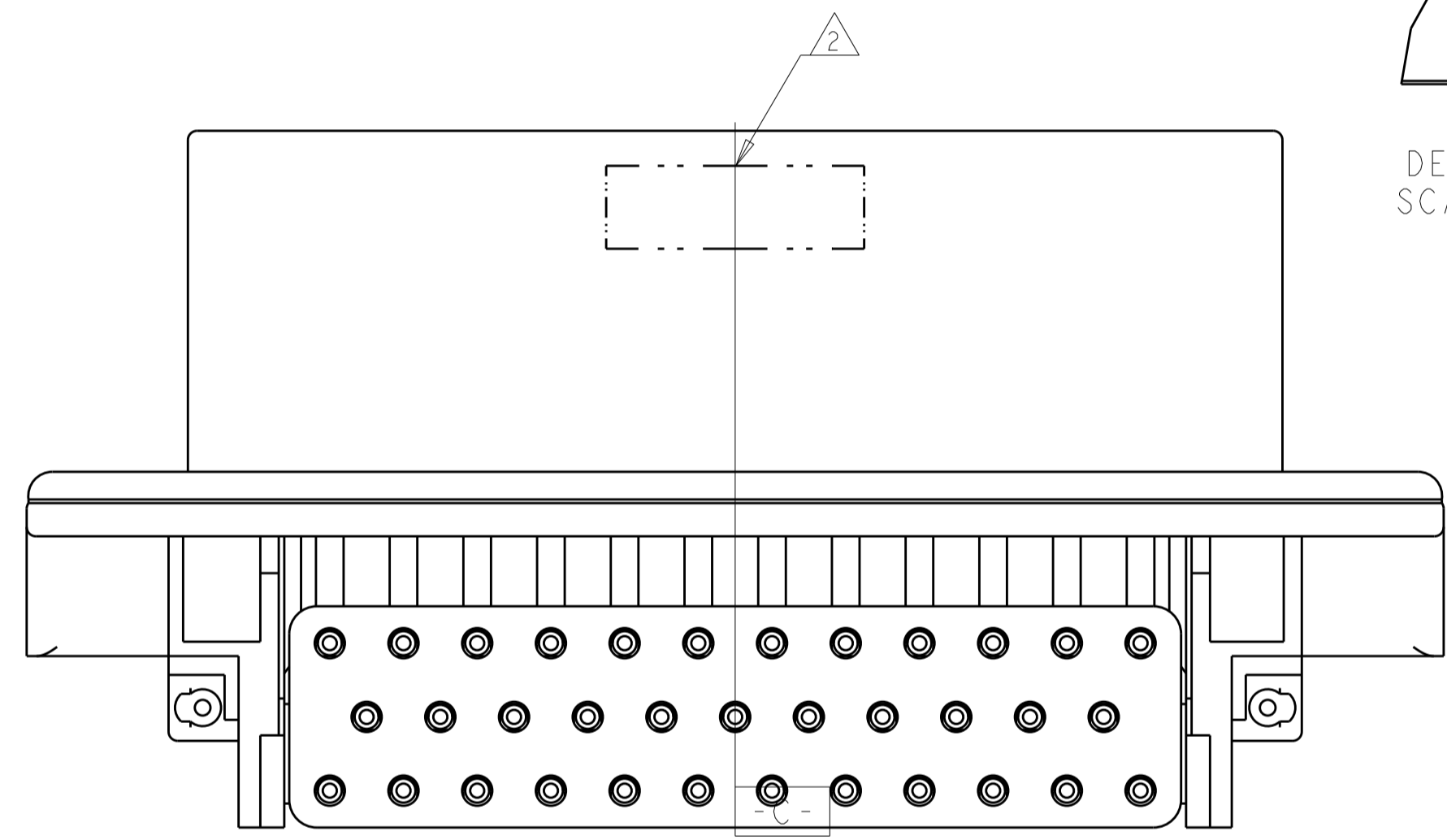


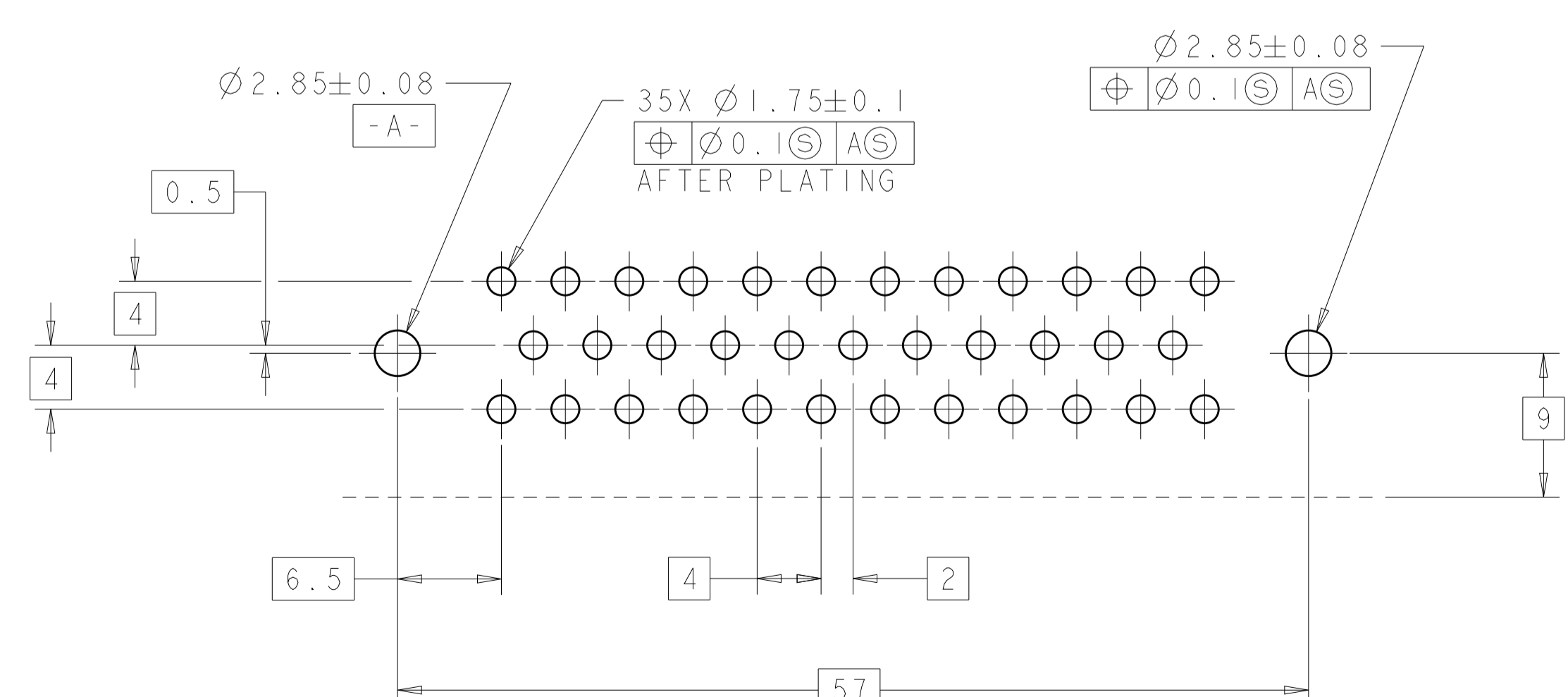
LOC	DIST	REVISIONS			
		REV	DATE	BY	CHKD
GE	00	A1	19JUN2003	RGV	MPT
		A2	29MAY2012	DD	DS
		A3	20AUG2019	DS	DS



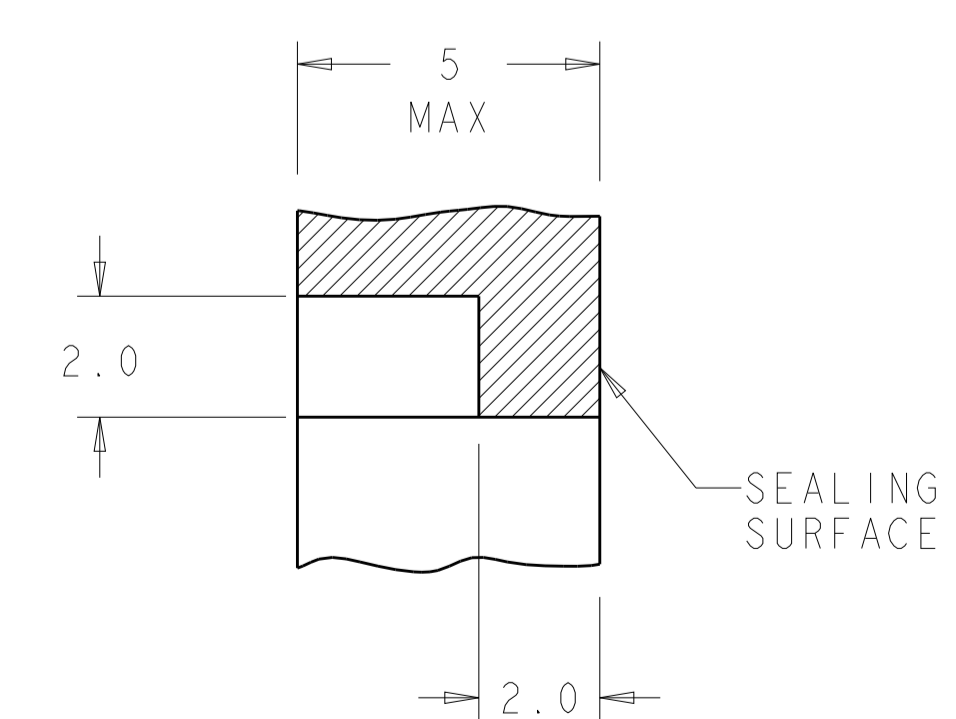
- △ ACCEPTS #4 SELF TAPPING THREAD FORMING SCREW OR METRIC EQUIVALENT TO BE DRIVEN AT 0.6±0.2 N-M.
- △ DATE CODE IN THIS LOCATION USING 5 DIGIT CODE FIRST 2 DIGITS = YEAR, SECOND 2 DIGITS = WEEK LAST DIGIT = DAY
- △ HOUSING COLORS ARE MECHANICALLY KEYS TO MATE ONLY WITH IDENTICALLY COLORED PLUG ASSEMBLIES.
- △ MATERIAL: HEADER HOUSING - GLASS FILLED PBT  
 PINS - TIN OR GOLD PLATED BRASS  
 GASKET - SILSCONE  
 FILTER - PBT
- 5. HEADER MATES TO PLUG ASSEMBLY 776164 WHICH USES REELED TERMINAL 770520 OR LOOSE PIECE TERMINAL 770854



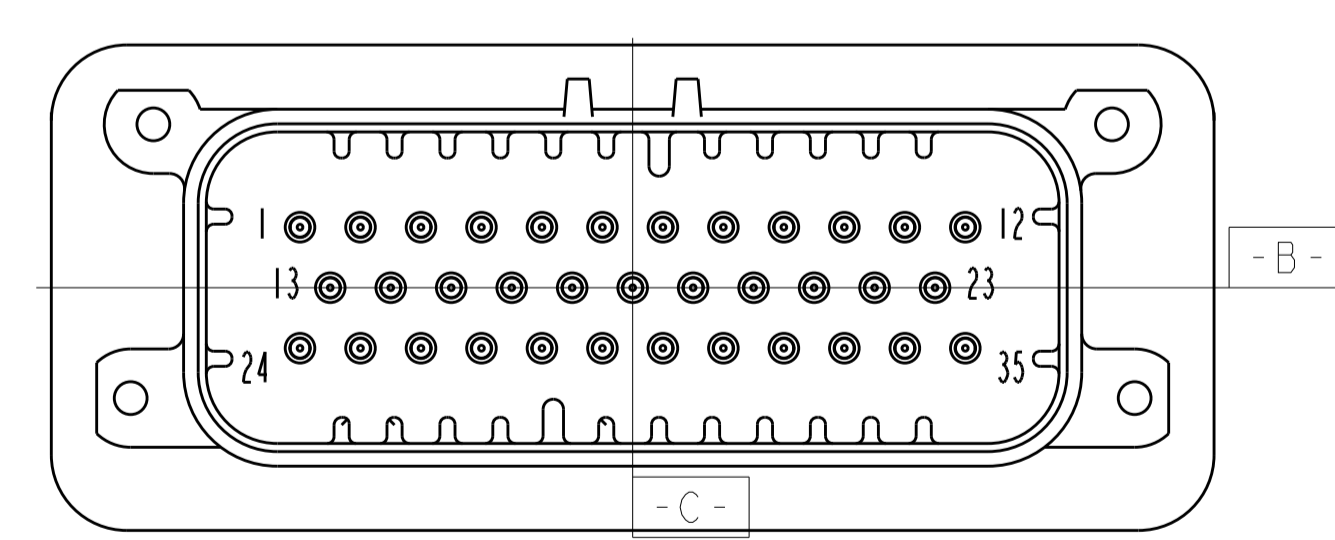
SECTION Z-Z  
 OPTIONAL CONSTRUCTION IF THICKNESS IS GREATER THAN 2.0  
 SCALE 8:1



RECOMMENDED P.C. BOARD LAYOUT  
 FOR 1.57 THICK P.C. BOARD



SECTION Z-Z  
 OPTIONAL CONSTRUCTION IF THICKNESS IS GREATER THAN 2.0  
 SCALE 8:1



1-776339-2  
 KEY LOCATION AS SHOWN

1-776339-1 AS SHOWN

OBSOLETE

DURAGOLD	NATURAL (WHITE)	1-776339-2
DURAGOLD	BLACK	1-776339-1
FINISH	HOUSING COLOR	PART NUMBER

**STE** TE Connectivity

THIS DRAWING IS A CONTROLLED DOCUMENT.		OWN: R. VESTAL 31DEC2002	NAME: HEADER ASSEMBLY, 35 POSITION, RIGHT ANGLE, HIGH TEMPERATURE, AMPSEAL
DIMENSIONS: mm		CHK: D. CROWE 31DEC2002	PRODUCT SPEC: 108-1329
TOLERANCES UNLESS OTHERWISE SPECIFIED:		APVD: D. CROWE 31DEC2002	APPLICATION SPEC: 114-16016
0 PLC	±	PRODUCT NO: 114-16016	RESTRICTED TO: A100779
1 PLC	±0.3	WEIGHT:	CAGE CODE: 776339
2 PLC	±0.13	CUSTOMER DRAWING	SCALE: 2:1
3 PLC	±		SHEET 1 OF 1
4 PLC	±		REV A3
ANGLES	±		
FINISH	△		