
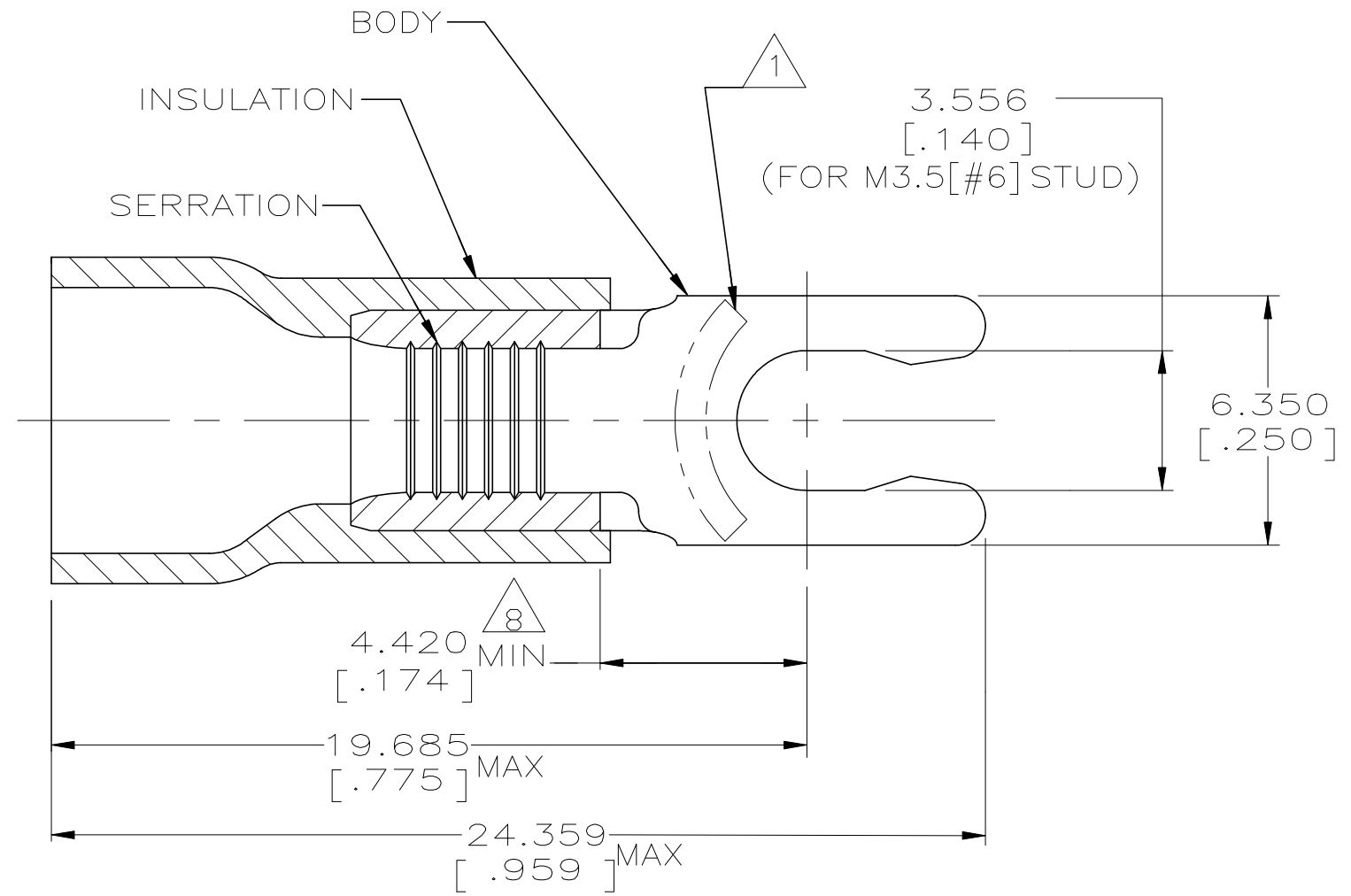



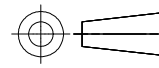
REVISIONS				
P	LTR	DESCRIPTION	DATE	APVD
	K	REVSED PER ECR-23-163311	09MAR2023	BB DSC

AMP WIRE RANGE	 Listed FILE E13288
12-10 AWG SOLID OR STRANDED	12 AWG STRANDED



- ① STAMP 6S AMP 12-10* APPROX AS SHOWN
- 2. WIRE INSULATION DIAMETER, $\phi 3.810 [.150]$ TO $\phi 6.350 [.250]$
- 3. BODY MATERIAL THK: $1.016 \pm 0.051 [.040 \pm .002]$
- ④ TIN PLATE $0.00254 [.000100]$ MIN EXT THK PER ASTM B545
- 5 NOTE DELETED
- 6 NOTE DELETED
- ⑦ MATERIAL: BODY - BRASS PER ASTM B36
INSUALTION - PVC, COLOR - YELLOW
- ⑧ APPLIES FROM EDGE OF METAL WIRE BARREL TO CENTER OF STUD HOLE

④	2500	ON TAPE, REEL	53246-2
④	500	LOOSE PIECE	53246-1
FINISH	QTY	PACKAGE TYPE	PART NO

AMP INCORPORATED CUSTOMER SERVICE SYSTEMS		MAX RECOMMENDED OPERATING TEMPERATURE: 105°C [221°F]	THIS DRAWING IS A CONTROLLED DOCUMENT.		DWN L OLMEDA 26JUN95 CHK M ELLIS 26JUN95 APVD G NGO 26JUN95	 TE Connectivity				
FOR ADDITIONAL PRODUCT INFORMATION OR COPIES OF DRAWINGS AND TECHNICAL DOCUMENTS	PRODUCT INFORMATION CENTER 1-800-522-6752	VOLTAGE RATING: 600V MAX (1000V FIXTURE OR SIGN)	DIMENSIONS: mm [INCHES]	TOLERANCES UNLESS OTHERWISE SPECIFIED: 0 PLC ± - 1 PLC ± - 2 PLC ± - 3 PLC ± 0.127[.005] 4 PLC ± - ANGLES ± -	PRODUCT SPEC UL 486A-B	NAME TERMINAL, SPRING SPADE, SHORT, PLASTI-GRIP WIRE SIZE: 12-10 AWG				
FOR APPLICATION TOOLING INFORMATION	TOOLING ASSISTANCE CENTER 1-800-722-1111	CIRCULAR MIL AREA: 2.62-6.64mm² [5,180-13,100] SOLID OR STRANDED		MATERIAL ⑦	FINISH SEE TABLE	APPLICATION SPEC 114-2161	SIZE A3	CAGE CODE 00779	DRAWING NO G-53246	RESTRICTED TO -
FOR ORDER ENTRY	1-800-526-5142	THIS DRAWING IS A CONTROLLED DOCUMENT FOR AMP INCORPORATED. IT IS SUBJECT TO CHANGE AND THE CONTROLLING ENGINEERING ORGANIZATION SHOULD BE CONTACTED FOR THE LATEST REVISION.		CUSTOMER DRAWING	SCALE 6:1	SHEET 1 OF 1	REV K			