

DWG. NO. SD-55022-002

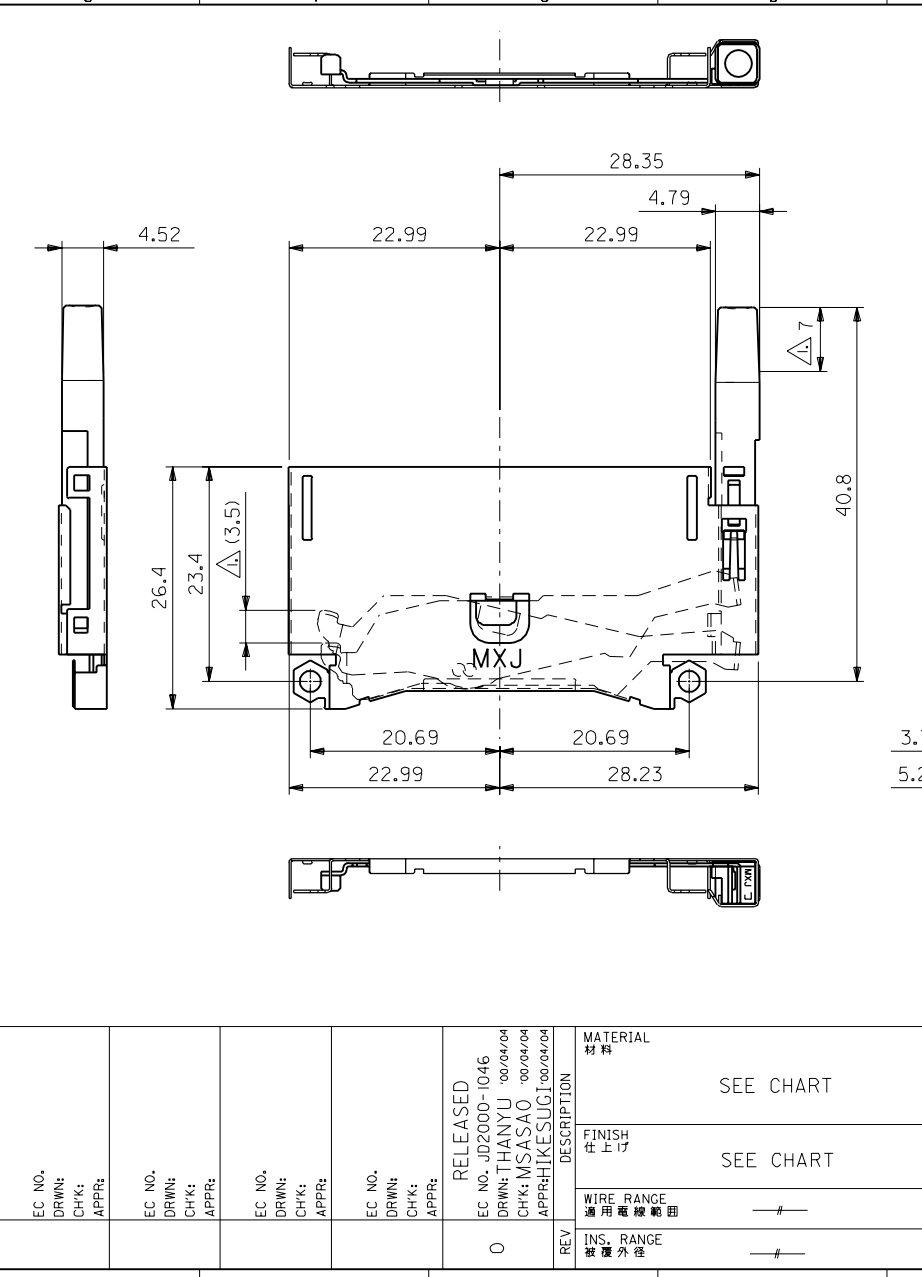
E

D

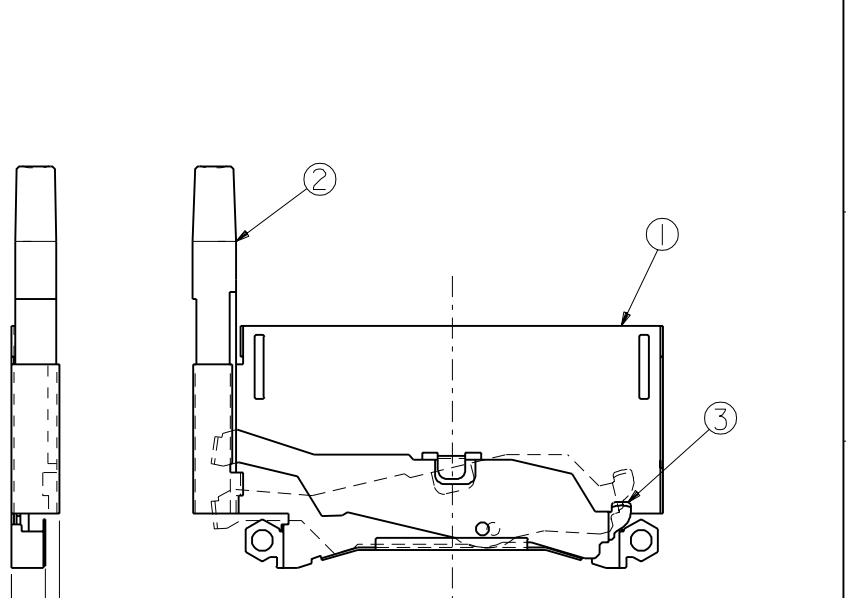
C

B

DO NOT SCALE DRAWING



| No. | 品名 NAME | 材料 MATERIAL | 仕上げ FINISH | 個数 PIECE |
|-----|-------------|---|---------------|-------------|
| 1 | METAL SHELL | ステンレス鋼 t 0.254 STAINLESS STEEL t 0.254 | — | 1 |
| 2 | BUTTON | ガラス入りポリエスチル UL94V-0 PBT G.F. UL94V-0 | — | 1 |
| 3 | LEVER | ステンレス鋼 t 0.4 STAINLESS STEEL t 0.4 | — | 1 |



注)
NOTES

△ ボタンストロークが 7mm の時、カード飛び出し量は (3.5mm)。
WHEN BUTTON PUSH STROKE IS 7mm, CARD OUT BY (3.5mm).

2. 適合HEADER ASS'Y : 53856-5010,53927-5010
APPLICABLE HEADER ASS'Y : 53856-5010,53927-5010

| | |
|--------------|--------------|
| YELLOW | 55022-0003 |
| BLACK | 55022-0001 |
| BUTTON COLOR | MATERIAL No. |

| EC NO. DRWN: CHK: APPR: | EC NO. DRWN: CHK: APPR: | EC NO. DRWN: CHK: APPR: | EC NO. DRWN: CHK: APPR: | REV | DESCRIPTION | MATERIAL 材料 | GENERAL TOLERANCES: (UNLESS SPECIFIED) 一般公差 | SCALE | DESIGN UNITS | THIRD ANGLE PROJECTION | DIMENSIONS: | SHT | REV |
|--|----------------------------------|----------------------------------|----------------------------------|-----|---|----------------------|---|-------|--|---|-------------------------|-----|-----|
| | | | | 0 | RELEASED EC No. JD2000-1046 DRWN: THANYU '00/04/04 CHK: MSASAO '00/04/04 APPR: HIKESUGI '00/04/04 | SEE CHART | 10 UNDER 未満 | 2-1 | <input checked="" type="checkbox"/> mm <input type="checkbox"/> INCH | <input type="checkbox"/> mm <input type="checkbox"/> INCH <input checked="" type="checkbox"/> mm ONLY | REVISION ON CAD ONLY | | |
| | | | | | | FINISH 仕上り | 10 OVER 以上 | | | | | | |
| | | | | | | WIRE RANGE 適用電線総称 | 30 UNDER 未満 | | | | | | |
| | | | | | | INS. RANGE 被覆外径 | 30 OVER 以上 | | | | | | |
| | | | | | | | ANGLE 角度 | | | | | | |
| DRAWN BY & DATE <i>J. Hanaya</i> '00/04/04 | | | | | | | | | | TITLE: CF CARD CONN. SHELL ASS'Y (FOR LEFT SIDE BUTTON) | | | |
| CHECKED BY & DATE <i>H. Saito</i> '00/04/04 | | | | | | | | | | APPROVED BY & DATE <i>H. Hanaya</i> '00/04/04 | | | |
| CAD FILE NAME SD-55022-002.S01 | | | | | | | | | | MATERIAL NO. SEE CHART | | | |
| | | | | | | | | | | DRAWING NO. SD-55022-002 | | | |
| | | | | | | | | | | SHEET NO. 1 OF 1 | | | |
| | | | | | | | | | | SIZE B | | | |

EN-02J(O97) MXJ-54

SD-55022-002-591