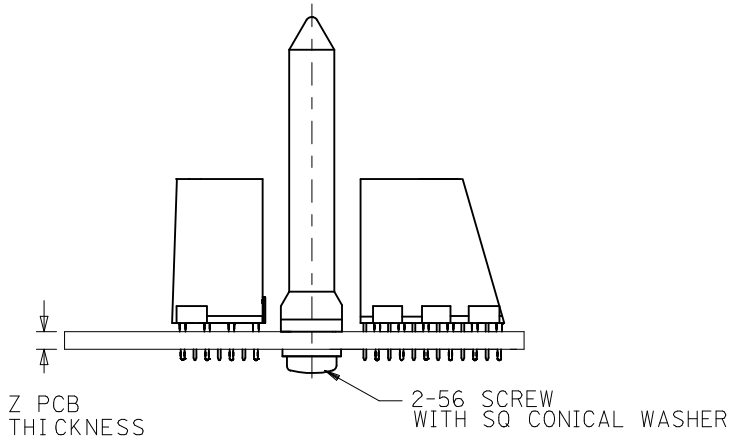
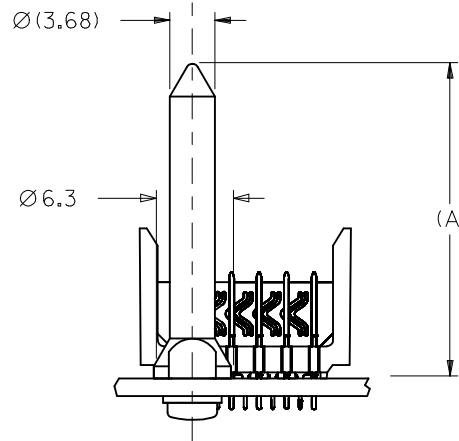


BACKPLANE HOLE PATTERN
FREE STAND GUIDE PIN

KIT NUMBER	DIM Z BOARD THICKNESS	DIM A
74076-0004	>4.0-9.00	25.8
74076-0008	>4.0-9.00	19.9



NOTES:

- PARTS TO BE BULK PACKED, 500 PIECES PER BAG. SCREWS AND GUIDE PINS BAGGED SEPARATELY.
- MATERIAL: SCREW AND GUIDE PIN ARE STAINLESS STEEL.
- SCREW HAS A CHEMICAL THREAD LOCKER APPLIED.

MATE WITH		DIM C
VHDM 6 ROW	GUIDE MODULE	9.96
	GROUND MODULE	9.26
	JOINER MODULE	9.26
VHDM 8 ROW	GUIDE MODULE	11.75
	GROUND MODULE	11.75
	JOINER MODULE	11.75

ADD PART EC NO: UCP2009-0672 DRWN: JBINGHAM 2008/09/18 CHKD: 2008/09/19 APPR: JLAURX 2008/09/19 B	QUALITY SYMBOLS ▽=0 ▽=0	GENERAL TOLERANCES (UNLESS SPECIFIED)		DIMENSION STYLE MM ONLY		SCALE 2.5:1	DESIGN UNITS METRIC	THIRD ANGLE PROJECTION	
		4 PLACES ± --- ± --- 3 PLACES ± --- ± --- 2 PLACES ± 0.10 ± --- 1 PLACE ± 0.15 ± ---	mm INCH	DRAWN BY JBINGHAM	DATE 2005/06/29	TITLE VHDM BACKPLANE FREE STANDING GUIDE PIN SALES DRAWING			
		ANGULAR ± 3 °		CHECKED BY KMULVEY	DATE 2005/06/29	MOLEX INCORPORATED			
		DRAFT WHERE APPLICABLE MUST REMAIN WITHIN DIMENSIONS		APPROVED BY SREED	DATE 2005/06/29	MATERIAL NO. SEE TABLE	DOCUMENT NO. SD-74076-004	SHEET NO. 1 OF 1	