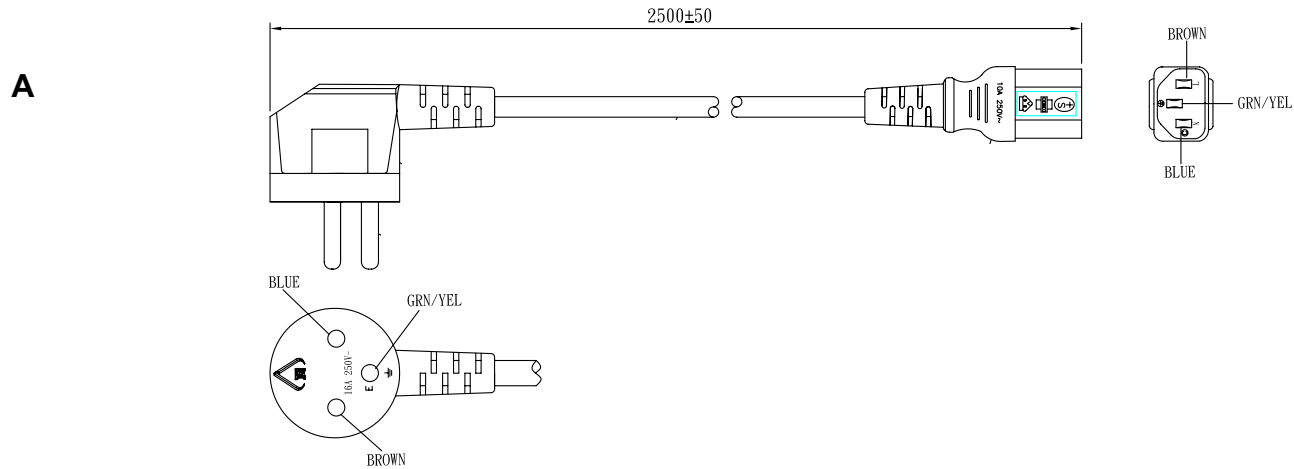


PROPRIETARY INFORMATION:
 PROPRIETARY OF GLOBTEK, INC. ANY REPRODUCTION, DISCLOSURE OR USE OF THIS DRAWING, IN WHOLE OR IN PART, IS HEREBY PROHIBITED EXCEPT AS SPECIFIED IN WRITING BY GLOBTEK, INC.

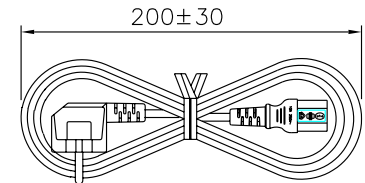
REVISION			
REV	DESCRIPTION	DATE	APPROVED
A	INITIAL RELEASE	12/13/01	PS
B	REDRAW TO NEW FORMAT, RFS. 4002, DMR	07/07/04	BS
C	ADD ROHS, RFS. 14728, EM	10/02/08	BS
D	UPDATE DRW, RFS. 17566, EM	11/23/09	BS



GENERAL SPECIFICATIONS:

- RATING: 10A / 250V AC
- CABLE TYPE / SIZE: H05VVf 3 X1.0 mm²
- TEMPERATURE RATING: 70° C
- CONDUCTOR COLORS: BLUE / BROWN / GREEN-YELLOW
- CABLE JACKET COLOR: BLACK
- OVERALL LENGTH (L): 2500 ± 50 mm
- CABLE OUTER DIAMETER: 7.0 ± 0.1 mm
- END 'A' PLUG: ISRAELI 3 PINS / RIGHT ANGLE ISL 377C
- END 'B': IEC 320 / C13
- APPROVALS PLUG: SII
- APPROVALS CABLE: VDE, N, S, D, FI, KEMA, SAA, SEV, CEBEC, OVE
- APPROVALS CONNECTOR: VDE, N, S, D, FI, NSI, KEMA, SEV, SAA, IMQ, CEBEC, OVE CE

**PACKING:
HANKING**



NOTE:
 PLUG MUST BE MARKED WITH APPROVAL SYMBOL:



DASH NO.	PART NO	REV.	DESCRIPTION	NOTES
TABULATION BLOCK				
		TOLERANCES: DECIMALS ANGULAR .xx +/- 0.1 +/- 1° .xxx +/- .005		GlobTek, Inc. www.globtek.com 186 Veterans Dr. Northvale, NJ 07647 Tel. 201-784-1000 Fax 201.784.0111
		MILLIMETERS ANGULAR .xx +/- 0.3 +/- 1° .xxx +/- .013		
INIT.BY: DMR	DATE: 07/07/04	DWG TITLE: ISRAELI DETACHABLE CORDSET		
DRAWN: NF	DATE: 07/07/04	FSCN No.: G, YL	SIZE: A	REV. D
APRVD: BS	DATE: 07/07/04	SCALE: NONE	PART NO: 377C4272M5701(R)	SHEET 1/1

Foot Note:
 Globtek Inc. will not be liable for the safety and performance of these power product if unauthorized access and repair occurs. End user should consult the applicable UL, CSA or EN Standards for proper installation instruction.

Limitation of Use:
 Globtek product are not authorized for use as mission critical components in life support, hazardous environment, nuclear or aircraft applications without prior written approval from the CEO of Globtek Inc.

Contents of this document are subject to change without prior notice