

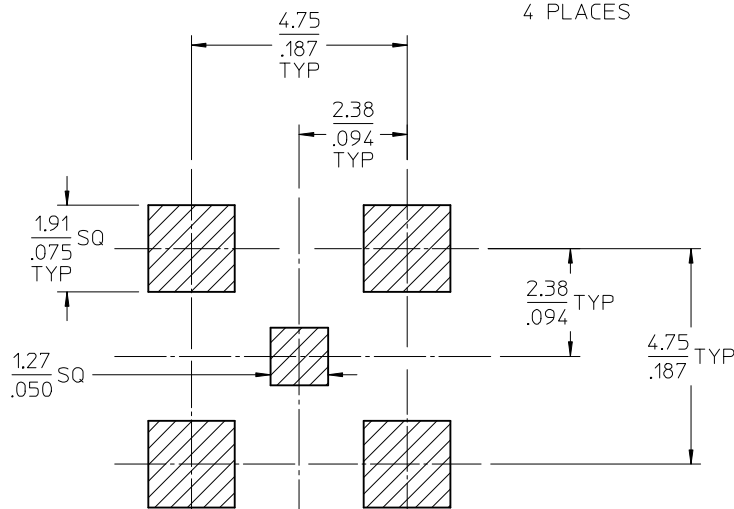
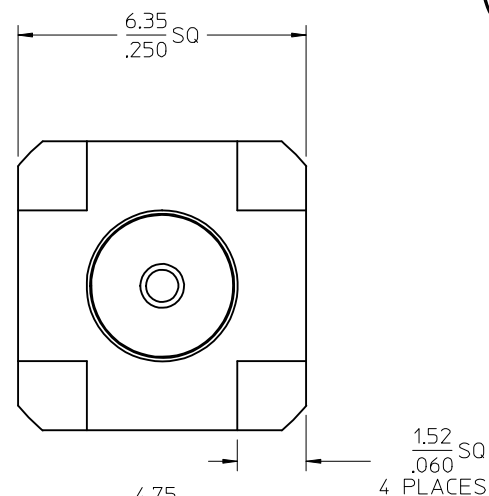
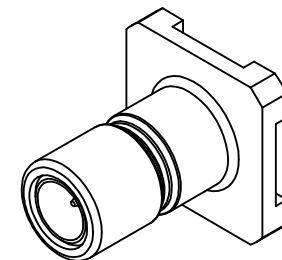
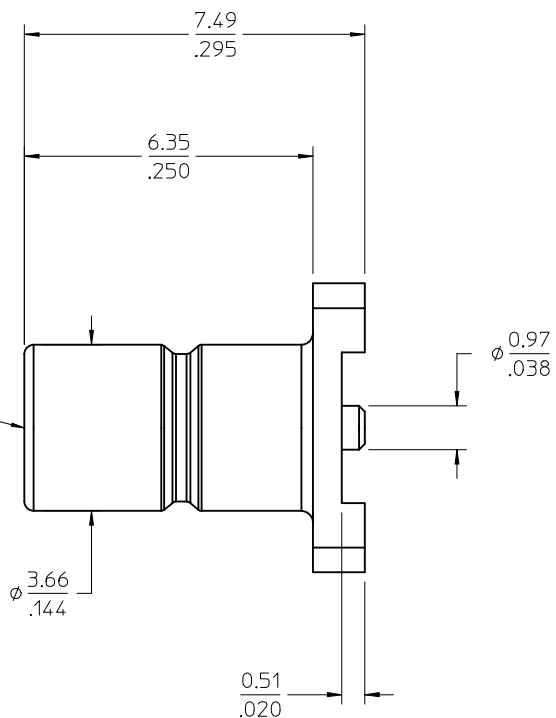
MATERIALS AND FINISHES

BODY: BRASS
PLATED GOLD

CONTACT: BRASS
PLATED GOLD

INSULATOR: TEFLON

SMB JACK
INTERFACE
50 OHM



RECOMMENDED PCB LAYOUT

73404-1892	TAPE AND REEL WITH KAPTON TAPE
73404-1891	TAPE AND REEL (NO KAPTON TAPE)
73404-1890	TRAY
PART NO.	PACKAGING

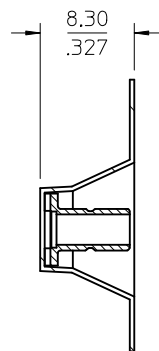
PS-89675-3540	PRODUCT SPECIFICATION
MIL-STD-348A, FIG. 311.1	INTERFACE
SPECIFICATION	DESCRIPTION

CHG ADDED PACKAGE DRAWING PER RF15-E137 EC NO: URF2015-0462 DRAWN IN: DRWINELIN 2015/02/26 CHKD: CHKD: 2015/03/04 APPR: YCHENG	DESCRIPTION
	REV
	A1

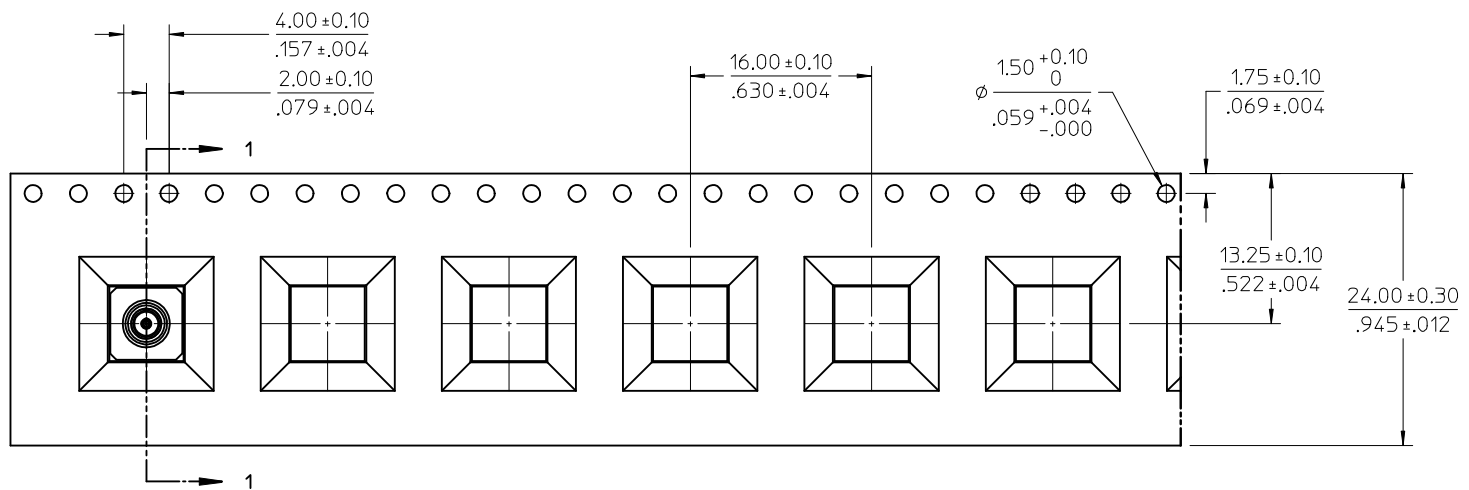
QUALITY SYMBOLS	$\nabla=0$ $\nabla=0$
GENERAL TOLERANCES (UNLESS SPECIFIED)	
	mm INCH 4 PLACES ± .005 ± .0005 3 PLACES ± .005 ± .0005 2 PLACES ± .005 ± .0005 1 PLACE ± .005 ± .0005
	ANGULAR ± 2°
DRAFT WHERE APPLICABLE MUST REMAIN WITHIN DIMENSIONS	

DIMENSION STYLE	
MM/IN	
DRAWN BY	DATE
JM	2005/09/26
CHECKED BY	DATE
JM	2005/09/26
APPROVED BY	DATE
JWIENER	2011/11/18
MATERIAL NO.	DOCUMENT NO.
SEE TABLE	SD-73404-189
SIZE	
THIS DRAWING CONTAINS INFORMATION THAT IS PROPRIETARY TO MOLEX INCORPORATED AND SHOULD NOT BE USED WITHOUT WRITTEN PERMISSION	

SCALE	DESIGN UNITS	THIRD ANGLE PROJECTION
	INCH	
TITLE		
SMB JACK 50 OHM VERTICAL PCB SMT EWR-2912, SMB-J/PCB		
MOLEX MOLEX INCORPORATED		
DOCUMENT NO.		SHEET NO.
SD-73404-189		1 OF 4

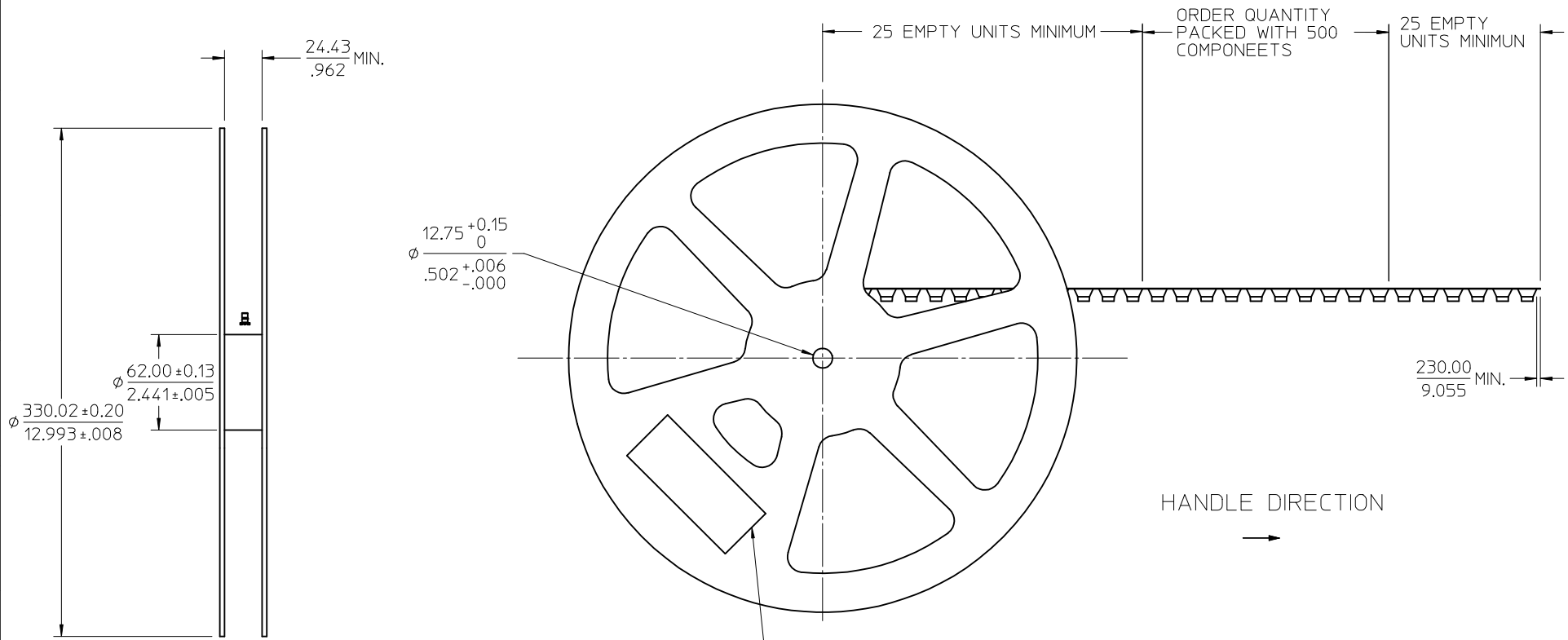


Section 1-1



Partial1
Scale 3:1

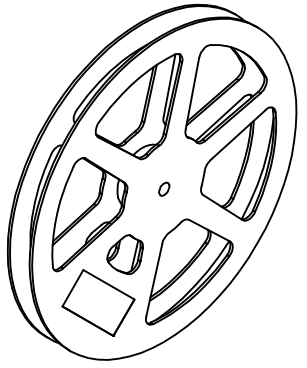
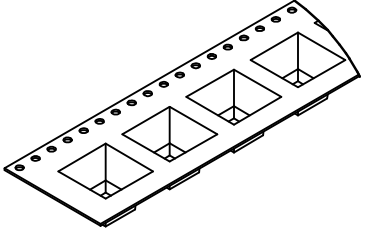
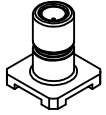
SEE SHEET 1 EC NO: URF2015-0462 DRAWN: LIN CHKD: APPR: YCHENG 2015/02/26 2015/03/04	QUALITY SYMBOLS ▽=0 ▽=0 ▽=0	GENERAL TOLERANCES (UNLESS SPECIFIED)		DIMENSION STYLE	SCALE	DESIGN UNITS	THIRD ANGLE PROJECTION	
				MM/IN	3:1	INCH		
				DRAWN BY	DATE	TITLE		
				CHECKED BY	DATE	SMB JACK 50 OHM VERTICAL PCB SMT EWR-2912, SMB-J/PCB		
		ANGULAR ± 2 °		APPROVED BY	DATE	molex		
		DRAFT WHERE APPLICABLE MUST REMAIN WITHIN DIMENSIONS		MATERIAL NO.	DOCUMENT NO.	SHEET NO.		
A1				SEE SHEET 1	SD-73404-189	2 OF 4		
		THIS DRAWING CONTAINS INFORMATION THAT IS PROPRIETARY TO MOLEX INCORPORATED AND SHOULD NOT BE USED WITHOUT WRITTEN PERMISSION						



HANDLE DIRECTION
→

- LABEL:
- ORDER
 - QUANTITY
 - PART NUMBER
 - LOT NO.

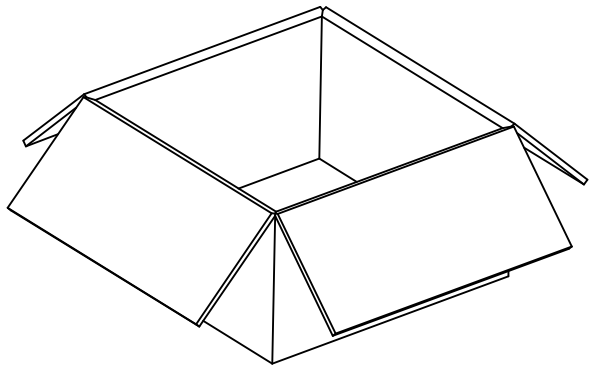
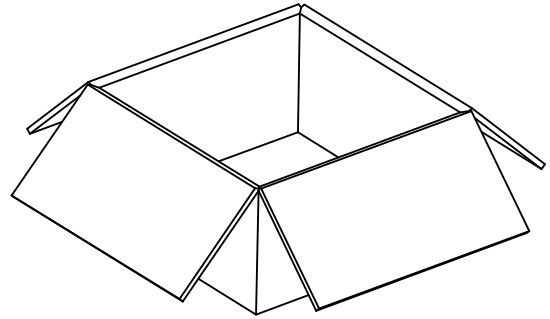
SEE SHEET 1 EC NO: URF2015-0462 DRAWN: LIN CHKD: APPR: YCHENG 2015/02/26 2015/03/04	QUALITY SYMBOLS	GENERAL TOLERANCES (UNLESS SPECIFIED)	DIMENSION STYLE	SCALE	DESIGN UNITS	THIRD ANGLE PROJECTION
	▽=0 ▽=0 ▽=0	mm INCH 4 PLACES ± --- ± --- 3 PLACES ± --- ± --- 2 PLACES ± --- ± --- 1 PLACE ± --- ± --- 0 PLACE ± ±	MM/IN	1:2	INCH	
	REV: A1	DESCRIPTION	ANGULAR ± 2 °	DRAWN BY	DATE	TITLE
			DRAFT WHERE APPLICABLE MUST REMAIN WITHIN DIMENSIONS	JM	2005/09/26	SMB JACK 50 OHM VERTICAL PCB SMT EWR-2912, SMB-J/PCB
			CHECKED BY	DATE		
			JM	2005/09/26		
			APPROVED BY	DATE		
			JWIENER	2011/11/18		
			MATERIAL NO.	DOCUMENT NO.		SHEET NO.
			SEE SHEET 1	SD-73404-189		3 OF 4
			THIS DRAWING CONTAINS INFORMATION THAT IS PROPRIETARY TO MOLEX INCORPORATED AND SHOULD NOT BE USED WITHOUT WRITTEN PERMISSION			



Partial2
Scale 1.5:1

500 SET PER 13" REEL

P/N: 73404-1891-1892



2000 SET PER INNER
CARTON BOX
343 X 343 X 188 REF.

2000 SET PER OUTER
CARTON BOX
394 X 391 X 212 REF.

SEE SHEET 1 EC NO: URF2015-0462 DRAWN: LIN 2015/02/26 CHKD: APPR: YCHENG 2015/03/04	QUALITY SYMBOLS	GENERAL TOLERANCES (UNLESS SPECIFIED)		DIMENSION STYLE	SCALE	DESIGN UNITS	THIRD ANGLE PROJECTION
	▽=0	mm	INCH	MM/IN	4:1	INCH	
	▽=0	4 PLACES ±	±	DRAWN BY	DATE	TITLE	
	▽=0	3 PLACES ±	±	JM	2005/09/26	SMB JACK 50 OHM VERTICAL PCB SMT EWR-2912, SMB-J/PCB	
REV	DESCRIPTION	ANGULAR ± 2 °		CHECKED BY	DATE	DOCUMENT NO.	
A1		DRAFT WHERE APPLICABLE MUST REMAIN WITHIN DIMENSIONS		JM	2005/09/26	SD-73404-189	
				APPROVED BY	DATE	SHEET NO.	
				JWIENER	2011/11/18	4 OF 4	
				MATERIAL NO.		THIS DRAWING CONTAINS INFORMATION THAT IS PROPRIETARY TO MOLEX INCORPORATED AND SHOULD NOT BE USED WITHOUT WRITTEN PERMISSION	
				SEE SHEET 1			