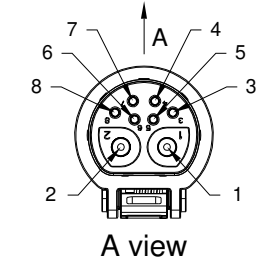
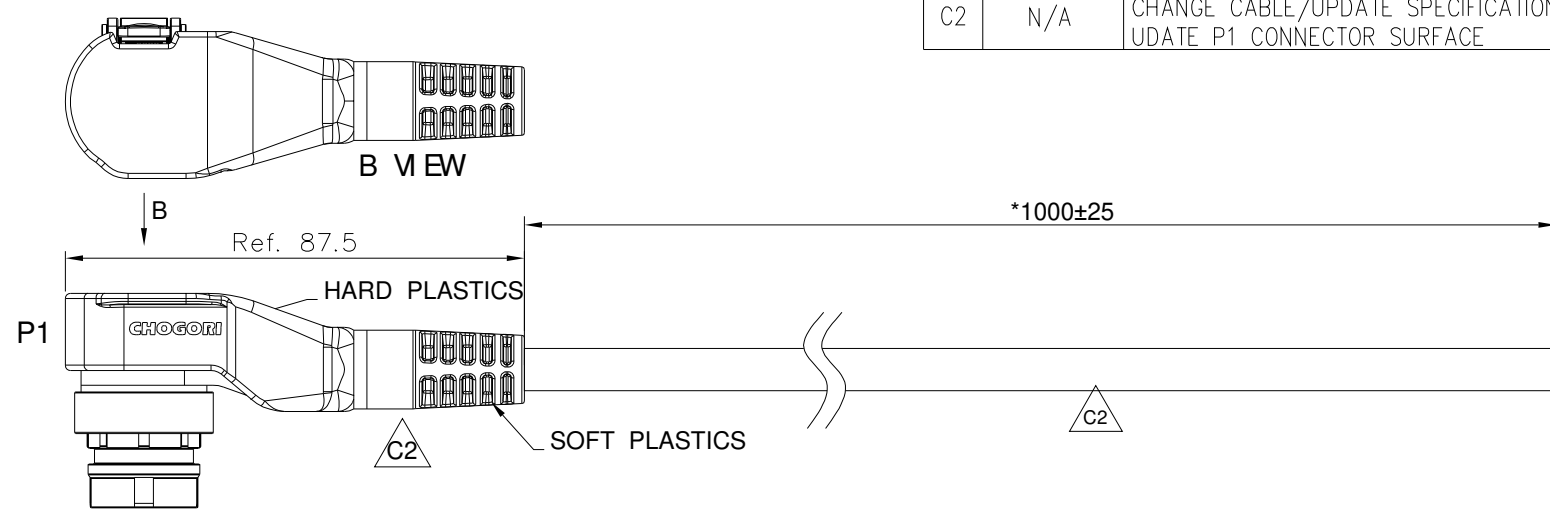


REV.	ECN NO.	DESCRIPTION	SIGN	DATE
C1	N/A	INITIAL DRAWING	Hu Zhou	2022.06.24
C2	N/A	CHANGE CABLE/UPDATE SPECIFICATIONS/ UPDATE P1 CONNECTOR SURFACE	Kevin_Rdz	2022/08/09



SPECIFICATIONS&TEST REQUIREMENTS

- TEMPERATURE RATING:-10 °C~105 °C
- CURRENT RATING :2*15A+6*2A
- VOLTAGE RATING:72V DC
- INSULATION RESISTANCE:20MΩ@500VDC,1MIN
- DIELECTRIC WITHSTANDING VOLTAGE:500VAC, 1MIN
- MATING CYCLE:10000CYCLES.
- WATERPROOF RATING:IP67(MATING).
- ROHS COMPLIANT.

2	900-00601-00140	A/R	M	R/W CABLE 2CX2. 5mm ² +4cx0. 14mm ² BLK CD9. 0
1	13206134-10-001	1	PC	KR Series 2+6 Left Lat ch Lock 90° Over modi ng Plug
ITEM	CHOGORI P/N	QTY	UNIT	DESCRIPTION

UNIT:mm		DESCRIPTION: KR Series 2+6 Left Lat ch Lock 90° Over modi ng Cabl e Assm
TOLERANCE: ±1	SCALE: 1:1	SHEET 1 OF 1
REV. C2	SIZE A4	* :Inspection Item

CHOGORI[®]

PART NO	11C03621112307	DRAWN BY	Kevin_Rdz	DATE	2022/08/09
DWG NO	11C03621112307	CHECKED BY	Kevin_Rdz	DATE	2022/08/09
CUSTOMER		APPROVED BY	Eric	DATE	2022/08/09

THIS INFORMATION IS CONFIDENTIAL AND IS DISCLOSED TO YOU ON CONDITION THAT NO FURTHER DISCLOSURE IS MADE BY YOU TO OTHER THAN CHOGORI PERSONNEL WITHOUT AUTHORIZATION FROM CHOGORI CORP.