

NOTES:

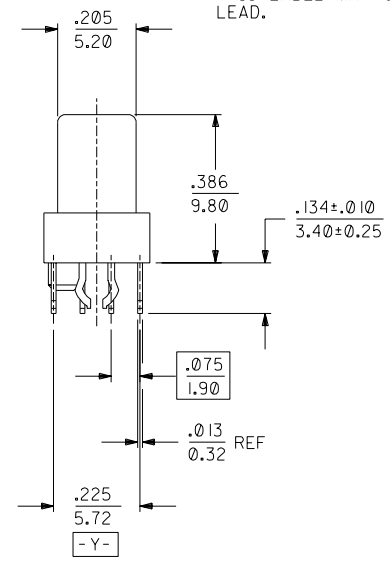
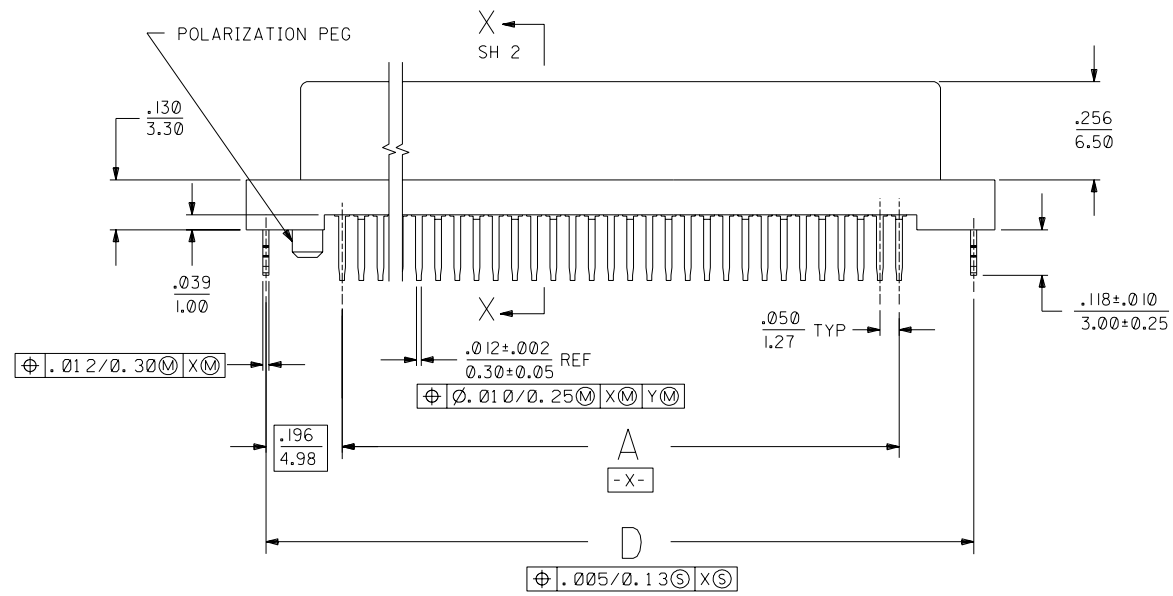
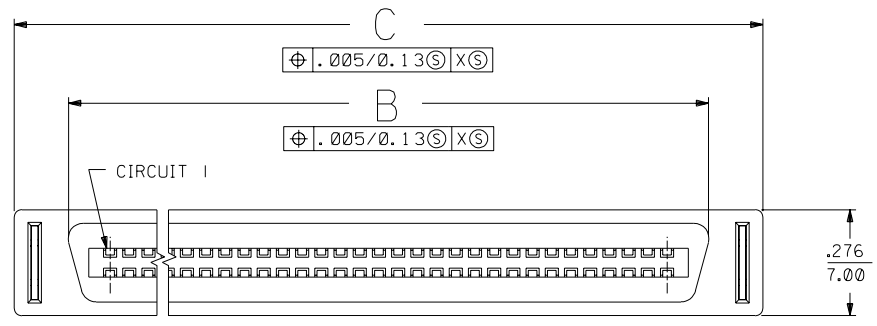
- 1) MATERIALS:  
HOUSING- LCP, GLASS FILLED, 94V-0, BLACK.  
TERMINALS- COPPER ALLOY  
METAL PEGS- COPPER ALLOY
- 2) PLATING:  
.000030 INCHES MINIMUM GOLD IN SELECTIVE CONTACT AREA  
OVER .000050 INCHES MINIMUM NICKEL IN CONTACT AREA.  
.000100 INCHES MINIMUM TIN IN SOLDER TAIL AREA.
- 3) ASSEMBLY MATES WITH MOLEX P/N SDA-71661-\*\*\*\*.  
CONFORMS TO PRODUCT SPECIFICATION PS-71660.

RECOMMENDED P.C. BOARD THICKNESS IS .062 (1.6).

CONNECTOR WILL ACCEPT MATING TO A P.C. BOARD WITH A THICKNESS OF .062±.003.

NOTE FOR LEAD FREE CONVERSION:

THE PRIMARY SHIPPING CARTON WILL BE LABELED "COMPLIANT TO RoHS DIRECTIVE 2002/95/EC AND ELV ANNEX II OF DIRECTIVE 2000/53/EC". CARTONS WITHOUT THIS LABEL MAY CONTAIN PRODUCT WITH LEAD.



D	LEAD FREE CONV ECN UCP2004-2096 RKADAMS 04/04/23
C	REVISED ECN LDT 2000-1231 ACHAMMER 00/06/07
B	REVISED PER ECN U40506 4-15-94 RAN
A	INITIAL RELEASE PER ECN U31655 11-5-93 RAN

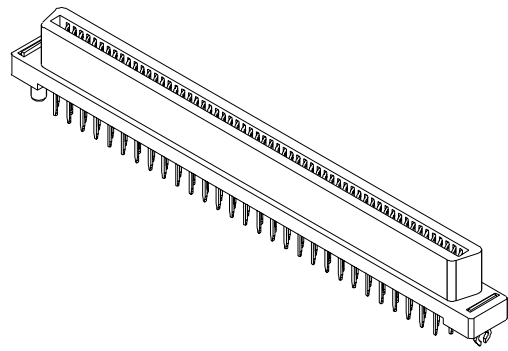
DIMENSIONS SHOWN (METRIC) INCH UNLESS OTHERWISE SPECIFIED TOLERANCES: ANGULAR ± 1/2°		▽ = 0		= 0		REVISE ONLY ON CAD SYSTEM	
3 PLACE	± .005	---	---	TITLE			
2 PLACE	± .01	± 0.13	---	SALES ASSEMBLY EBBI 50D VERTICAL RCPT W/O CTR BOARD LOCK			
1 PLACE	---	± 0.25	---	MOLEX INCORPORATED			
DRAFT WHERE APPLICABLE MUST REMAIN WITHIN DIMENSIONS				PART NO.		DRWG. NO.	
SEE TABLE				SDA-71660-95**		SHEET NO. DATE	
FILE NAME				57166095		1 OF 2 11 / 5 / 93	
APPROV. BY				SCALE		THIS DRAWING CONTAINS INFORMATION THAT IS PROPRIETARY TO MOLEX INC. AND SHOULD NOT BE USED WITHOUT WRITTEN PERMISSION	
RAN				4: 1		DIV. SIZE	
CAB						C C	

71660

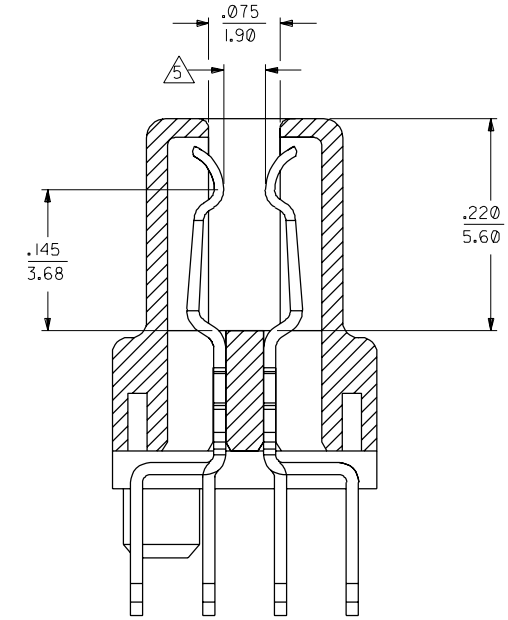
C

B

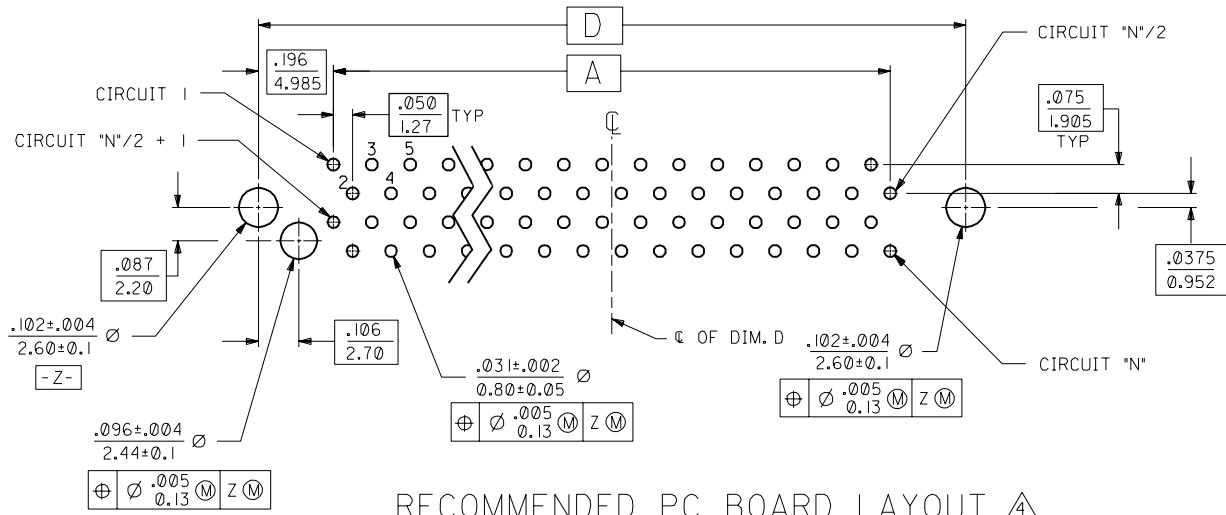
A



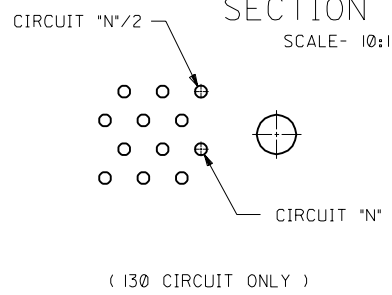
120 CIRCUIT ASSEMBLY SHOWN  
SCALE 2:1



SECTION X-X  
SCALE- 10:1



RECOMMENDED PC BOARD LAYOUT  $\Delta$   
COMPONENT SIDE  
( 120 CIRCUIT ONLY )



A	3.592 (91.25)	3.699 (93.95)	3.418 (86.82)	3.200 (81.28)	130	71660-9530
	3.342 (84.90)	3.449 (87.60)	3.168 (80.47)	2.950 (74.93)	120	71660-9520
	D	C	B	A	CKT ("N")	ITEM NUMBER

C	SEE SHEET 1
---	-------------

DIMENSIONS SHOWN (METRIC) INCH  
UNLESS OTHERWISE SPECIFIED  
TOLERANCES ANGULAR  $\pm$  1/2°

INCH	METRIC
3 PLACE $\pm$ .005	---
2 PLACE $\pm$ .01	$\pm$ 0.13
1 PLACE ---	$\pm$ 0.25

DRAFT WHERE APPLICABLE MUST  
REMAIN WITHIN DIMENSIONS

DRWG. BY: RAN	CHK'D. BY: RAN
APP'D. BY: CAB	SCALE: 4:1

FILE NAME: S7165095  
SHEET NO.: 2  
DATE: 11 / 5 / 93

MOLEX INCORPORATED  
1151E, ILL. 60532 U.S.A.

PART NO.: SEE TABLE  
DRWG. NO.: SDA-71660-95

THIS DRAWING CONTAINS INFORMATION THAT IS PROPRIETARY TO MOLEX INC. AND SHOULD NOT BE USED WITHOUT WRITTEN PERMISSION.

71660

A