

2-968814-2 ✓ ACTIVE

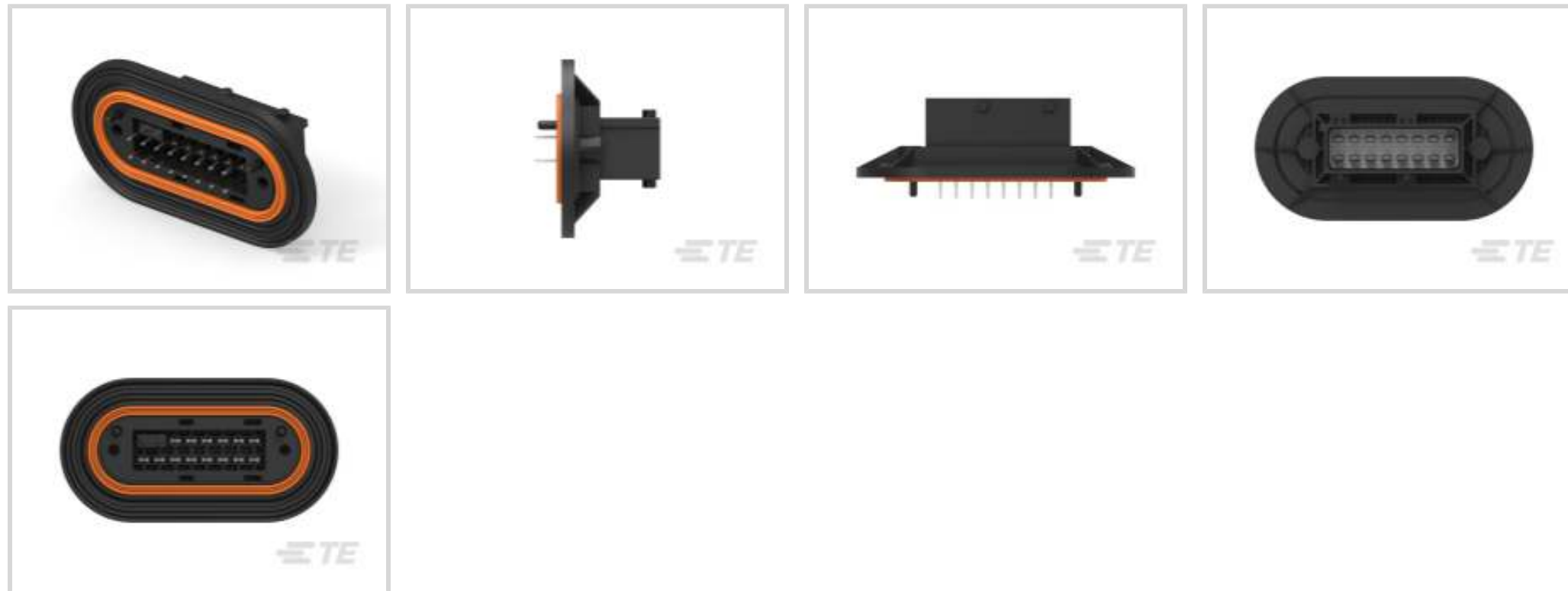
TE Internal #: 2-968814-2

PCB Mount Header, Vertical, Wire-to-Board, 16 Position, 5 mm [.196 in] Centerline, Fully Shrouded, Silver (Ag), Through Hole - Solder, Sealable

[View on TE.com >](#)



Connectors > PCB Connectors > PCB Headers & Receptacles > Low & Medium Power Header



Connector System: **Wire-to-Board**

Number of Positions: **16**

Number of Rows: **2**

Centerline (Pitch): **5 mm [.196 in]**

PCB Mount Orientation: **Vertical**

[All Low & Medium Power Header \(169\)](#)

## Features

### Product Type Features

Hybrid Header	No
Connector System	Wire-to-Board
Header Type	Fully Shrouded
Sealable	Yes
Connector & Contact Terminates To	Printed Circuit Board
PCB Connector Assembly Type	PCB Mount Header

### Configuration Features

Number of Positions	16
Number of Rows	2
PCB Mount Orientation	Vertical

### Body Features

Primary Product Color	Black
-----------------------	-------

### Contact Features



Mating Tab Width	3 mm [.118 in]
Contact Mating Area Plating Material	Silver (Ag)
Contact Type	Tab

#### Termination Features

Termination Method to Printed Circuit Board	Through Hole - Solder
---	-----------------------

#### Mechanical Attachment

Connector Mounting Type	Board Mount
Mating Alignment	With
PCB Mount Alignment	With
PCB Mount Retention	With

#### Housing Features

Centerline (Pitch)	5 mm [.196 in]
--------------------	----------------

#### Operation/Application

Circuit Application	Signal
---------------------	--------

#### Packaging Features

Packaging Quantity	48
Packaging Type	Carton

#### Other

Interface Number	966168
------------------	--------

### Product Compliance


[For compliance documentation, visit the product page on TE.com>](#)

EU RoHS Directive 2011/65/EU	Compliant
EU ELV Directive 2000/53/EC	Compliant
China RoHS 2 Directive MIIT Order No 32, 2016	No Restricted Materials Above Threshold
EU REACH Regulation (EC) No. 1907/2006	Current ECHA Candidate List: JUNE 2023 (235) Candidate List Declared Against: JUN 2018 (191) Does not contain REACH SVHC
Halogen Content	Low Halogen - Br, Cl, F, I < 900 ppm per homogenous material. Also BFR/CFR/PVC Free
Solder Process Capability	Not applicable for solder process capability

Product Compliance Disclaimer

This information is provided based on reasonable inquiry of our suppliers and represents our current actual knowledge based on the information they provided. This information is subject to change. The part numbers that TE has identified as EU RoHS compliant have a maximum concentration of 0.1% by weight in homogenous materials for lead, hexavalent chromium, mercury, PBB, PBDE, DBP, BBP, DEHP, DIBP, and 0.01% for cadmium, or qualify for an exemption to these limits as defined in the Annexes of Directive 2011/65/EU (RoHS2). Finished electrical and electronic equipment products will be CE marked as required by Directive 2011/65/EU. Components may not be CE marked. Additionally, the part numbers that TE has identified as EU ELV compliant have a maximum concentration of 0.1% by weight in homogenous materials for lead, hexavalent chromium, and mercury, and 0.01% for cadmium, or qualify for an exemption to these limits as defined in the Annexes of Directive 2000/53/EC (ELV). Regarding the REACH Regulation, the information TE provides on SVHC in articles for this part number is based on the latest European Chemicals Agency (ECHA) 'Guidance on requirements for substances in articles' posted at this URL: <https://echa.europa.eu/guidance-documents/guidance-on-reach>

### Compatible Parts



TE Part # 963216-1  
DICHTUNG

### Customers Also Bought



TE Part #215083-8  
MICRO-MATCH MOW.08P



TE Part #5-160432-4  
250 FASTON REC 20-16 AWG TPBR



TE Part #2-967677-1  
3,0MESSERLEIS 55P



TE Part #282438-1  
MINI MIC SRS REC CONT HYBRD



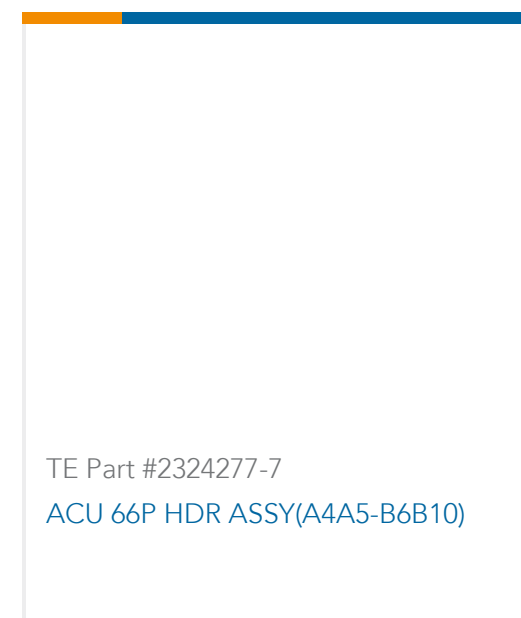
TE Part #928966-2  
SPT REC 6.3 Contact SWS Sn



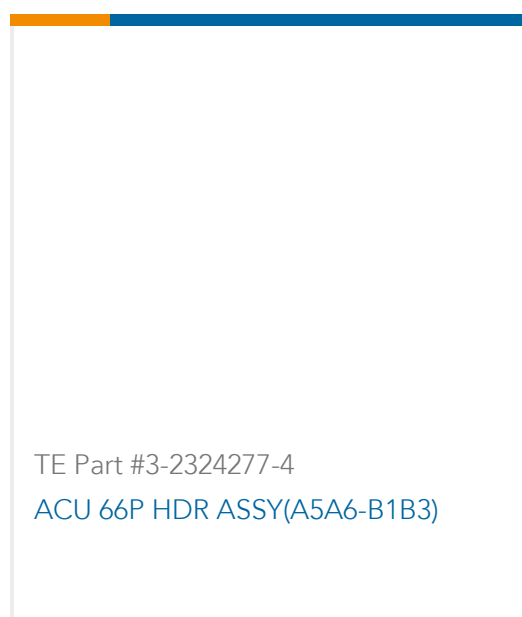
TE Part #880573  
3 WAY FASTIN-ON HOUSING REC PA66 NAT



TE Part #1-1418862-0  
2POS. FIBER OPTIC HARNESS CONNECTOR



TE Part #2324277-7  
ACU 66P HDR ASSY(A4A5-B6B10)



## Documents

### Product Drawings

[MESSERLEISTE3,0 16P](#)

English

### CAD Files

Customer View Model

[ENG\\_CVM\\_CVM\\_2-968814-2\\_A.2d\\_dxf.zip](#)

English

[3D PDF](#)

3D

Customer View Model

[ENG\\_CVM\\_CVM\\_2-968814-2\\_A.3d\\_igs.zip](#)

English

Customer View Model

[ENG\\_CVM\\_CVM\\_2-968814-2\\_A.3d\\_stp.zip](#)

English

By downloading the CAD file I accept and agree to the [Terms and Conditions](#) of use.