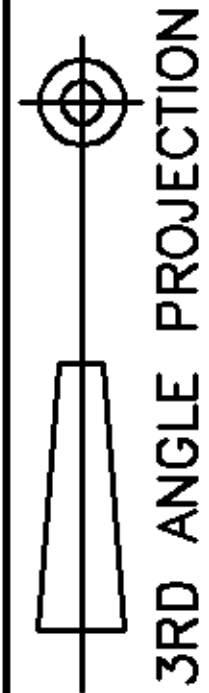


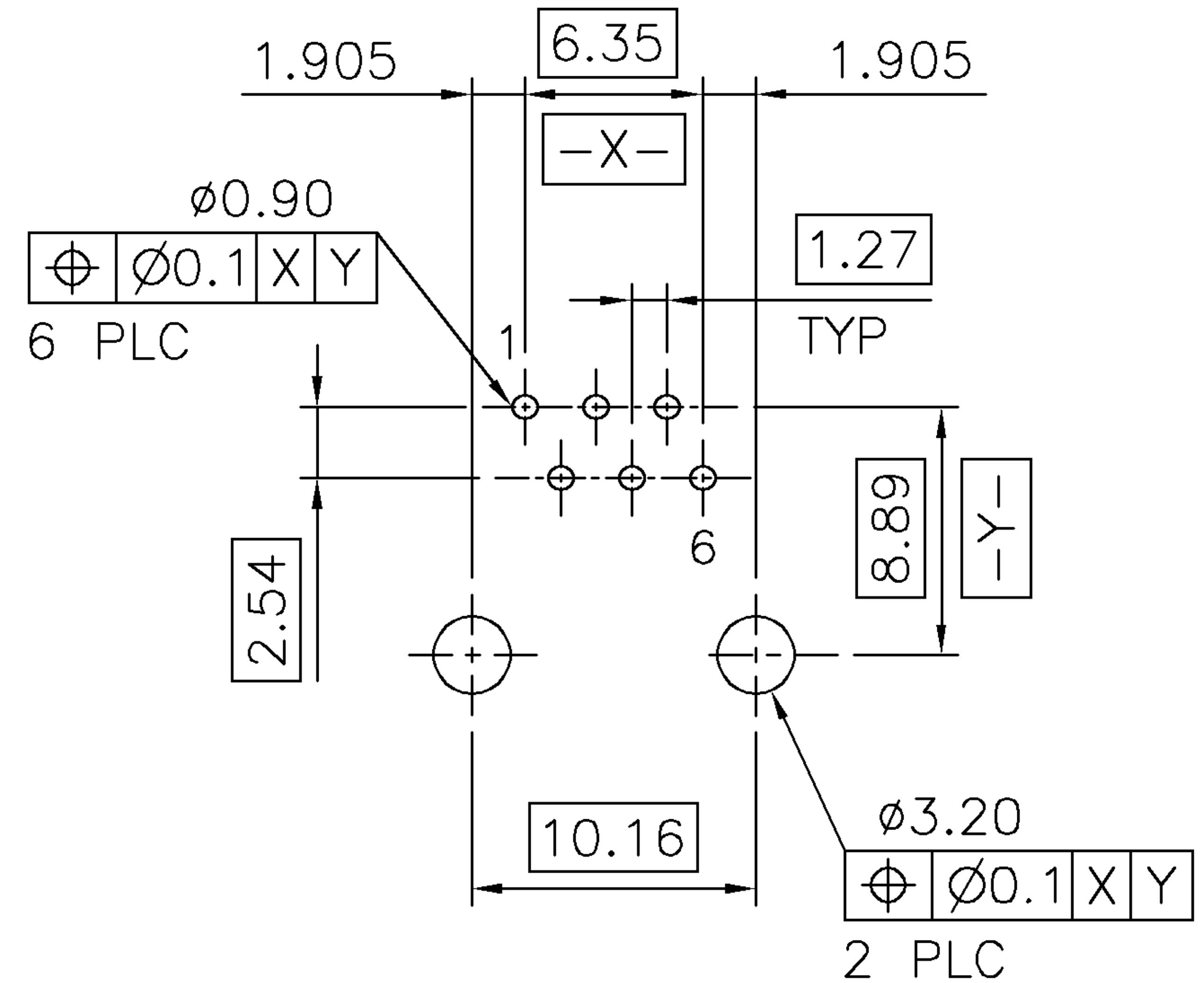
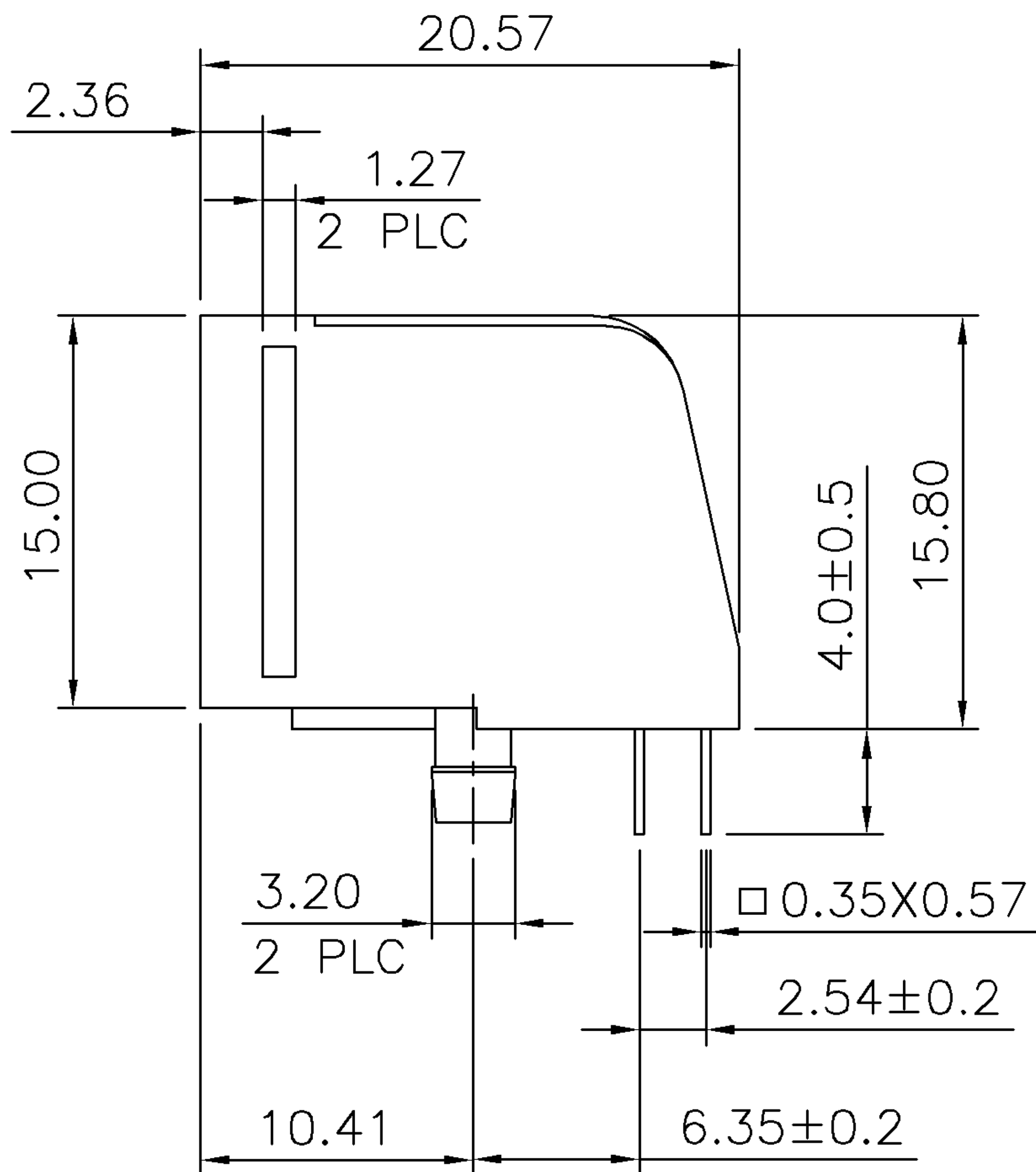
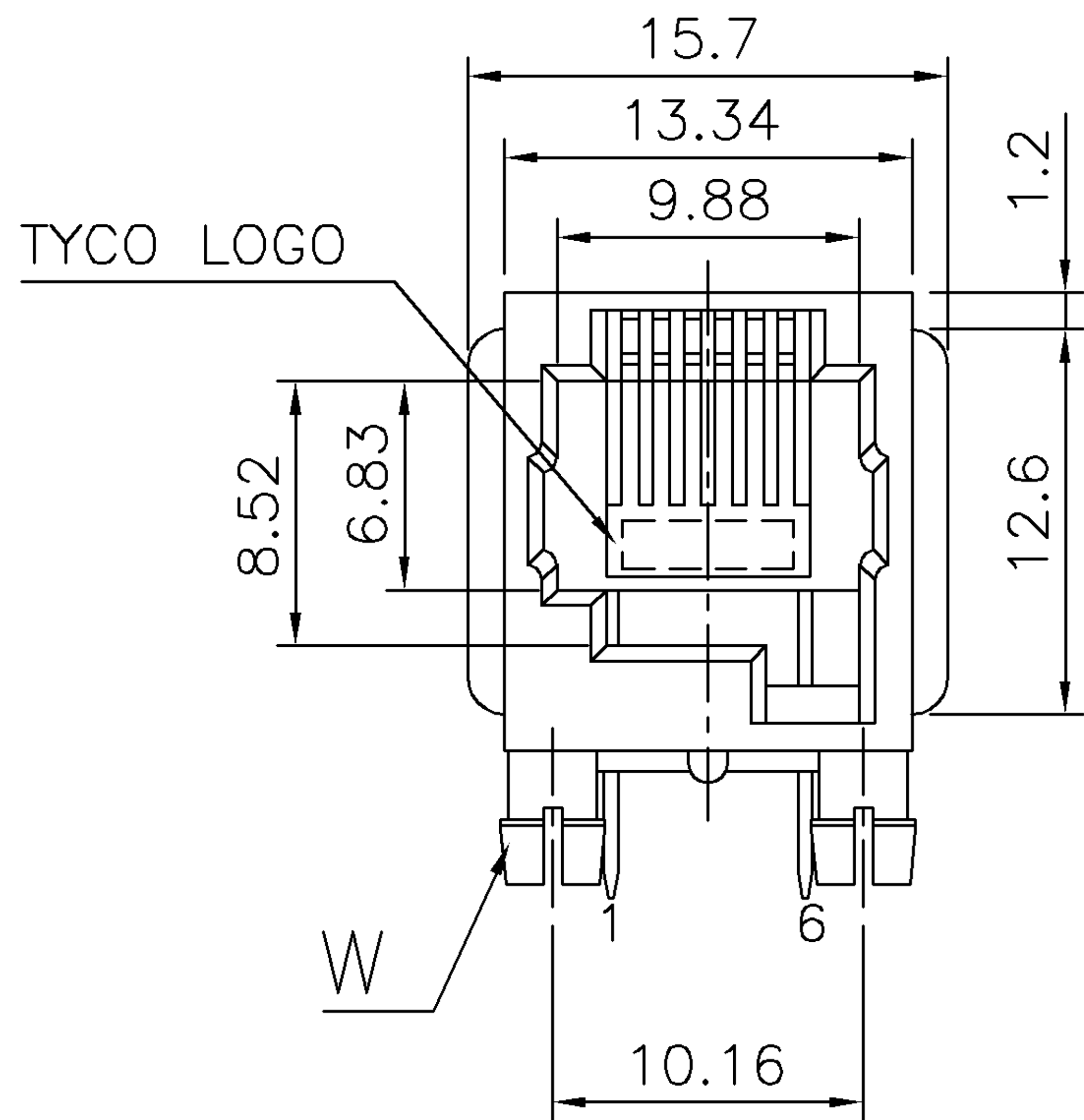
THIS INFORMATION IS CONFIDENTIAL AND IS DISCLOSED TO YOU ON CONDITION THAT NO FURTHER DISCLOSURE IS MADE BY YOU TO OTHER THAN AMP PERSONNEL WITHOUT WRITTEN AUTHORIZATION FROM AMP (TAIWAN) LTD. DIMENSIONS IN MILLIMETERS. DO NOT SCALE PRINT.

PRINT DIST
DW

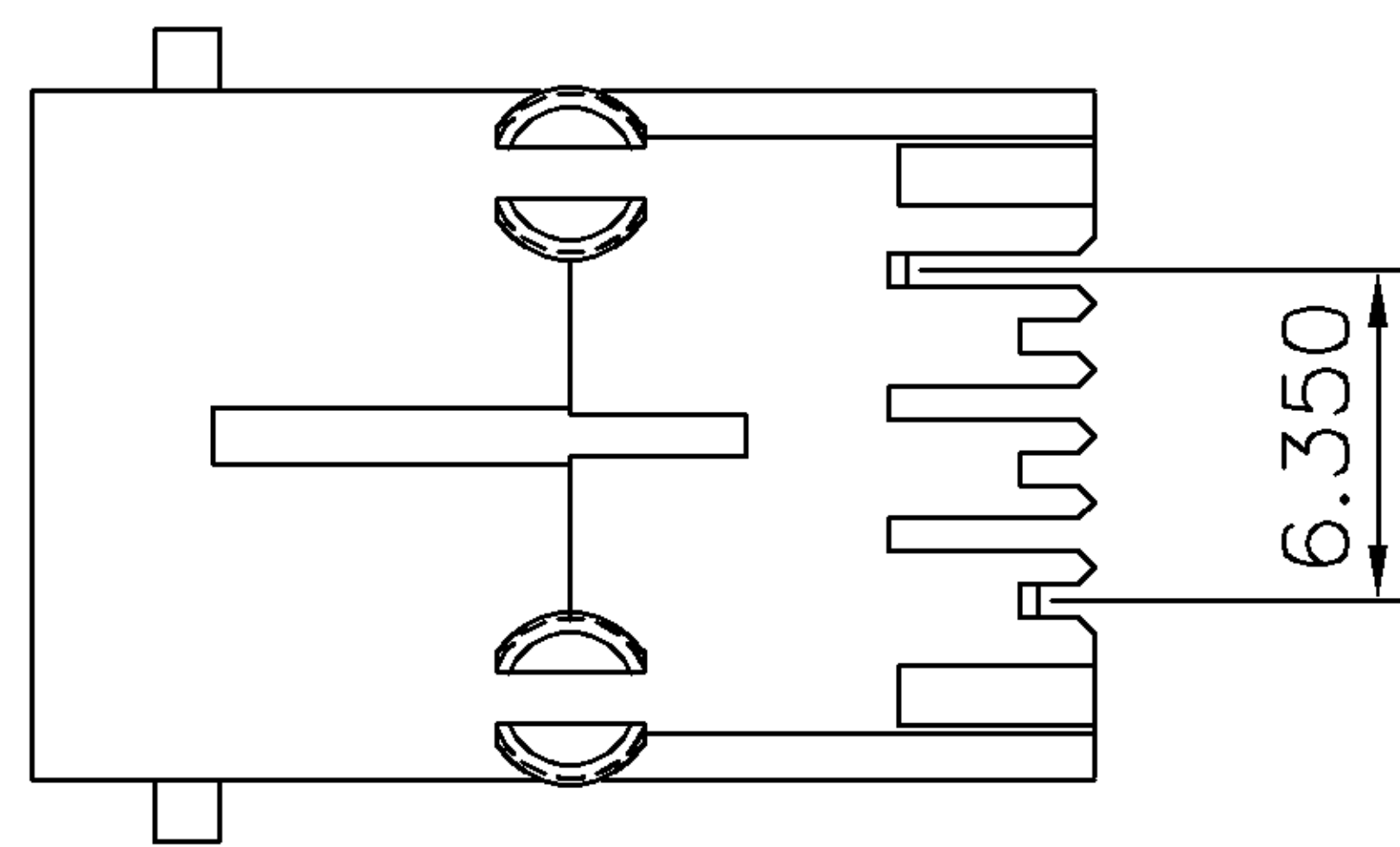
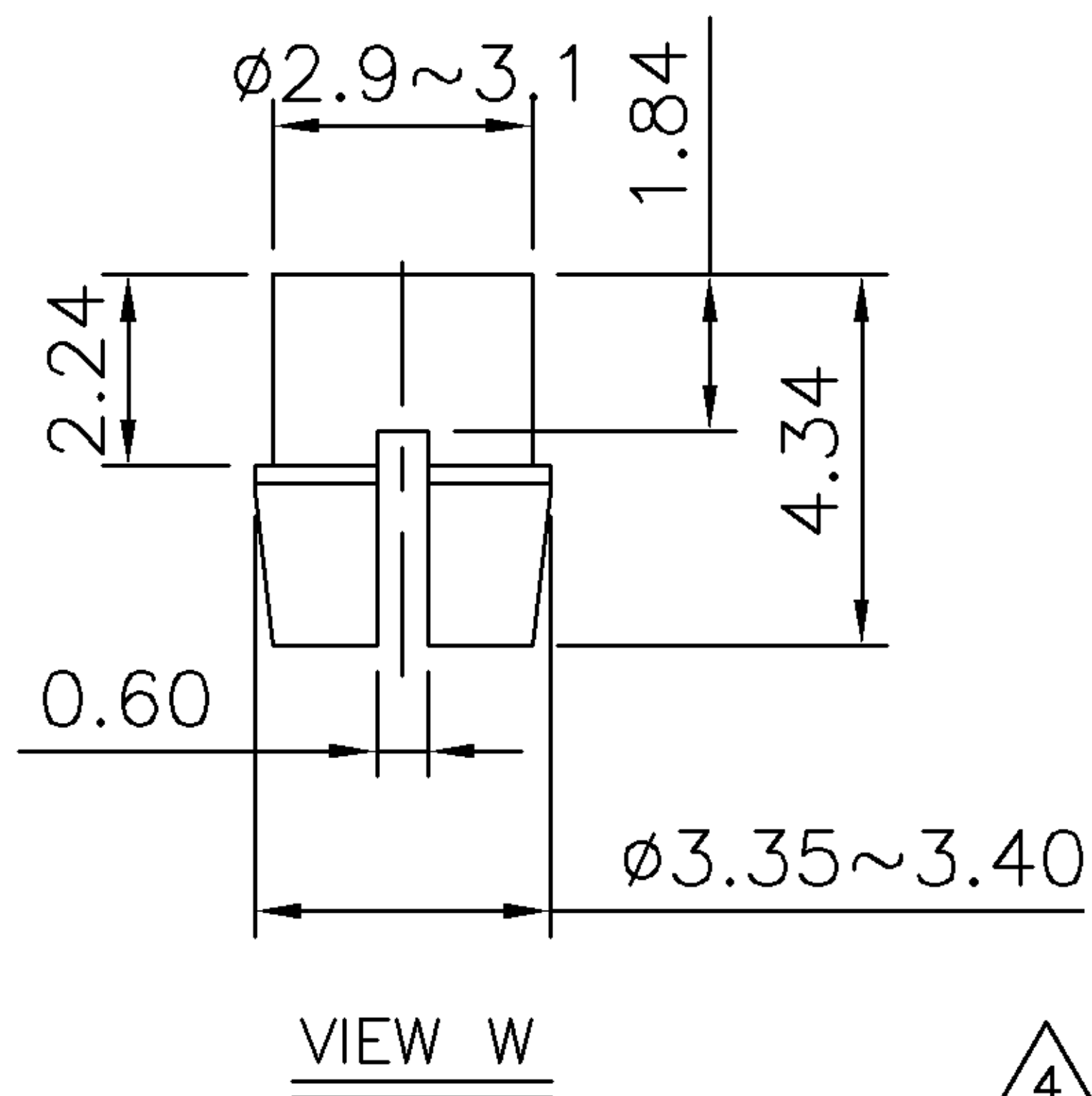
METRIC



NUMBER
C-1775211



RECOMMENDED PCB LAYOUT (THICKNESS: 1.6mm)
DIMENSION TOLERANCE: 1 PLC: ±0.1 2PLC: ±0.05



NOTE:

- 1. MATERIAL:
HOUSING: THERMOPLASTIC HIGH TEMP., UL 94V-0,
COLOR: GRAY(PANTONE 400C).
CONTACT: PHOSPHOR BRONZE, THICKNESS=0.35mm.
- 2. FINISH:
CONTACT: GOLD PLATED (SEE TABLE) IN CONTACT AREA,
GOLD FLASH ON SOLDER TAILS,
50u" MIN. NICKEL UNDERPLATED ALL OVER.
- 3. REFLOW SOLDER CAPABLE TO 260°C PER TYCO SPEC 109-201,
CONDITION B.

△ OBSOLETE PARTS: OBSOLETE CIS STREAMLINING PER D.RENAUD/D.SINISI

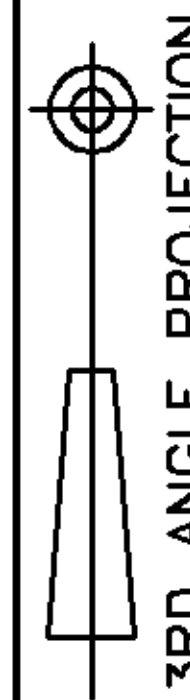
△ OBSOLETE	6P2C	50µ"	1775211-4
		30µ"	1775211-3
		15µ"	1775211-2
		6µ"	1775211-1
	POS./CONT.	GOLD PLATED	PART NUMBER

TOLERANCES UNLESS OTHERWISE SPECIFIED: 0 PLC ±0.50 1 PLC ±0.30 2 PLC ±0.20 3 PLC ±0.10 ANGLES ±3'	DWN O. HU 28-JUL-2005	tyco TYCO HOLDINGS (BERMUDA) Electronics VII LTD. TAIWAN BRANCH NAME		
MATERIAL SEE NOTE	CHK S. HOU 28-JUL-2005	MODULAR JACK, SIDE ENTRY, 6 POS, DIP TYPE		
FINISH SEE NOTE	APVD W.J. KE 28-JUL-2005	PRODUCT SPEC 108-57527	LOC DW	SIZE A ₃
	QUALIFICATION TEST REPORT 501-57661	DRAWING NO C-1775211	REV O1	REV O1
	WEIGHT 3.5 gram	SCALE --	SHEET 1 OF 2	

O1	REVISED PER	ECO-09-026495	KK AEG	01DEC09
O	FIRST RELEASED		OH SH	29JUL 2005
LTR	REVISION RECORD	ECN	DWN CHK	DATE

8 | 7 | 6 | 5 | 4 | 3 | 2 | 1 | CUSTOMER DRAWING

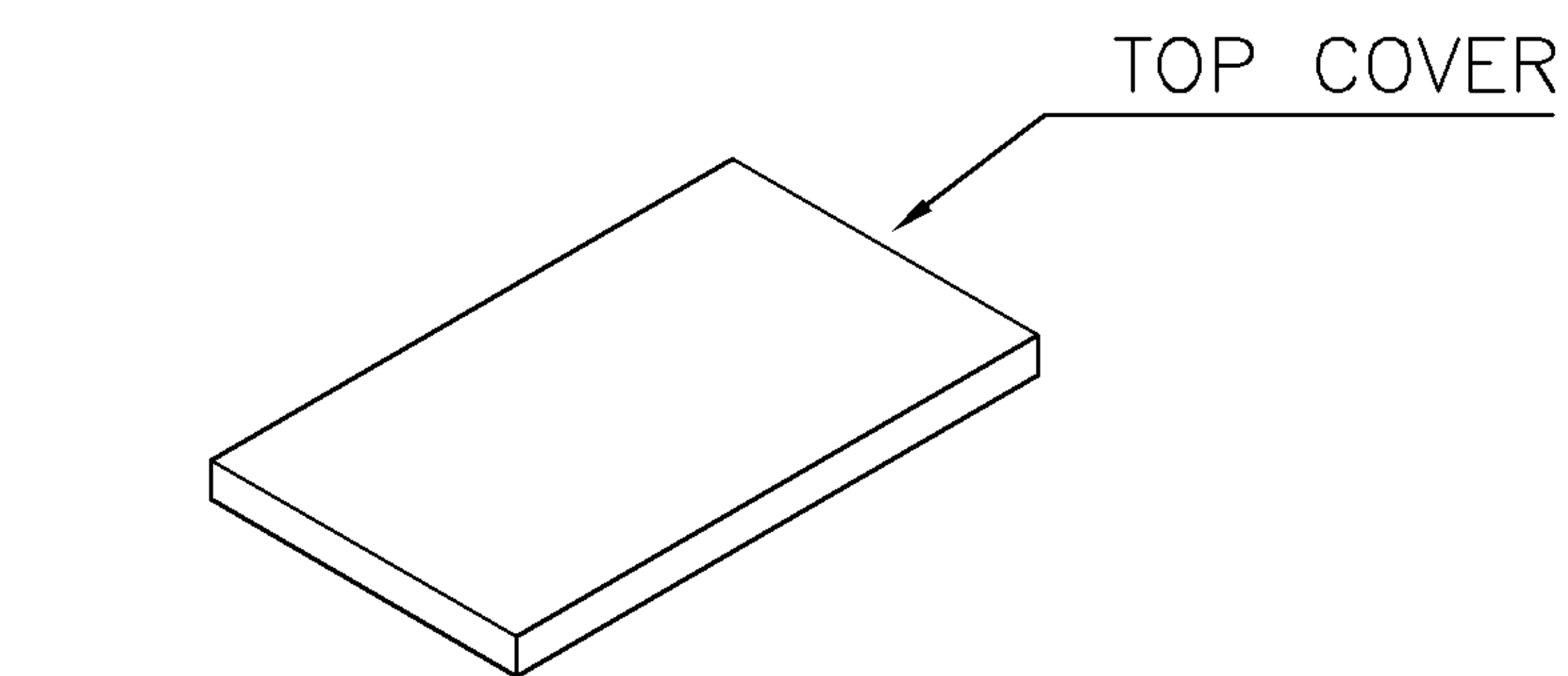
NUMBER
C-1775211



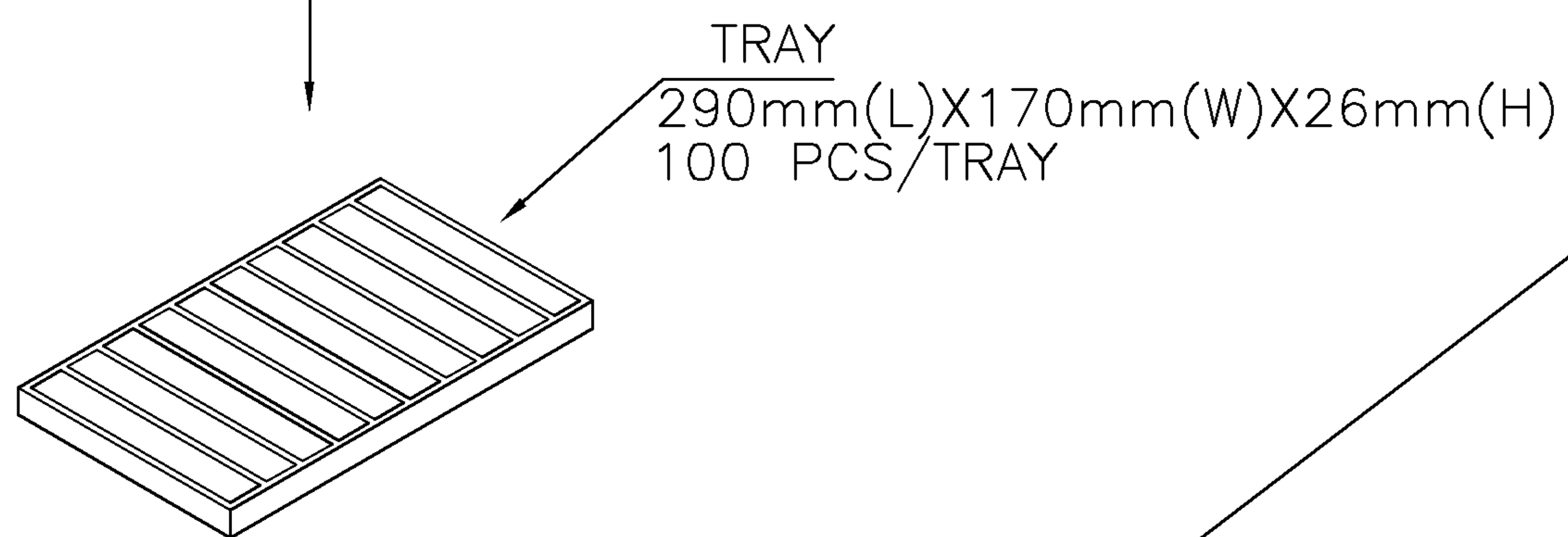
METRIC

THIS INFORMATION IS CONFIDENTIAL AND IS DISCLOSED TO YOU ON CONDITION THAT NO FURTHER DISCLOSURE IS MADE BY YOU TO OTHER THAN AMP PERSONNEL WITHOUT WRITTEN AUTHORIZATION FROM AMP (TAIWAN) LTD. DIMENSIONS IN MILLIMETERS. DO NOT SCALE PRINT.

PRINT
DW

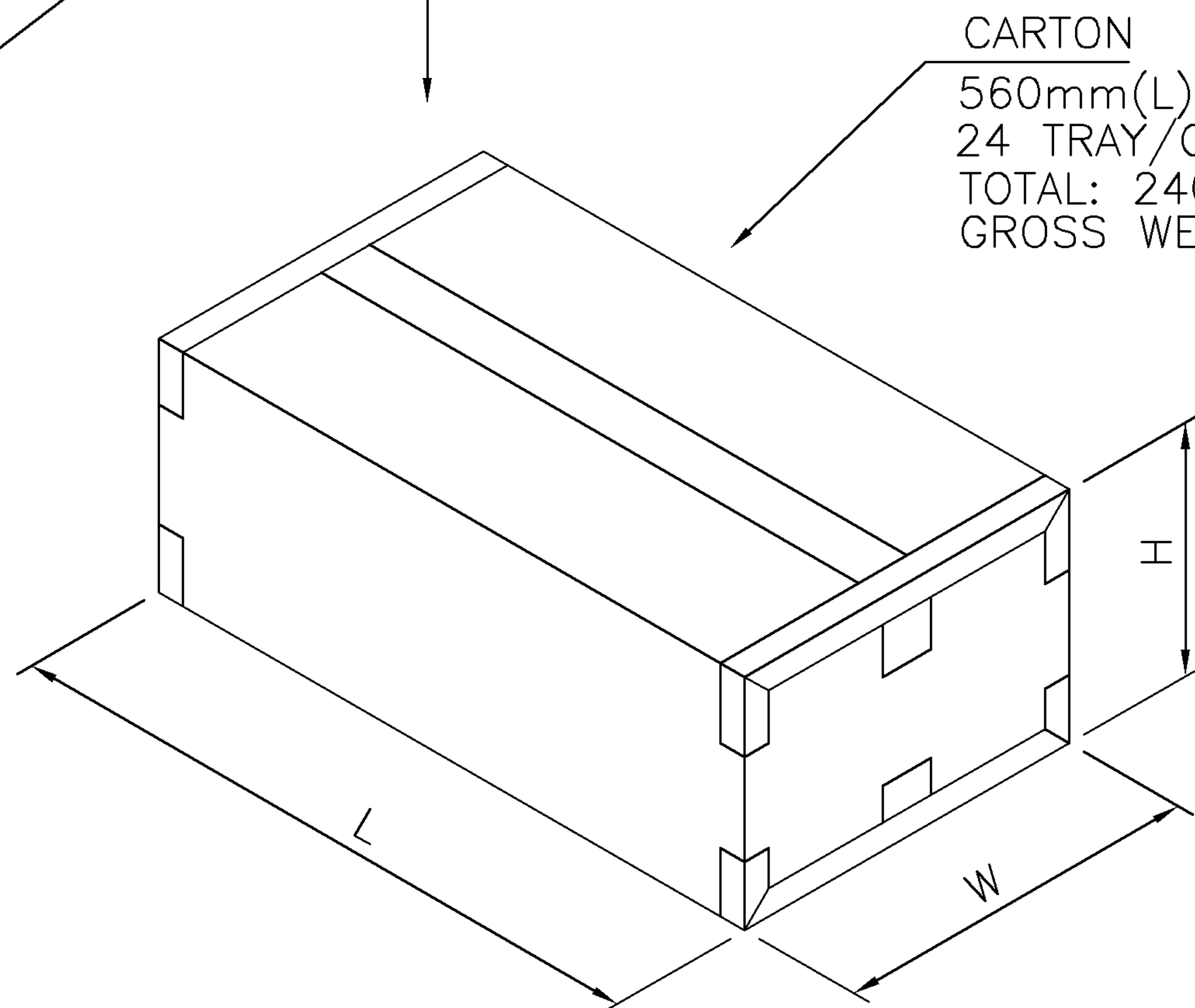
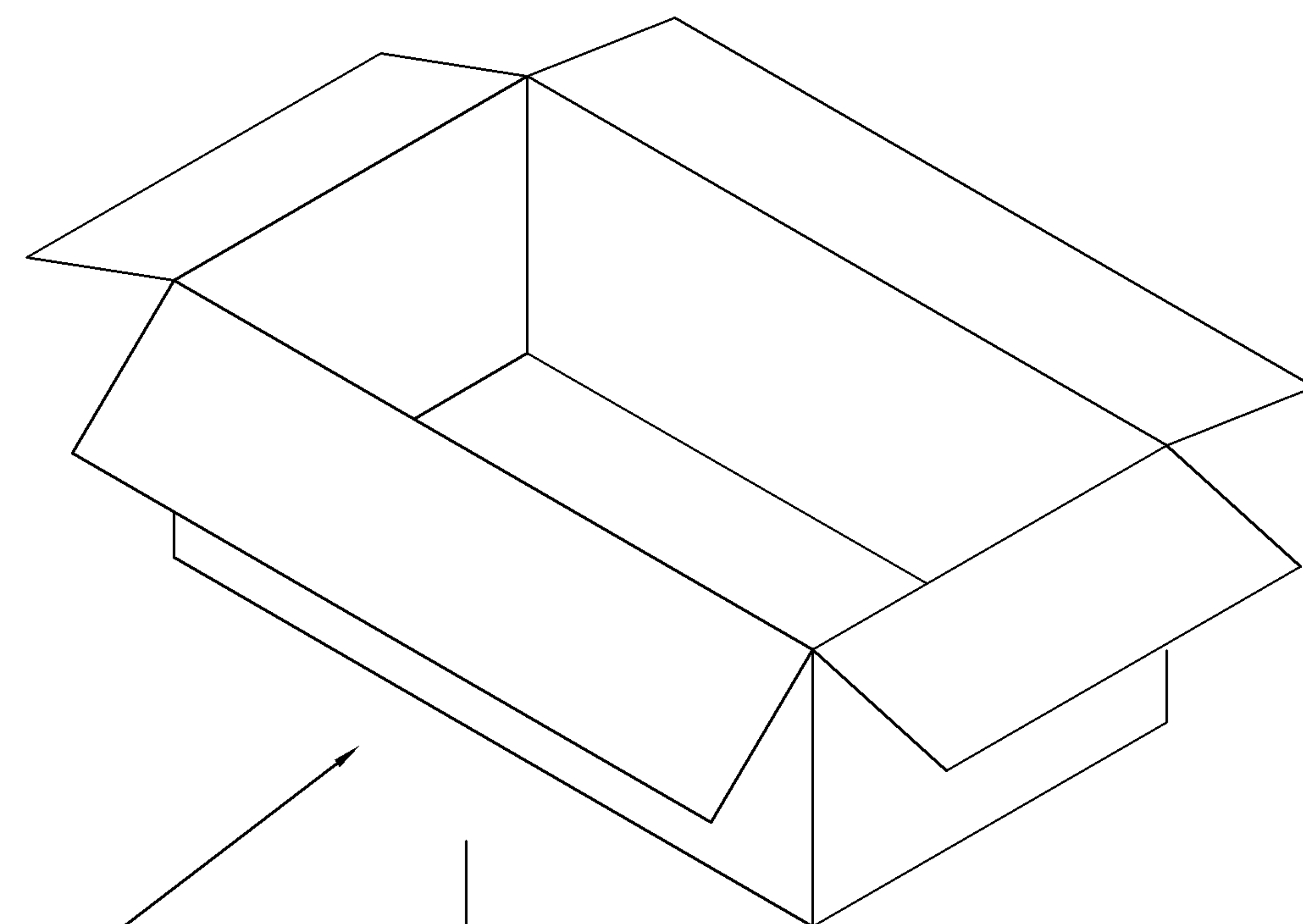
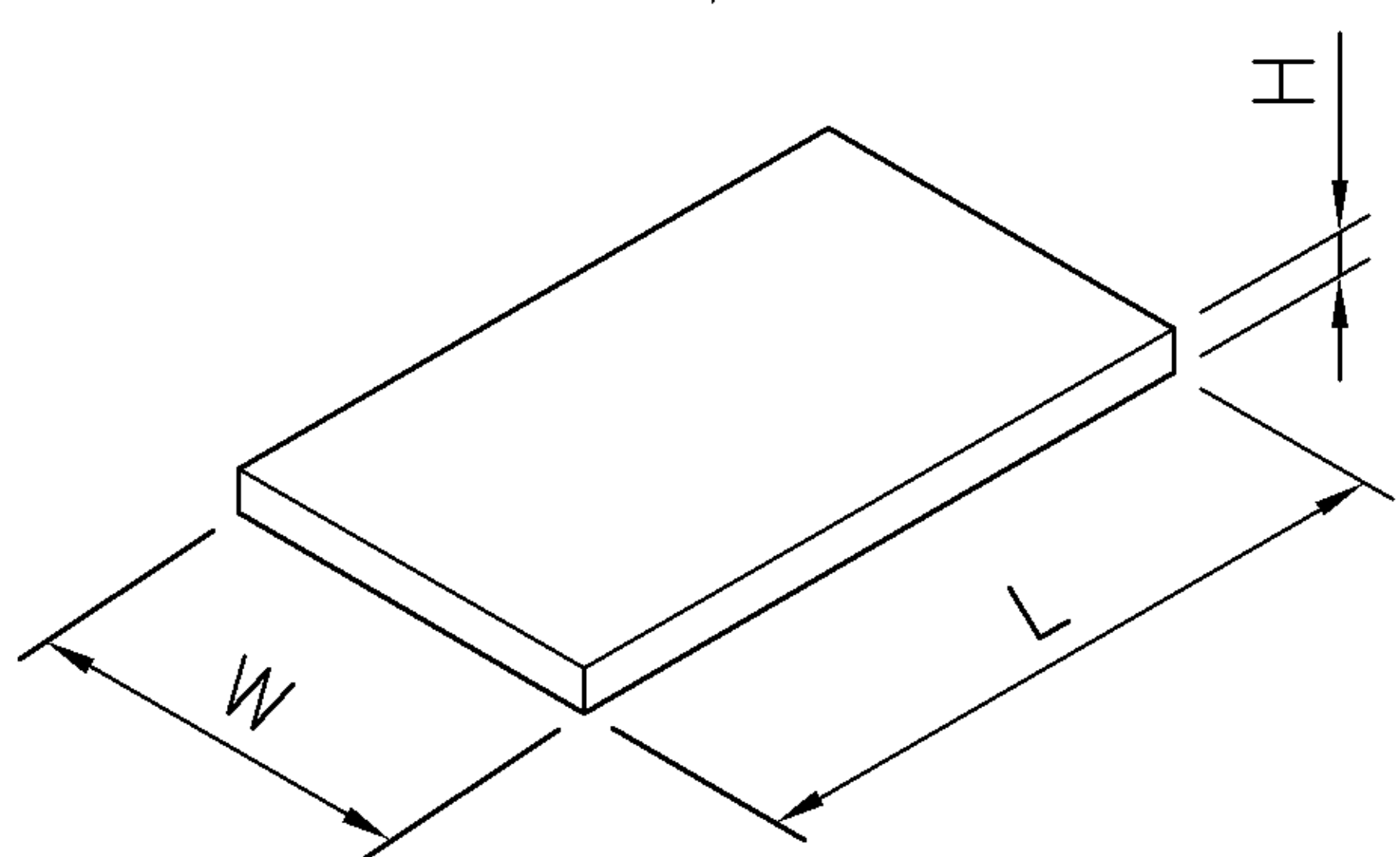


TOP COVER



TRAY

290mm(L)X170mm(W)X26mm(H)
100 PCS/TRAY



CARTON
560mm(L)X310mm(W)X210mm(H)
24 TRAY/CARTON
TOTAL: 2400 PCS
GROSS WEIGHT: 10Kg (Ref.)

SEE SHEET 1.	ECN	DWN	CHK	DATE
LTR	REVISION RECORD			

TOLERANCES UNLESS OTHERWISE SPECIFIED: 0 PLC ± 1 PLC ± 2 PLC ± 3 PLC ± ANGLES ±	DWN	O. HU	tyco TYCO HOLDINGS (BERMUDA) Electronics VII LTD. TAIWAN BRANCH			
		28-JUL-2005				
MATERIAL SEE NOTE	CHK	S. HOU	NAME MODULAR JACK, SIDE ENTRY, 6 POS, DIP TYPE			
		28-JUL-2005				
FINISH SEE NOTE	APVD	W.J. KE	LOC	SIZE	DRAWING NO	REV
		28-JUL-2005	DW	A ₃	C-1775211	O1
	PRODUCT SPEC	--	SCALE	SHEET		
	QUALIFICATION TEST REPORT	--		2 OF 2		
	WEIGHT	--				