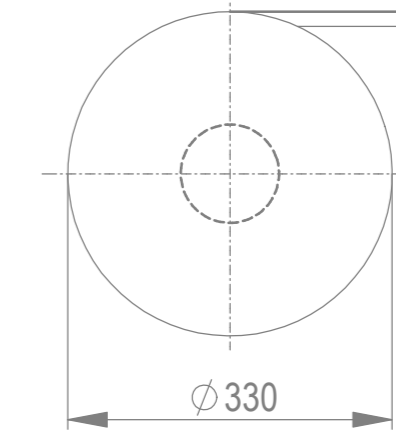
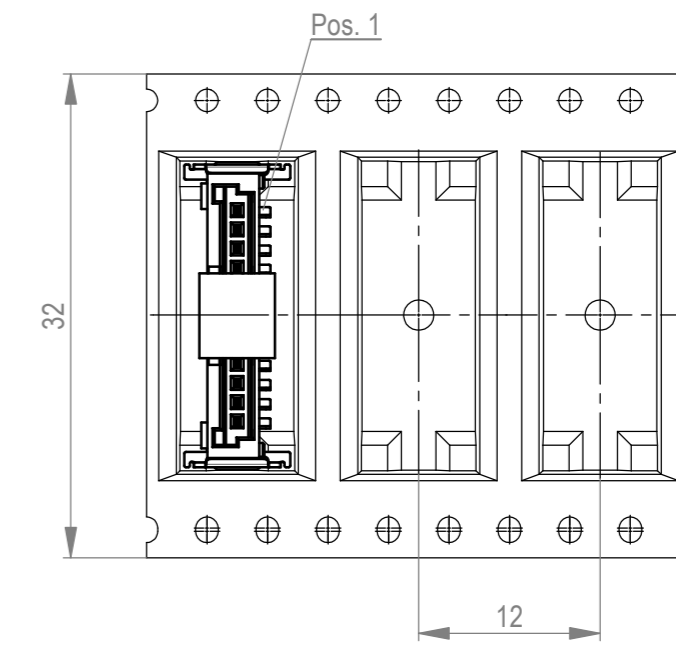


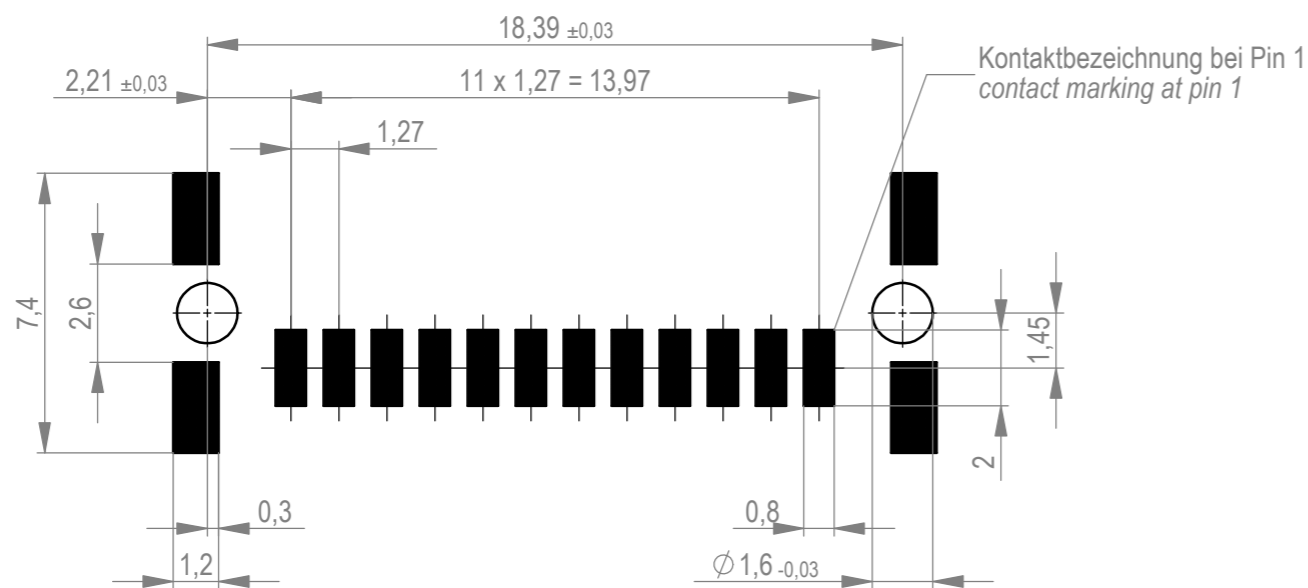
Verpackt im Gurt in Anlehnung an DIN IEC 60286-3
 tape on reel packaging according to DIN IEC 60286-3
 Verpackungseinheit: 650 Stück
 packaging unit: 650 pcs



Abspulrichtung - reel off direction



Leiterplatten-Layout für SMT
 PCB-Layout for SMT



Anforderungsstufe 1
 performance level 1

Kontaktbereich vergoldet
 mating area gold plating

Anschlussbereich verzinkt 4-6 µm
 terminal area 4-6 µm tin plating

Koplanarität der Anschlüsse ≤ 0,1 mm
 coplanarity area of termination ≤ 0,1 mm

*Für die Anforderung nach PG 9 der LV214
 (Koshiri-Sicherheit)

*For the requirement of the LV214 PG 9
 (Koshiri-security)

Dimension no.	Tolerances Dim. for Information ISO 8015		Scale Material 5:1
Customer drawing: All rights reserved. Only for information. To ensure that this is the latest version of this drawing, please contact one of the ERNI companies before using.	Subject to modification without prior notice. Drawing will not be updated.		MiniBridge Male Straight SMT 12p KS* 474820
d Index	03.03.2021 Date		
Class			SRCP

Die deutsche Version dieser Zeichnung dient nur zur Erläuterung der Handlung. Bei Abweichungen vom englischen Original gilt das englische Original. In case of any deviation the English version shall prevail.
 The English version of this drawing has been created for convenience only and may deviate from the original.
 In case of any deviation the English version shall prevail.
 We reserve the right to change the design without notice.
 All rights reserved for the event of the grant of a patent, utility model or design.
 All dimensions in mm.