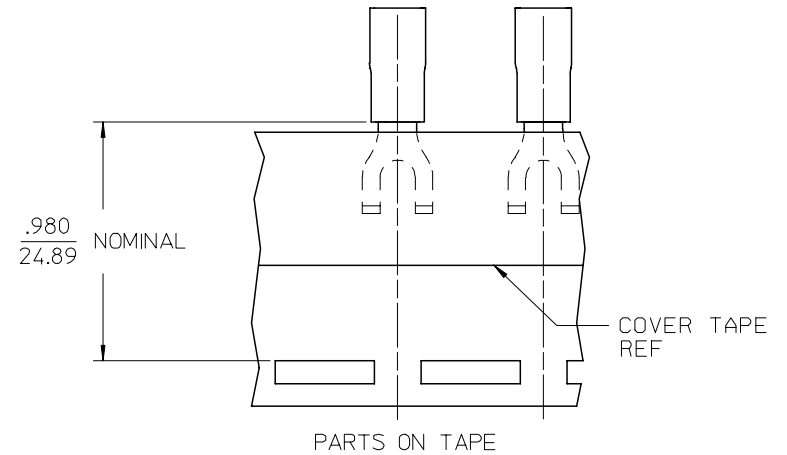
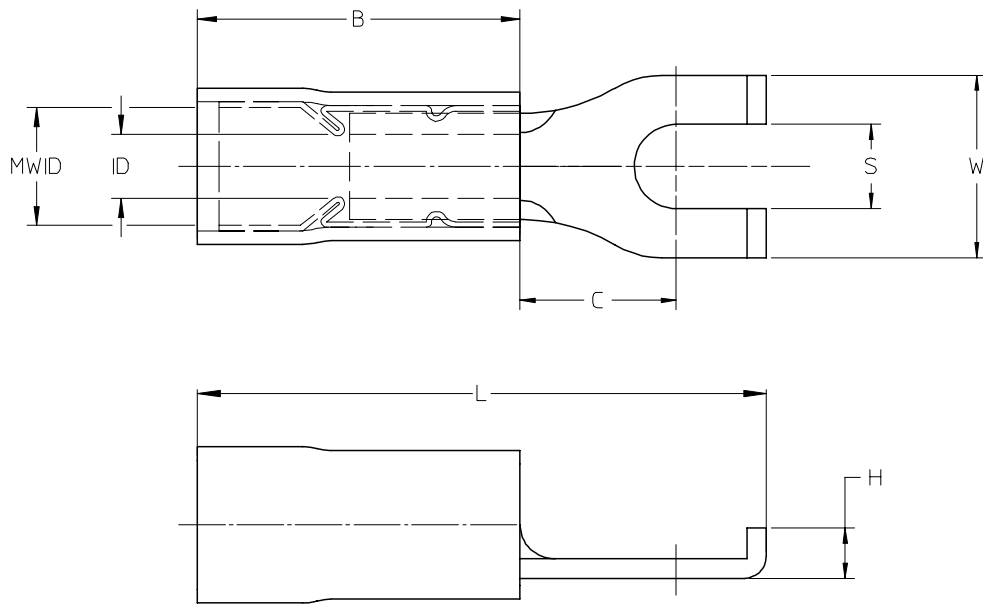


LOOSE PIECE		TAPE MOUNTED		DIMENSIONS									FINISH
MATERIAL NUMBER	ENGINEERING NUMBER	MATERIAL NUMBER	ENGINEERING NUMBER	STUD SIZE	S ±.005	W MAX	C MIN	ID MIN	MWID	B REF	L MAX	H REF	INSULATION COLOR
191260003	A-815-06	-		6	.146/3.71	.301/7.6	.207/5.3	.054/1.37	.138/3.51	.477/12.12	.854/21.69	.08/2.0	RED
191260004	A-815-10	-		10	.198/5.03	.301/7.6	.207/5.3	.054/1.37	.138/3.51	.477/12.12	.854/21.69	.08/2.0	RED
191260005	B-816-06	-		6	.146/3.71	.301/7.6	.209/5.3	.081/2.06	.165/4.19	.477/12.12	.854/21.69	.08/2.0	BLUE
191260023	B-816-08	-		8	.173/4.39	.301/7.6	.209/5.3	.081/2.06	.165/4.19	.477/12.12	.854/21.69	.08/2.0	BLUE
191260007	B-816-10	191270045	B-816-10T	10	.198/5.03	.301/7.6	.209/5.3	.081/2.06	.165/4.19	.477/12.12	.854/21.69	.08/2.0	BLUE



SALES DRAWING

- NOTES:
1. MATERIAL: COPPER .031/.79 THICK
 2. PLATING: ELECTRO-TIN
 3. MWID = MAXIMUM WIRE INSULATION DIAMETER
 4. PART IS RoHS COMPLIANT

STANDARDIZE EC NO: ETC2008-0012 DRWR:RSTONE 2007/11/26 CHKD: JMACNEIL 2007/11/26 APPR: JMACNEIL 2007/12/05	QUALITY SYMBOLS	GENERAL TOLERANCES (UNLESS SPECIFIED)	DIMENSION STYLE	SCALE	DESIGN UNITS	THIRD ANGLE PROJECTION
	▽=0	mm INCH	IN/MM	4:1	INCH	
	▽=0	4 PLACES ± --- ±.0002	DRAWN BY DATE			TITLE
		3 PLACES ±0.005 ±.005	EMF 1987/03/05			FLANGED SPADE TERMINAL, AVIKRIMP -800 SERIES, LONG BARREL
	2 PLACES ±0.13 ±.01	CHECKED BY DATE				
	1 PLACE ±0.25 ± ---	APPROVED BY DATE				
	ANGULAR ±1/2°					
		DRAFT WHERE APPLICABLE MUST REMAIN WITHIN DIMENSIONS	MATERIAL NO.	DOCUMENT NO.		
			SEE CHART		SD-19126-001	SHEET NO. 1 OF 1
			SIZE B	THIS DRAWING CONTAINS INFORMATION THAT IS PROPRIETARY TO MOLEX INCORPORATED AND SHOULD NOT BE USED WITHOUT WRITTEN PERMISSION		