

## TUSB319-Q1 USB Type-C DFP Port Controller

### 1 Features

- Meets USB Type-C™ Specifications
- Supports DFP (Host/Source) Applications with up to 15W Power
- Supports Type-C Current Mode Advertisement up to 3 A (Default, 1.5 A, 3 A)
- Provides Type-C Plug Orientation
- Channel Configuration (CC)
  - Attach of USB Port Detection
  - Cable Orientation Detection
- $V_{BUS}$  Detection
- Supply Voltage: 3.8 V to 5.5 V
- Low Current Consumption
- 2 x 2 mm WSON Package with 0.5 mm Pitch
- Industrial Temperature Range of  $-40^{\circ}\text{C}$  to  $85^{\circ}\text{C}$

### 2 Applications

- Wall-charger
- Automotive Car Charger, USB Port
- DFP Port for Desktop, Notebooks, All-in-One

### 3 Description

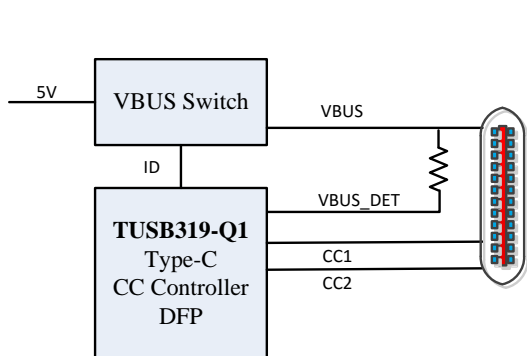
The TUSB319-Q1 is a USB Type-C Downstream Facing Port (DFP) controller. The TUSB319-Q1 monitors the USB Type-C Configuration Channel (CC) lines to determine when an USB device is attached. If an Upstream Facing Port (UFP) device is attached, the TUSB319-Q1 drives an open drain output ID that can be used in the system to apply VBUS power. The device also communicates the selectable VBUS current sourcing capability to the UFP via the CC lines.

#### Device Information<sup>(1)</sup>

PART NUMBER	PACKAGE	BODY SIZE (NOM)
TUSB319-Q1	WSON (8)	2.00 mm x 2.00 mm 0.5 mm pitch

(1) For all available packages, see the orderable addendum at the end of the data sheet.

#### Simplified Schematic



Copyright © 2017, Texas Instruments Incorporated



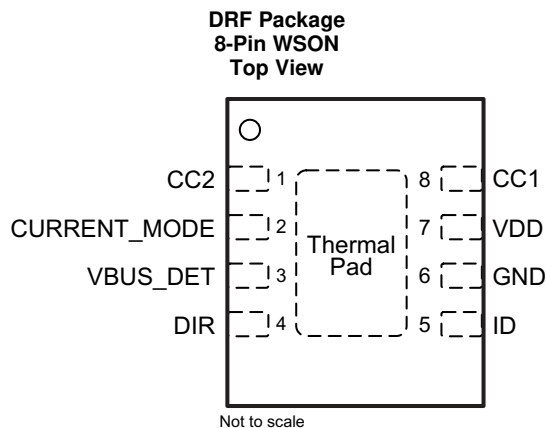
## Table of Contents

<b>1 Features</b> .....	1	7.4 Device Functional Modes.....	9
<b>2 Applications</b> .....	1	<b>8 Application and Implementation</b> .....	10
<b>3 Description</b> .....	1	8.1 Application Information.....	10
<b>4 Revision History</b> .....	2	8.2 Typical Application .....	10
<b>5 Pin Configuration and Functions</b> .....	3	8.3 Initialization Set Up .....	12
<b>6 Specifications</b> .....	4	<b>9 Power Supply Recommendations</b> .....	12
6.1 Absolute Maximum Ratings .....	4	<b>10 Layout</b> .....	12
6.2 ESD Ratings.....	4	10.1 Layout Guidelines .....	12
6.3 Recommended Operating Conditions .....	4	10.2 Layout Example .....	12
6.4 Thermal Information .....	4	<b>11 Device and Documentation Support</b> .....	13
6.5 Electrical Characteristics.....	5	11.1 Receiving Notification of Documentation Updates	13
6.6 Switching Characteristics .....	6	11.2 Community Resources.....	13
<b>7 Detailed Description</b> .....	7	11.3 Trademarks .....	13
7.1 Overview .....	7	11.4 Electrostatic Discharge Caution.....	13
7.2 Functional Block Diagram .....	8	11.5 Glossary .....	13
7.3 Feature Description.....	8	<b>12 Mechanical, Packaging, and Orderable Information</b> .....	13

## 4 Revision History

DATE	REVISION	NOTES
February 2017	*	Initial release.

## 5 Pin Configuration and Functions



### Pin Functions

PIN		TYPE	DESCRIPTION
NAME	NO.		
CC2 <sup>(1)</sup>	1	I/O	Type-C configuration channel signal 2
CURRENT_MODE	2	I	Advertise VBUS current. This 3-level input is used to control Type-C current advertisement. The pin can be dynamically set. L - Default Current is 500 mA for USB 2.0 and 900 mA for USB 3.1. Pull-down to GND or leave unconnected. M - Medium current is 1.5 A. Pull-up to TUSB319-Q1 V <sub>DD</sub> with 500-kΩ resistor. H - High current is 3 A. Pull-up to TUSB319-Q1 V <sub>DD</sub> with 10-kΩ resistor.
VBUS_DET	3	I	5-V to 28-V system V <sub>BUS</sub> input voltage. One 900-kΩ external resistor required between system V <sub>BUS</sub> and VBUS_DET pin.
DIR	4	O	Type-C plug orientation. This open drain output indicates the detected plug orientation: Type-C plug position 2 (H); Type-C plug position 1 (L).
ID <sup>(1)</sup>	5	O	Open drain output; asserted low when the CC pins detect device attachment.
GND	6	G	Ground
VDD	7	P	3.8-V to 5-V power
CC1 <sup>(1)</sup>	8	I/O	Type-C configuration channel signal 1

(1) CC1, CC2 and ID pins are failsafe with leakage current defined in the [Electrical Characteristics](#).

## 6 Specifications

### 6.1 Absolute Maximum Ratings

over operating free-air temperature range (unless otherwise noted)<sup>(1)</sup>

		MIN	MAX	UNIT
Supply voltage	V <sub>DD</sub>	-0.3	6	V
Control pins	CC1, CC2, CURRENT_MODE, ID, DIR	-0.3	6	V
	VBUS_DET	-0.3	4	
Storage temperature, T <sub>stg</sub>		-65	150	°C

(1) Stresses beyond those listed under *Absolute Maximum Ratings* may cause permanent damage to the device. These are stress ratings only, which do not imply functional operation of the device at these or any other conditions beyond those indicated under *Recommended Operating Conditions*. Exposure to absolute-maximum-rated conditions for extended periods may affect device reliability.

### 6.2 ESD Ratings

		VALUE	UNIT
V <sub>(ESD)</sub> Electrostatic discharge	Human-body model (HBM), per AEC Q100-002 <sup>(1)</sup>	±3000	V
	Charged-device model (CDM), per AEC Q100-0111	±1500	

(1) AEC Q100-002 indicates that HBM stressing shall be in accordance with the ANSI/ESDA/JEDEC JS-001 specification.

### 6.3 Recommended Operating Conditions

over operating free-air temperature range (unless otherwise noted)

		MIN	NOM	MAX	UNIT
V <sub>DD</sub>	Supply voltage range	3.8		5.5	V
V <sub>DD(transient)</sub>	Transient voltage (with maximum width of 5 ms)	3.5		6	V
V <sub>DD(ramp)</sub>	V <sub>DD</sub> ramp time			40	mS
V <sub>BUS</sub>	System V <sub>BUS</sub> voltage	0	5	28	V
VBUS_DET	VBUS_DET threshold voltage on the pin			3.8	V
T <sub>A</sub>	Operating free air temperature range	-40	25	85	°C
T <sub>J</sub>	Junction temperature	-40		105	°C

### 6.4 Thermal Information

THERMAL METRIC <sup>(1)</sup>		TUSB319-Q1	UNIT
		DRF (WSON)	
		8 PINS	
R <sub>θJA</sub>	Junction-to-ambient thermal resistance	92.7	°C/W
R <sub>θJC(top)</sub>	Junction-to-case (top) thermal resistance	66.6	°C/W
R <sub>θJB</sub>	Junction-to-board thermal resistance	40.8	°C/W
Ψ <sub>JT</sub>	Junction-to-top characterization parameter	3.4	°C/W
Ψ <sub>JB</sub>	Junction-to-board characterization parameter	46.3	°C/W
R <sub>θJC(bot)</sub>	Junction-to-case (bot) thermal resistance	43.5	°C/W

(1) For more information about traditional and new thermal metrics, see the [Semiconductor and C Package Thermal Metrics](#) application report.

## 6.5 Electrical Characteristics

over operating free-air temperature range (unless otherwise noted)

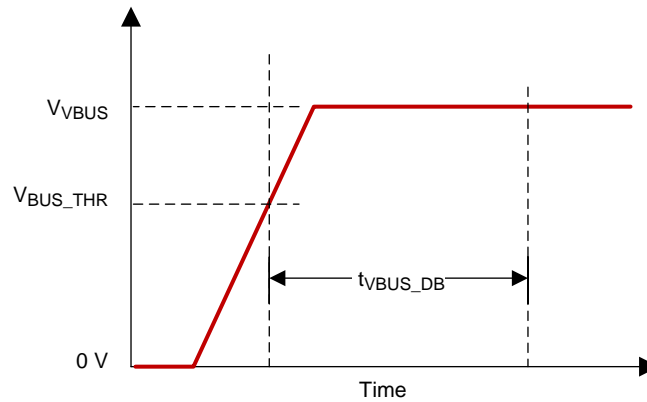
PARAMETER		TEST CONDITIONS	MIN	TYP	MAX	UNIT
Device average power consumption		Active		105	140	μA
		Unattached		105	140	μA
<b>CC1 and CC2 Pins</b>						
$I_{CC(DEF\_P)}$	Default mode pullup current source.		64	80	96	μA
$I_{CC(MED\_P)}$	Medium (1.5 A) mode pullup current source.		166	180	194	μA
$I_{CC(HIGH\_P)}$	High (3 A) mode pullup current source.		304	330	356	μA
$I_{(FS,CC)}$	Fail safe current (CC1, CC2)	VDD = 0 V, CC1, CC2 = 5 V			1	μA
<b>Control Pins: CURRENT_MODE, DIR, ID</b>						
$V_{IL}$	Low-level control signal input voltage, (CURRENT_MODE)				0.4	V
$V_{IM}$	Mid-level control signal input voltage (CURRENT_MODE)		$0.28 \times V_{DD}$		$0.56 \times V_{DD}$	V
$V_{IH}$	High-level control signal input voltage (CURRENT_MODE)		$V_{DD} - 0.3$			V
$I_{IH}$	High-level input current		-1		1	μA
$I_{IL}$	Low-level input current		-1		1	μA
$I_{(FS,ID)}$	Fail safe current (ID)	VDD = 0 V, ID = 5 V			1	μA
$R_{PD(CUR)}$	Internal pulldown resistance for CURRENT_MODE pin			275		kΩ
$V_{OL}$	Low-level signal output voltage (open-drain) (ID and DIR)	$I_{OL} = -1.6$ mA			0.4	V
$R_{p(ODext)}$	External pullup resistor on open drain IOs (ID and DIR)			200		kΩ
$R_{p(cm\_med)}$	External pull-up resistor on CURRENT_MODE pin to advertise 1.5-A current			500		kΩ
$R_{p(cm\_high)}$	External pull-up resistor on CURRENT_MODE pin to advertise 3-A current			10		kΩ
<b>VBUS_DET IO Pins (Connected to System V<sub>BUS</sub> signal through external resistor)</b>						
$V_{BUS(THR)}$	V <sub>BUS</sub> threshold range		2.4	3.3	4.2	V
$V_{BUS\_DET(THR)}$	V <sub>BUS_DET</sub> pin threshold		236	315	394	mV
$R_{VBUS}$	External resistor between V <sub>BUS</sub> and V <sub>BUS_DET</sub> pin		850	900 <sup>(1)</sup>	910	KΩ
$R_{VBUS(PD)}$	Internal pulldown resistance for V <sub>BUS_DET</sub>			95		KΩ

- (1) If smaller  $R_{VBUS}$  is desired add an additional resistor from V<sub>BUS\_DET</sub> pin to GND in parallel to internal 95K resistor keeping the same ratio of pull-up and pull-down resistors.

## 6.6 Switching Characteristics

over operating free-air temperature range (unless otherwise noted)

PARAMETER		MIN	TYP	MAX	UNIT
$t_{\text{CCCB\_DEFAULT}}$	Port attachment debounce time		168		ms
$t_{\text{VBUS\_DB}}$	Debounce of VBUS_DET pin after valid $V_{\text{BUS\_THR}}$ (See Figure 1.)		2		ms



**Figure 1. VBUS Detect and Debounce**

## 7 Detailed Description

### 7.1 Overview

The USB Type-C ecosystem operates around a small form factor connector and cable that is flippable and reversible. Because of the nature of the connector, a scheme is needed to determine the connector orientation. Additional schemes are needed to determine when a USB port is attached and the acting role of the USB port (DFP, UFP), as well as to communicate Type-C current capabilities. These schemes are implemented over the CC pins according to the USB Type-C specifications. The TUSB319-Q1 device provides Configuration Channel (CC) logic for determining USB port attach and detach, cable orientation, and Type-C current mode for DFP applications.

#### 7.1.1 Cables, Adapters, and Direct Connect Devices

*Type-C Specifications* defines several cables, plugs and receptacles to be used to attach ports. The TUSB319-Q1 device supports all cables, receptacles, and plugs. The device does not support e-marking.

##### 7.1.1.1 USB Type-C Receptacles and Plugs

Below is list of Type-C receptacles and plugs supported by the device:

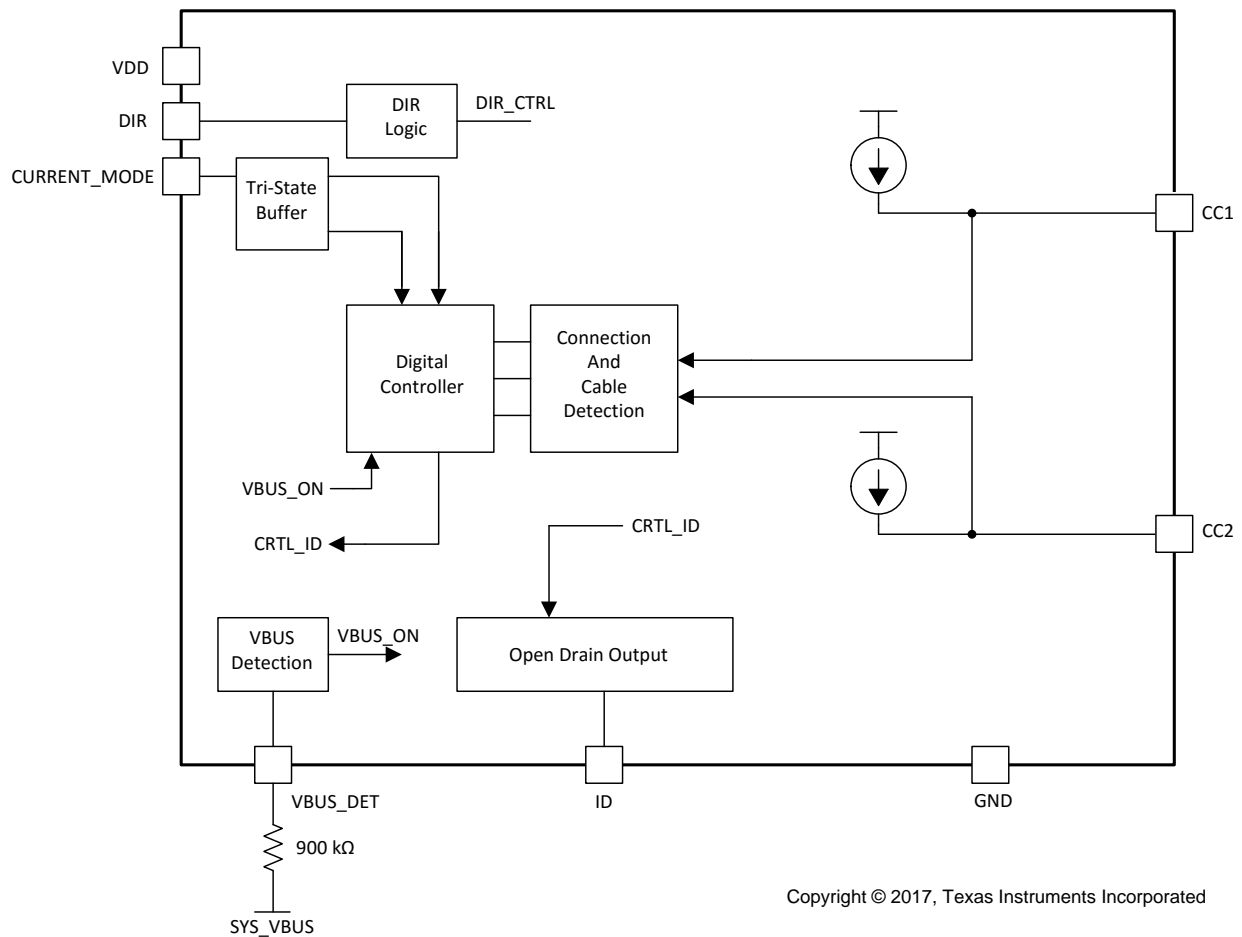
- USB Type-C receptacle for USB2.0 and USB3.1 and full-featured platforms and devices
- USB full-featured Type-C plug
- USB2.0 Type-C plug

##### 7.1.1.2 USB Type-C Cables

Below is a list of Type-C cables types supported by the device:

- USB full-featured Type-C cable with USB3.1 full-featured plug
- USB2.0 Type-C cable with USB2.0 plug
- Captive cable with either a USB full-featured plug or USB2.0 plug

## 7.2 Functional Block Diagram



Copyright © 2017, Texas Instruments Incorporated

## 7.3 Feature Description

**Table 1. Supported Features for the TUSB319-Q1 Device by Mode**

SUPPORTED FEATURES	DFP
Port attach and detach	Yes
Cable orientation	Yes
Current advertisement	Yes
Legacy cables	Yes

### 7.3.1 Downstream Facing Port (DFP) - Source

The TUSB319-Q1 is a DFP device; it presents the appropriate  $R_p$  resistors on both CC pins, based on the state of the CURRENT\_MODE pin to advertise the desired current level (USB-standard, 1.5 A and 3 A).

The TUSB319-Q1 can operate with older USB Type-C 1.0 devices except for a USB Type-C 1.0 DRP device. This limitation is a result of backwards compatibility problem between USB Type-C 1.1 DFP and a USB Type-C 1.0 DRP.



### 7.3.2 Type-C Current Mode

The TUSB319-Q1 device supports both advertising Type-C current by means of the CURRENT\_MODE pin, which allows the CC controller to advertise 500 mA (for USB2.0) or 900 mA (for USB3.1) if CURRENT\_MODE pin is left unconnected or pulled to GND. If a higher level of current is required, the CURRENT\_MODE can be pulled up to VDD through a 500-kΩ resistor to advertise medium current at 1.5 A or pulled up to V<sub>DD</sub> through a 10-kΩ resistor to advertise high current at 3 A. Table 2 lists the Type-C current advertisements and detection.

**Table 2. Type-C Current Advertisement and Detection**

TYPE-C CURRENT		CURRENT ADVERTISEMENT
Default	500 mA (USB2.0) 900 mA (USB3.1)	CURRENT_MODE = L
	Medium - 1.5 A	CURRENT_MODE = M
	High - 3 A	CURRENT_MODE = H

### 7.3.3 V<sub>BUS</sub> Detection

The TUSB319-Q1 device supports VBUS detection according to the Type-C Specification. The system VBUS voltage must be routed through a 900-kΩ resistor to the VBUS\_DET pin on the TUSB319-Q1. When voltage on VBUS\_DET pin is below the V<sub>BUS(THR)</sub> and R<sub>d</sub> is detected on either CC1 or CC2, the TUSB319 assumes system V<sub>BUS</sub> is at vSafe0V (V<sub>BUS</sub> < 800 mV) and will assert ID low.

If VBUS\_DET pin is left unconnected system needs to ensure that the VBUS level is below vSafe0V before VBUS is enabled.

### 7.3.4 Cable Orientation

The TUSB319-Q1 detects the cable orientation by monitoring the voltage on the CC pins. When a voltage level within the proper threshold is detected on CC1, the DIR pin is pulled low. When a voltage level within the proper threshold is detected on CC2, the DIR is pulled high. The DIR pin is an open drain output.

## 7.4 Device Functional Modes

The TUSB319-Q1 device has two functional modes. Table 3 lists these modes:

**Table 3. USB Type-C States According to TUSB319-Q1 Functional Modes**

MODES	GENERAL BEHAVIOR	STATES <sup>(1)</sup>
Unattached	USB port unattached.	Unattached.SRC
		AttachWait.SRC
Active	USB port attached.	Attached.SRC

(1) Required; not in sequential order.

### 7.4.1 Unattached Mode

Unattached mode is the primary mode of operation for the TUSB319-Q1 device, because a USB port can be unattached for a lengthy period of time. In unattached mode, all IOs are operational. After the TUSB319-Q1 device is powered up, the part enters unattached mode until a successful attach has been determined.

### 7.4.2 Active Mode

Active mode is defined as the port being attached. When in active mode, the TUSB319-Q1 device communicates to the system that the USB port is attached. This happens through the ID pin. The TUSB319-Q1 device exits active mode when the cable is unplugged.

## 8 Application and Implementation

### NOTE

Information in the following applications sections is not part of the TI component specification, and TI does not warrant its accuracy or completeness. TI’s customers are responsible for determining suitability of components for their purposes. Customers should validate and test their design implementation to confirm system functionality.

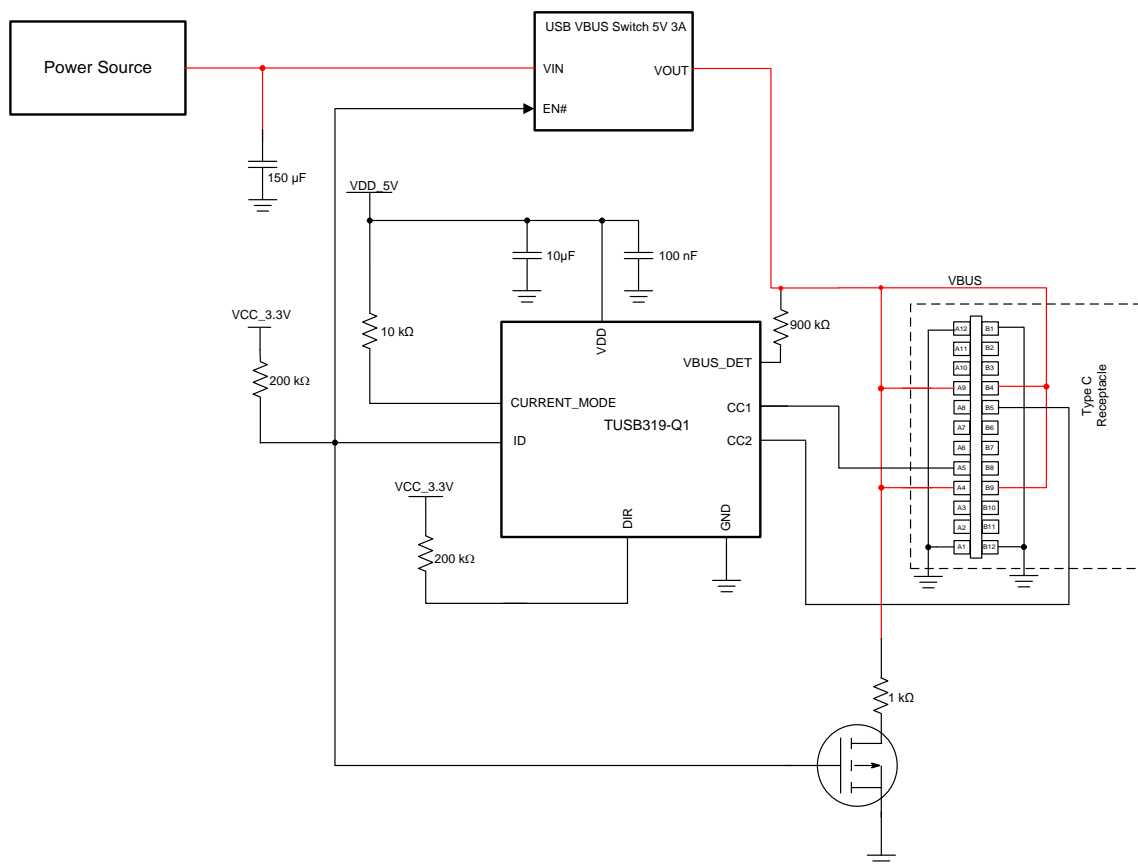
### 8.1 Application Information

The TUSB319-Q1 device is a Type-C configuration channel logic and port controller. The TUSB319-Q1 device can detect when a Type-C device is attached, what type of device is attached, the orientation of the cable, and power capabilities, this power capabilities are sourcing only since the TUSB319-Q1 device can be used in a source application (DFP) only.

### 8.2 Typical Application

#### 8.2.1 DFP Mode

Figure 2 shows the TUSB319-Q1 on a DFP port with USB3 functionality.



Copyright © 2017, Texas Instruments Incorporated

**Figure 2. DFP Mode Schematic**

## Typical Application (continued)

### 8.2.1.1 Design Requirements

For this design example, use the parameters listed in [Table 4](#):

**Table 4. Design Requirements for DFP Mode**

DESIGN PARAMETER	VALUE
V <sub>DD</sub> (3.8 V to 5.5 V)	5 V
Advertised Type-C Current (Default, 1.5 A, 3 A)	3 A

### 8.2.1.2 Detailed Design Procedure

The TUSB319-Q1 device supports a V<sub>DD</sub> in the range of 3.8 V to 5.5 V. In this particular case, V<sub>DD</sub> is set to 5 V. A 100-nF capacitor is placed near V<sub>DD</sub>.

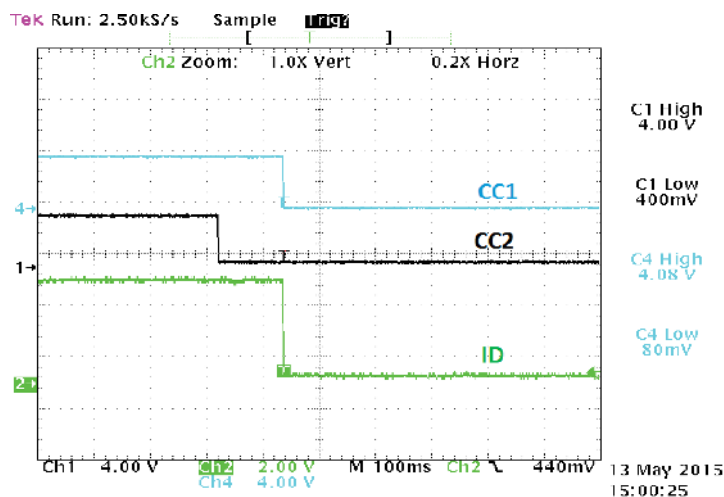
The TUSB319-Q1 current advertisement is determined by the state of the CURRENT\_MODE pin. In this particular example, 3 A advertisement is desired so the CURRENT\_MODE pin is pulled high to V<sub>DD</sub> through 10-kΩ resistor.

The VBUS\_DET pin must be connected through a 900-kΩ resistor to V<sub>BUS</sub> on the Type-C that is connected. This large resistor is required to protect the TUSB319-Q1 device from large V<sub>BUS</sub> voltage that is possible in present day systems. This resistor along with internal pulldown keeps the voltage observed by the TUSB319-Q1 device in the recommended range.

The USB2 specification requires the bulk capacitance on V<sub>BUS</sub> of at least 120 μF. In this particular case, a 150-μF capacitor was chosen.

TUSB319-Q1 does not provide VBUS discharge and requires an external solution either through switched resistor pull-down as shown in [Figure 2](#) or elsewhere in the system.

### 8.2.1.3 Application Curve



**Figure 3. CC Detection**

### 8.3 Initialization Set Up

The general power-up sequence for the TUSB319-Q1 device is as follows:

1. System is powered off (device has no VDD).
2.  $V_{DD}$  ramps – POR circuit.
3. The TUSB319-Q1 device enters unattached mode.
4. The TUSB319-Q1 device monitors the CC pins.
5. The TUSB319-Q1 device enters active mode when attach has been successfully detected.

## 9 Power Supply Recommendations

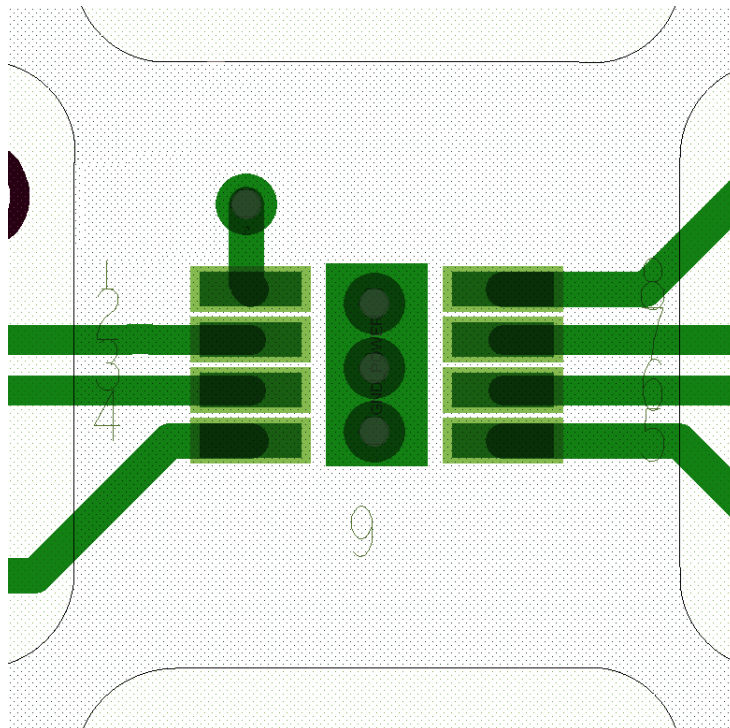
The TUSB319-Q1 device has a wide power supply range from 3.8 V to 5.5 V.

## 10 Layout

### 10.1 Layout Guidelines

1. An extra trace (or stub) is created when connecting between more than two points. A trace connecting pin A6 to pin B6 will create a stub because the trace also has to go to the USB Host. Ensure that:
  - A stub created by short on pin A6 (DP) and pin B6 (DP) at Type-C receptacle does not exceed 3.5 mm.
  - A stub created by short on pin A7 (DM) and pin B7 (DM) at Type-C receptacle does not exceed 3.5 mm.
2. A 100-nF capacitor should be placed as close as possible to the VDD pin.

### 10.2 Layout Example



**Figure 4. Example Layout**

## 11 Device and Documentation Support

### 11.1 Receiving Notification of Documentation Updates

To receive notification of documentation updates, navigate to the device product folder on ti.com. In the upper right corner, click on *Alert me* to register and receive a weekly digest of any product information that has changed. For change details, review the revision history included in any revised document.

### 11.2 Community Resources

The following links connect to TI community resources. Linked contents are provided "AS IS" by the respective contributors. They do not constitute TI specifications and do not necessarily reflect TI's views; see TI's [Terms of Use](#).

**TI E2E™ Online Community** *TI's Engineer-to-Engineer (E2E) Community*. Created to foster collaboration among engineers. At e2e.ti.com, you can ask questions, share knowledge, explore ideas and help solve problems with fellow engineers.

**Design Support** *TI's Design Support* Quickly find helpful E2E forums along with design support tools and contact information for technical support.

### 11.3 Trademarks

E2E is a trademark of Texas Instruments.  
All other trademarks are the property of their respective owners.

### 11.4 Electrostatic Discharge Caution



These devices have limited built-in ESD protection. The leads should be shorted together or the device placed in conductive foam during storage or handling to prevent electrostatic damage to the MOS gates.

### 11.5 Glossary

[SLYZ022](#) — *TI Glossary*.

This glossary lists and explains terms, acronyms, and definitions.

## 12 Mechanical, Packaging, and Orderable Information

The following pages include mechanical, packaging, and orderable information. This information is the most current data available for the designated devices. This data is subject to change without notice and revision of this document. For browser-based versions of this data sheet, refer to the left-hand navigation.

**PACKAGING INFORMATION**

Orderable Device	Status (1)	Package Type	Package Drawing	Pins	Package Qty	Eco Plan (2)	Lead finish/ Ball material (6)	MSL Peak Temp (3)	Op Temp (°C)	Device Marking (4/5)	Samples
TUSB319IDRFQR1	ACTIVE	WSON	DRF	8	3000	RoHS & Green	NIPDAU	Level-2-260C-1 YEAR	-40 to 85	T319	<b>Samples</b>

(1) The marketing status values are defined as follows:

**ACTIVE:** Product device recommended for new designs.

**LIFEBUY:** TI has announced that the device will be discontinued, and a lifetime-buy period is in effect.

**NRND:** Not recommended for new designs. Device is in production to support existing customers, but TI does not recommend using this part in a new design.

**PREVIEW:** Device has been announced but is not in production. Samples may or may not be available.

**OBSOLETE:** TI has discontinued the production of the device.

(2) **RoHS:** TI defines "RoHS" to mean semiconductor products that are compliant with the current EU RoHS requirements for all 10 RoHS substances, including the requirement that RoHS substance do not exceed 0.1% by weight in homogeneous materials. Where designed to be soldered at high temperatures, "RoHS" products are suitable for use in specified lead-free processes. TI may reference these types of products as "Pb-Free".

**RoHS Exempt:** TI defines "RoHS Exempt" to mean products that contain lead but are compliant with EU RoHS pursuant to a specific EU RoHS exemption.

**Green:** TI defines "Green" to mean the content of Chlorine (Cl) and Bromine (Br) based flame retardants meet JS709B low halogen requirements of <=1000ppm threshold. Antimony trioxide based flame retardants must also meet the <=1000ppm threshold requirement.

(3) MSL, Peak Temp. - The Moisture Sensitivity Level rating according to the JEDEC industry standard classifications, and peak solder temperature.

(4) There may be additional marking, which relates to the logo, the lot trace code information, or the environmental category on the device.

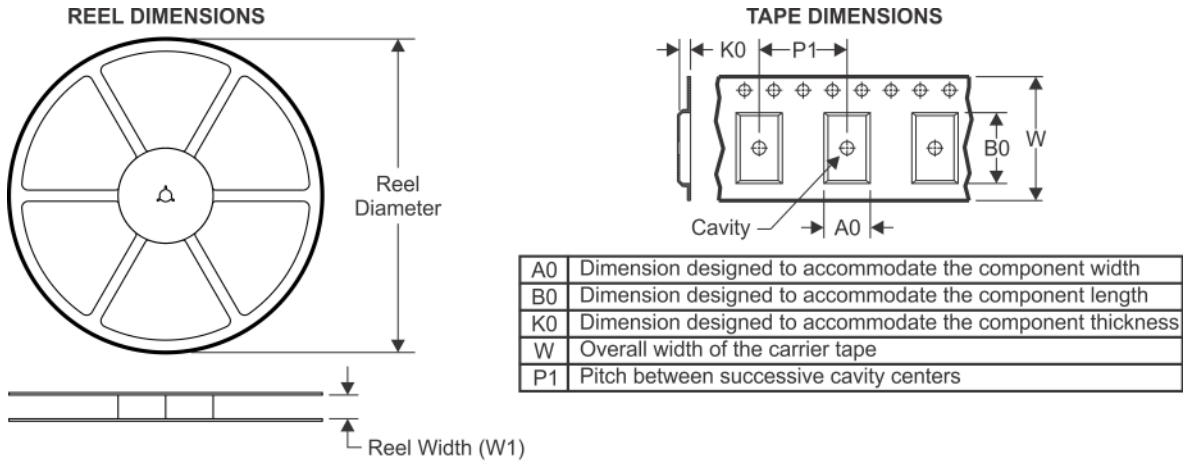
(5) Multiple Device Markings will be inside parentheses. Only one Device Marking contained in parentheses and separated by a "-" will appear on a device. If a line is indented then it is a continuation of the previous line and the two combined represent the entire Device Marking for that device.

(6) Lead finish/Ball material - Orderable Devices may have multiple material finish options. Finish options are separated by a vertical ruled line. Lead finish/Ball material values may wrap to two lines if the finish value exceeds the maximum column width.

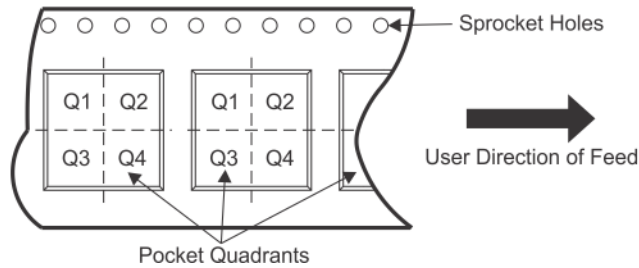
**Important Information and Disclaimer:**The information provided on this page represents TI's knowledge and belief as of the date that it is provided. TI bases its knowledge and belief on information provided by third parties, and makes no representation or warranty as to the accuracy of such information. Efforts are underway to better integrate information from third parties. TI has taken and continues to take reasonable steps to provide representative and accurate information but may not have conducted destructive testing or chemical analysis on incoming materials and chemicals. TI and TI suppliers consider certain information to be proprietary, and thus CAS numbers and other limited information may not be available for release.

In no event shall TI's liability arising out of such information exceed the total purchase price of the TI part(s) at issue in this document sold by TI to Customer on an annual basis.

## TAPE AND REEL INFORMATION



### QUADRANT ASSIGNMENTS FOR PIN 1 ORIENTATION IN TAPE



\*All dimensions are nominal

Device	Package Type	Package Drawing	Pins	SPQ	Reel Diameter (mm)	Reel Width W1 (mm)	A0 (mm)	B0 (mm)	K0 (mm)	P1 (mm)	W (mm)	Pin1 Quadrant
TUSB319IDRFQ1	WSON	DRF	8	3000	180.0	8.4	2.3	2.3	1.15	4.0	8.0	Q2

TAPE AND REEL BOX DIMENSIONS



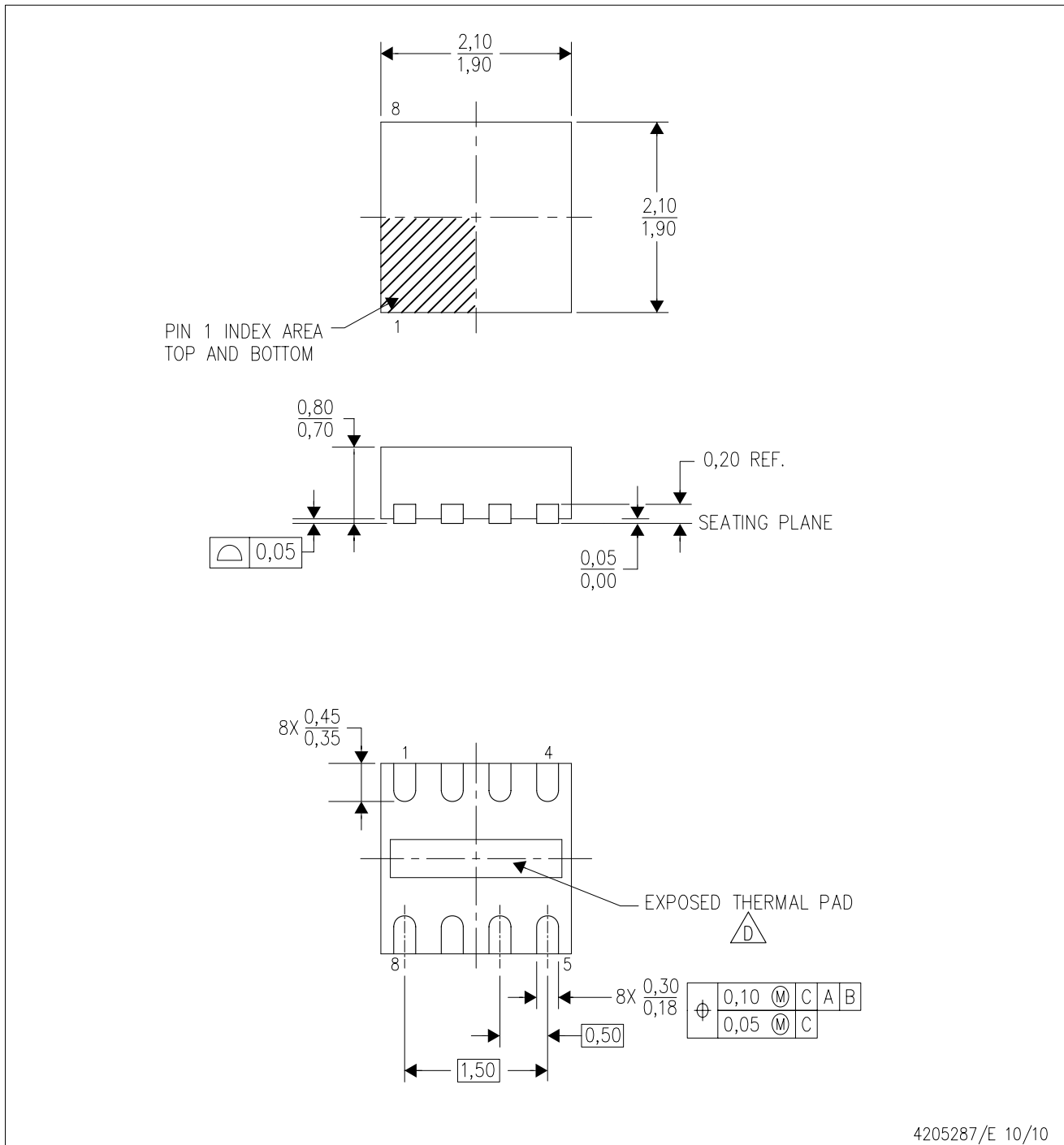
\*All dimensions are nominal


Device	Package Type	Package Drawing	Pins	SPQ	Length (mm)	Width (mm)	Height (mm)
TUSB319IDRFQRQ1	WSON	DRF	8	3000	210.0	185.0	35.0



DRF (S-PWSON-N8)

PLASTIC SMALL OUTLINE NO-LEAD



- NOTES:
- A. All linear dimensions are in millimeters. Dimensioning and tolerancing per ASME Y14.5M-1994.
  - B. This drawing is subject to change without notice.
  - C. Quad Flatpack, No-Leads (QFN) package configuration.
  -  D. The Package thermal pad must be soldered to the board for thermal and mechanical performance. See product data sheet for details regarding the exposed thermal pad dimensions.
  - E. Falls within JEDEC MO-229.

# THERMAL PAD MECHANICAL DATA

DRF (S-PWSON-N8)

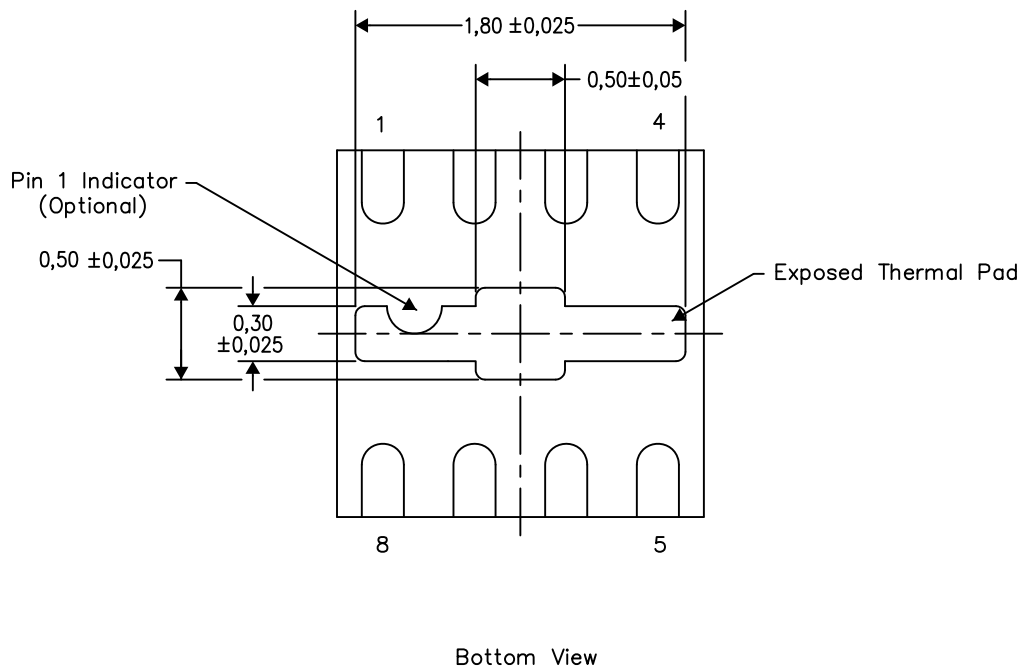
PLASTIC SMALL OUTLINE NO-LEAD

## THERMAL INFORMATION

This package incorporates an exposed thermal pad that is designed to be attached directly to an external heatsink. The thermal pad must be soldered directly to the printed circuit board (PCB). After soldering, the PCB can be used as a heatsink. In addition, through the use of thermal vias, the thermal pad can be attached directly to the appropriate copper plane shown in the electrical schematic for the device, or alternatively, can be attached to a special heatsink structure designed into the PCB. This design optimizes the heat transfer from the integrated circuit (IC).

For information on the Quad Flatpack No-Lead (QFN) package and its advantages, refer to Application Report, QFN/SOIC PCB Attachment, Texas Instruments Literature No. SLUA271. This document is available at [www.ti.com](http://www.ti.com).

The exposed thermal pad dimensions for this package are shown in the following illustration.



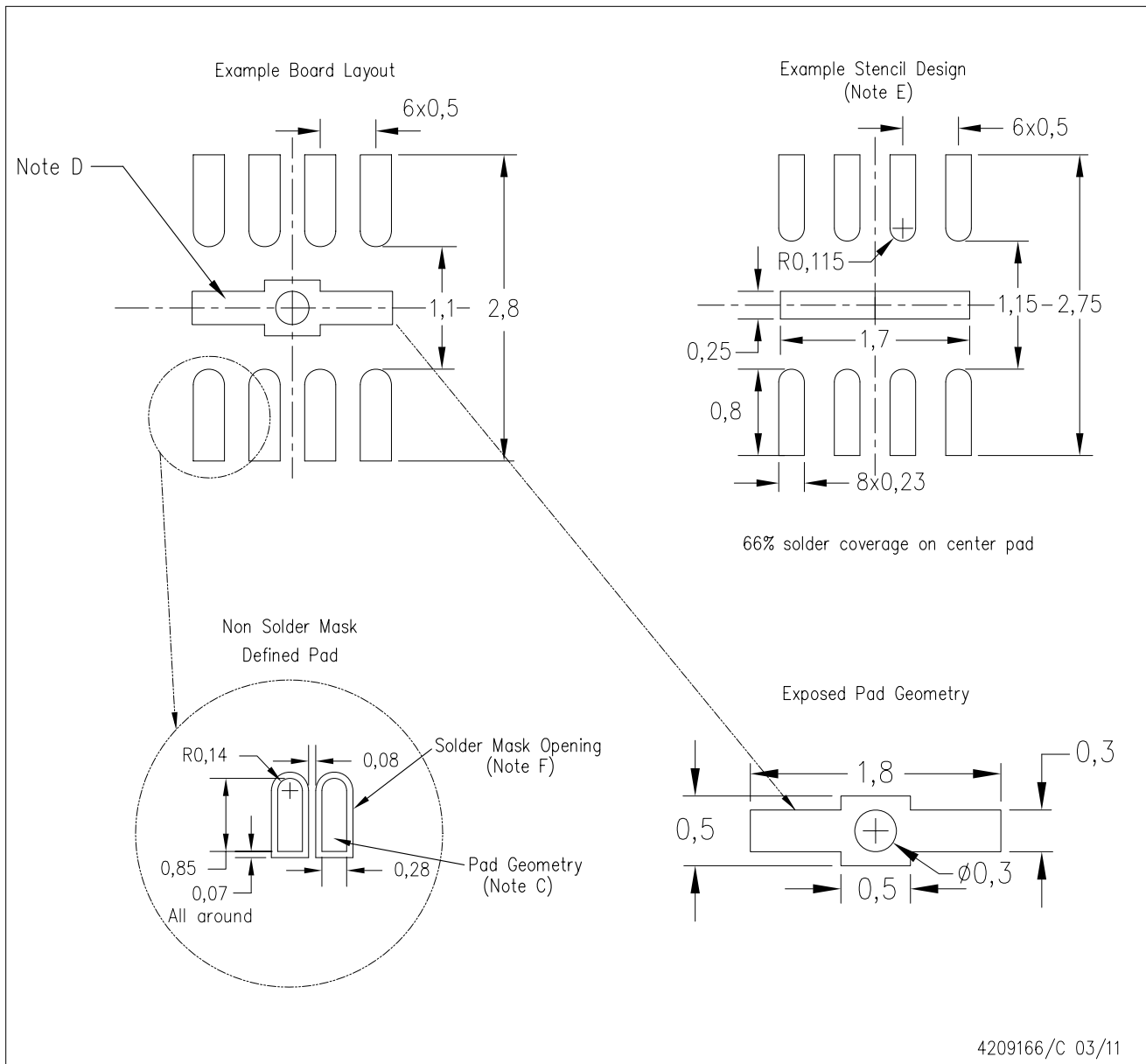
Exposed Thermal Pad Dimensions

4206840/H 12/14

NOTE: A. All linear dimensions are in millimeters

DRF (S-PWSON-N8)

PLASTIC SMALL OUTLINE NO-LEAD



- NOTES:
- All linear dimensions are in millimeters.
  - This drawing is subject to change without notice.
  - Publication IPC-7351 is recommended for alternate designs.
  - This package is designed to be soldered to a thermal pad on the board. Refer to Application Note, Quad Flat-Pack Packages, Texas Instruments Literature No. SLUA271, and also the Product Data Sheets for specific thermal information, via requirements, and recommended board layout. These documents are available at [www.ti.com](http://www.ti.com) <<http://www.ti.com>>.
  - Laser cutting apertures with trapezoidal walls and also rounding corners will offer better paste release. Customers should contact their board assembly site for stencil design recommendations. Refer to IPC 7525 for stencil design considerations.
  - Customers should contact their board fabrication site for minimum solder mask web tolerances between signal pads.

## IMPORTANT NOTICE AND DISCLAIMER

TI PROVIDES TECHNICAL AND RELIABILITY DATA (INCLUDING DATASHEETS), DESIGN RESOURCES (INCLUDING REFERENCE DESIGNS), APPLICATION OR OTHER DESIGN ADVICE, WEB TOOLS, SAFETY INFORMATION, AND OTHER RESOURCES "AS IS" AND WITH ALL FAULTS, AND DISCLAIMS ALL WARRANTIES, EXPRESS AND IMPLIED, INCLUDING WITHOUT LIMITATION ANY IMPLIED WARRANTIES OF MERCHANTABILITY, FITNESS FOR A PARTICULAR PURPOSE OR NON-INFRINGEMENT OF THIRD PARTY INTELLECTUAL PROPERTY RIGHTS.

These resources are intended for skilled developers designing with TI products. You are solely responsible for (1) selecting the appropriate TI products for your application, (2) designing, validating and testing your application, and (3) ensuring your application meets applicable standards, and any other safety, security, or other requirements. These resources are subject to change without notice. TI grants you permission to use these resources only for development of an application that uses the TI products described in the resource. Other reproduction and display of these resources is prohibited. No license is granted to any other TI intellectual property right or to any third party intellectual property right. TI disclaims responsibility for, and you will fully indemnify TI and its representatives against, any claims, damages, costs, losses, and liabilities arising out of your use of these resources.

TI's products are provided subject to TI's Terms of Sale ([www.ti.com/legal/termsofsale.html](http://www.ti.com/legal/termsofsale.html)) or other applicable terms available either on [ti.com](http://ti.com) or provided in conjunction with such TI products. TI's provision of these resources does not expand or otherwise alter TI's applicable warranties or warranty disclaimers for TI products.

Mailing Address: Texas Instruments, Post Office Box 655303, Dallas, Texas 75265  
Copyright © 2020, Texas Instruments Incorporated