



MUSBS-05-S-B-TH-TR



SPM-05-S-B-VT1-PF

SPM-05-S-B-RA-PF



SPM, MUSBS SERIES

IP68 SEALED MINI USB PORT

Mates with:
USBC

SPECIFICATIONS

For complete specifications and recommended PCB layouts see www.samtec.com?SPM

Insulator Material: Black Liquid Crystal Polymer

Contact Material: Phosphor Bronze

Shield Material: Phosphor Bronze

Plating: 30µ" (0,76µm) Au over 50µ" (1,27µm) Ni, Sn on tail

Operating Temp Range: -55°C to +125°C

Current Rating: 1.9A per contact

Voltage Rating: 190 VAC

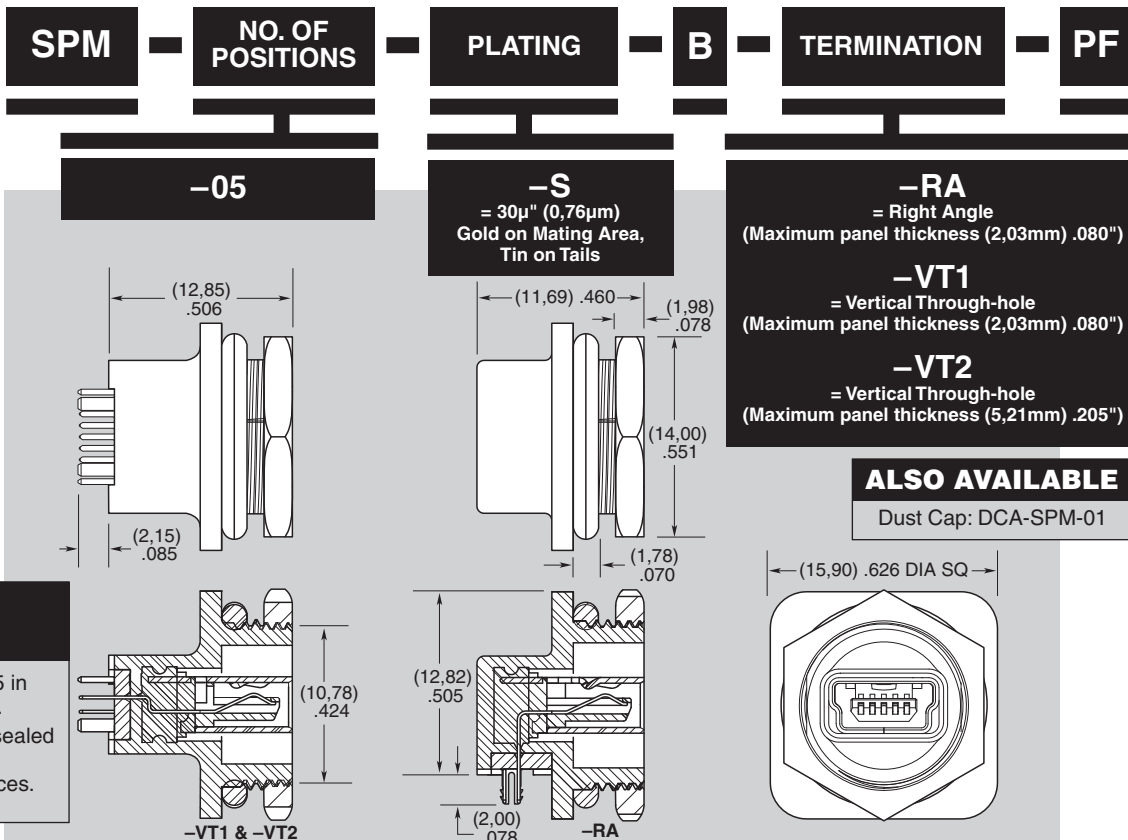
Contact Resistance: 15 mΩ max charge from initial

Minimum Cycles: 1000

Seal: Silicone

RoHS Compliant: Yes

Lead-Free Solderable: Yes



ALSO AVAILABLE

- Sealed port USB and RJ45 in development. Call Samtec.
- See our AccliMate™ IP68 sealed connectors for a full line of rugged Panel & I/O interfaces.

SPECIFICATIONS

For complete specifications and recommended PCB layouts see www.samtec.com?MUSBS

Insulator Material: Black High Temperature Thermoplastic

Contact Material: Phosphor Bronze

Shell Material: Phosphor Bronze

Plating: Gold on Mating Area, Nickel on Shell, Tin on Tails

Operating Temp Range: -50°C to +85°C

Current Rating: 2A per contact

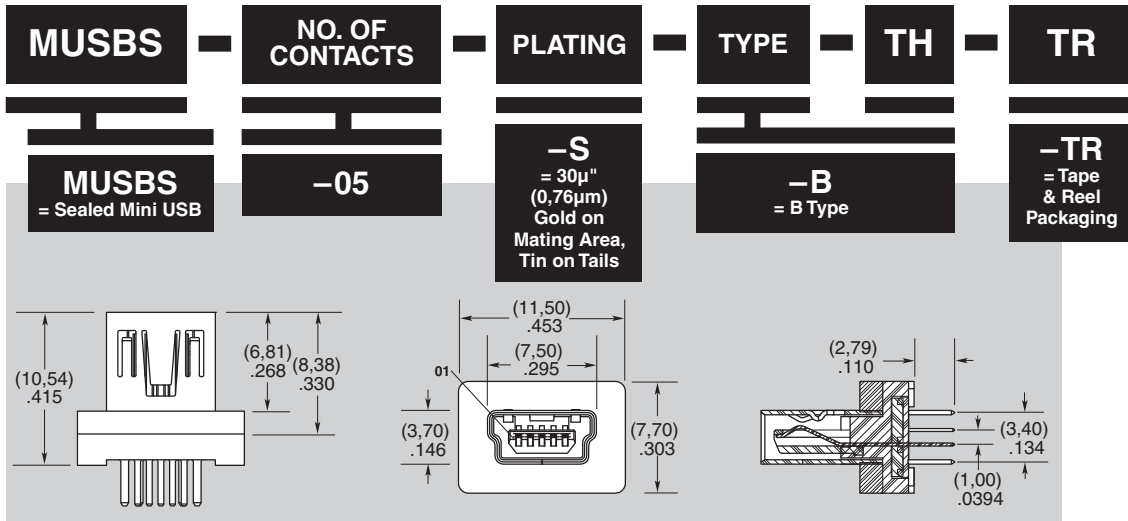
Voltage Rating: 30 VRMS

Contact Resistance: 50 mΩ max

Minimum Cycles: 5000

RoHS Compliant: Yes

Lead-Free Solderable: Yes



Due to technical progress, all designs, specifications and components are subject to change without notice.

WWW.SAMTEC.COM