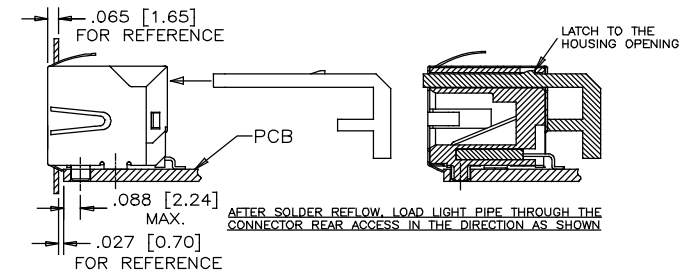
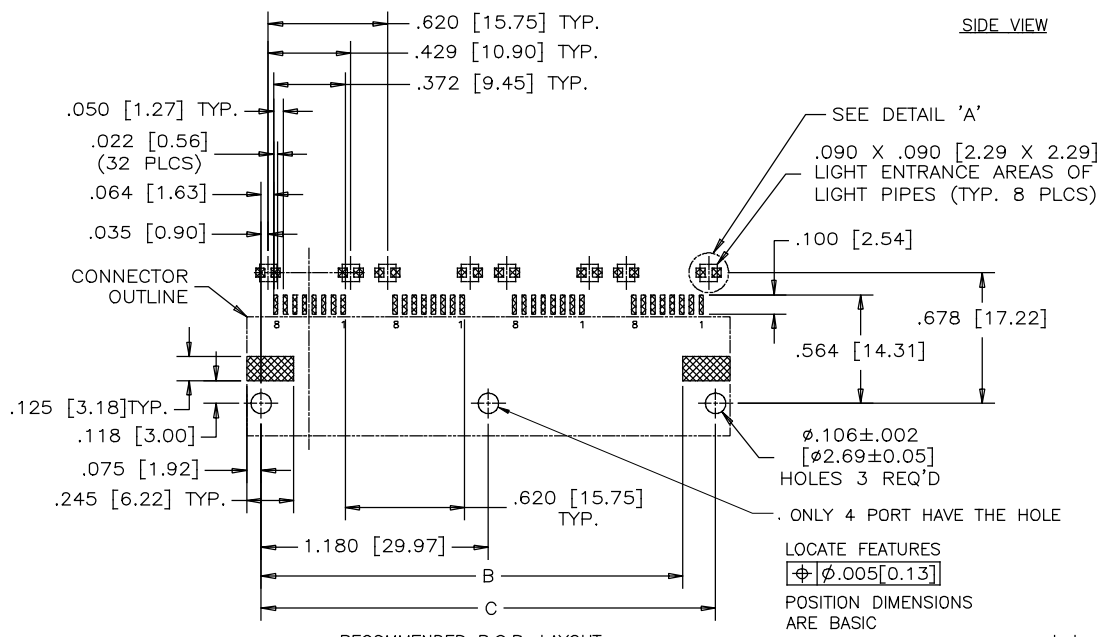
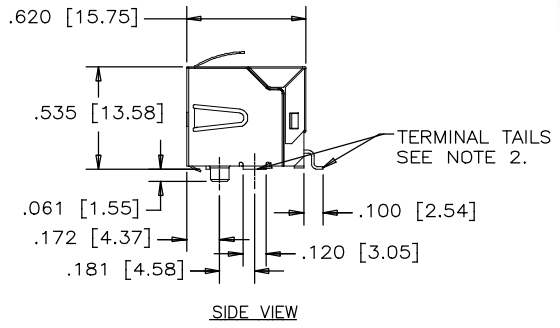
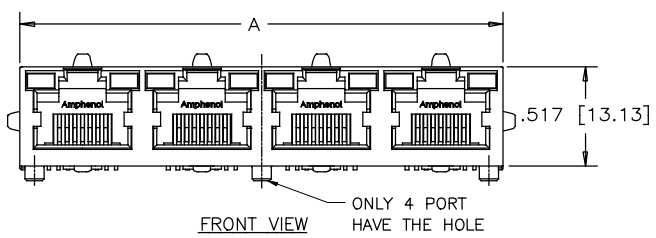




REVISIONS				
SYM	ZONE	DESCRIPTION	DATE	APPRD.
A		PROPOSAL	SEPT 22/08	L.CHAN
B		UPDATE DRAWING	MAR 12/15	L.CHAN
C		CORRECT DIMENSION	JAN 14/16	L.CHAN

**LIGHT PIPE RJ SSE-2485-01**  
 LIGHT PIPE PART NUMBER RJ SSE248501 MUST BE ORDERED SEPARATELY



- NOTE:  
 1. MATERIALS:  
 PLASTIC HOUSING: HIGH TEMPERATURE THERMOPLASTIC  
 FLAMMABILITY RATING UL 94V-0  
 COLOR: BLACK
- CONTACTS: PHOSPHOR BRONZE  
 PLATING: 20 μ" [0.51 MICRONS]  
 MIN. GOLD ON MATING SURFACES.  
 50 μ" [1.27 MICRONS]  
 MIN. NICKEL UNDERPLATE.  
 100 μ" [2.54 MICRONS]  
 MIN. PURE TIN ON CONTACT TAILS.
- SHIELD: COPPER ALLOY PLATED NICKEL
2. COPLANARITY SPECIFICATION:  
 WITH THE MODULAR JACK SITTING ON A LEVEL SURFACE,  
 THE MAXIMUM GAP BETWEEN BOTH SHIELD NAILS AND ALL  
 TERMINAL TAILS IS .004 [0.10].

AMPHENOL PART NUMBER: RJ SSE-5382-XX

PORT NUMBER  
 BLANK-1 PORT  
 02-2 PORT  
 04-4 PORT

NUMBER OF PORT	DIM A	DIM B	DIM C	DIM D
1 PORT	.650 [16.51]	.330 [8.38]	.500 [12.70]	.665 [16.89]
2 PORT	1.27 [32.26]	.780 [19.81]	1.120 [28.45]	1.285 [32.64]
4 PORT	2.510 [63.75]	2.190 [55.64]	2.360 [59.94]	2.525 [64.14]

DRAWN	J.OUYANG	DATE	SEPT 22/08
DESIGNED	MT.CHAN	DATE	SEPT 22/08
CHECKED	L.CHAN	DATE	SEPT 22/08
I. E. APPRD.			
Q. A. APPRD.			
DWG. APPRD.			
ENG. REL. NO.			
REF.	EAR #13336		
DIMENSIONS ARE IN		CODE ID. NO.	
INCHES [mm]		03554	

Amphenol Canada Corp.			
TITLE SURFACE MOUNT JACK, 8 POSITION, 8 CONTACTS, SHIELDED, WITH LIGHT PIPES HOLE, LIGHT PIPE ORDERED SEPARATELY- RoHS COMPLIANT			
DWG	DRAWING NO.	REV.	
C	P-RJSSE-5382-XX	C	
SCALE	2:1	WT.	SURF.
SHEET 1 OF 1			

THIS DOCUMENT CONTAINS PROPRIETARY INFORMATION AND SUCH INFORMATION MAY NOT BE DISCLOSED TO OTHERS FOR ANY PURPOSE OR USED FOR MANUFACTURING PURPOSES WITHOUT WRITTEN PERMISSION FROM AMPHENOL CANADA CORP.