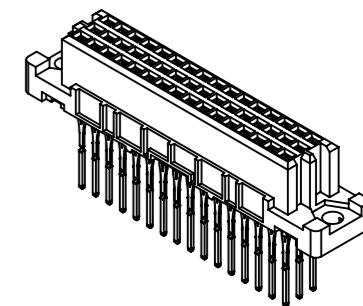
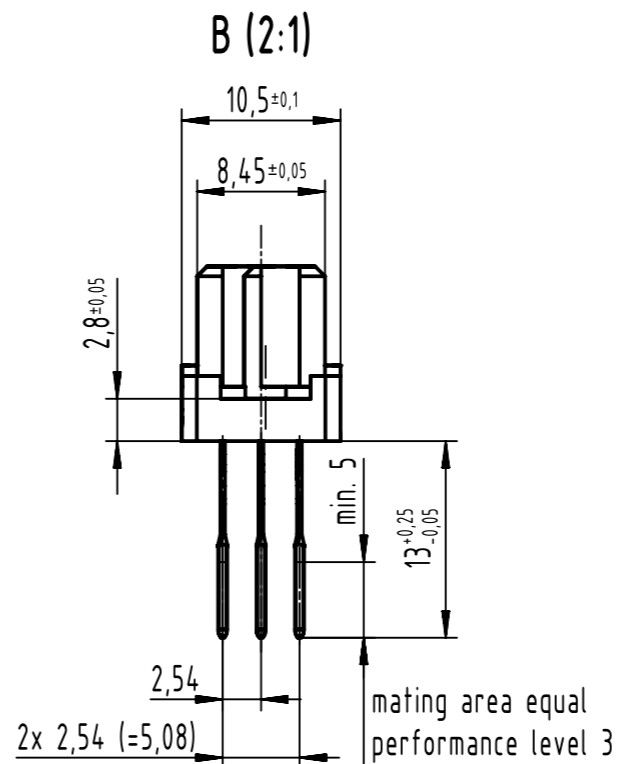
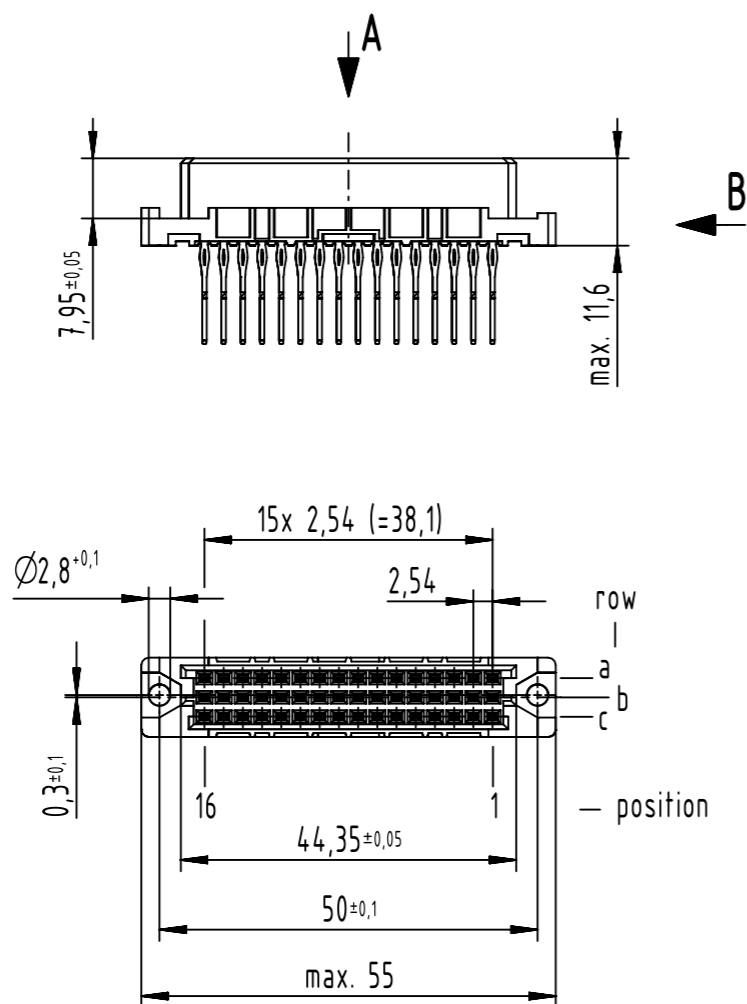


48 press-in contacts  
 ☒ = position with contact  
 □ = position without contact



1 recommended configuration of plated through holes and further information see product data sheet

09 23 248 5861 015	Au30
09 23 248 6861	2
part no.	performance level

	All rights reserved	Created by STORCK	Inspected by LEHNERT	Standardisation 302077	Date 2021-07-05	State Final Release
	Department EL PD	Title DIN Signal type 2C female press-in 13.0 48-pole			Doc-Key / ECM-Nr. 100222175/UGD/011/D 500000198117	
HARTING D-32339 Espelkamp	Type TB	Number 0923248X861		Rev. D	Page 1/1	