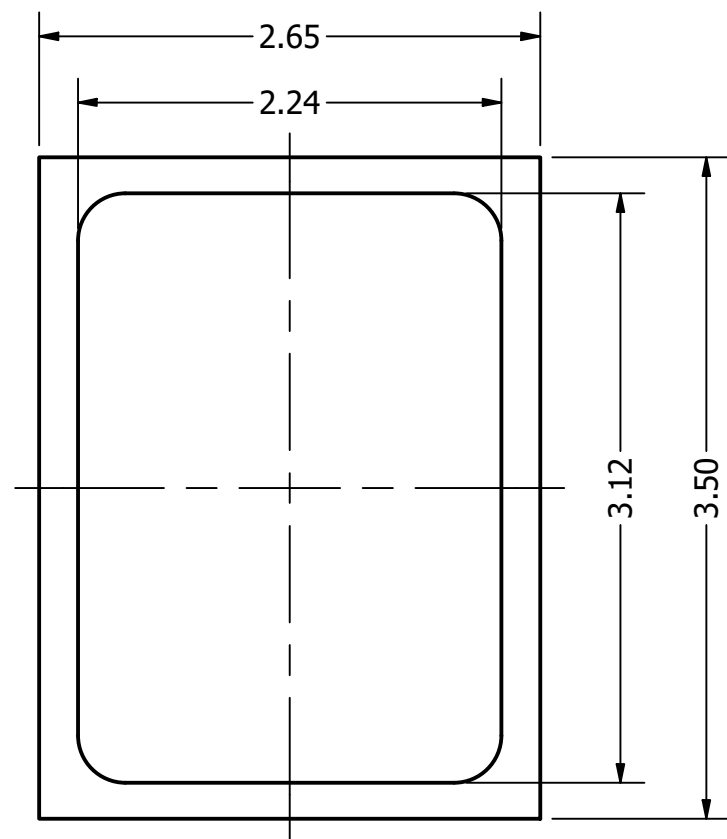
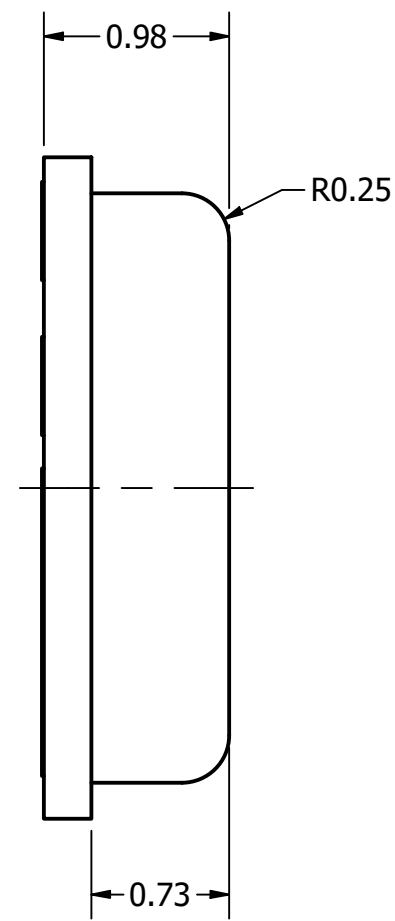


Part Number:	MM032602-1	
DRAWN	CJ	7/26/2018
CHECKED	C.H.	8/16/2018
Description:	Digital MEMS Microphone	
APPROVED	C.E.	8/16/2018
This document contains data proprietary to DB Unlimited. Any use or reproduction, in any form, without prior written permission of DB Unlimited is prohibited. All terms and conditions can be found at www.dbunlimitedco.com		

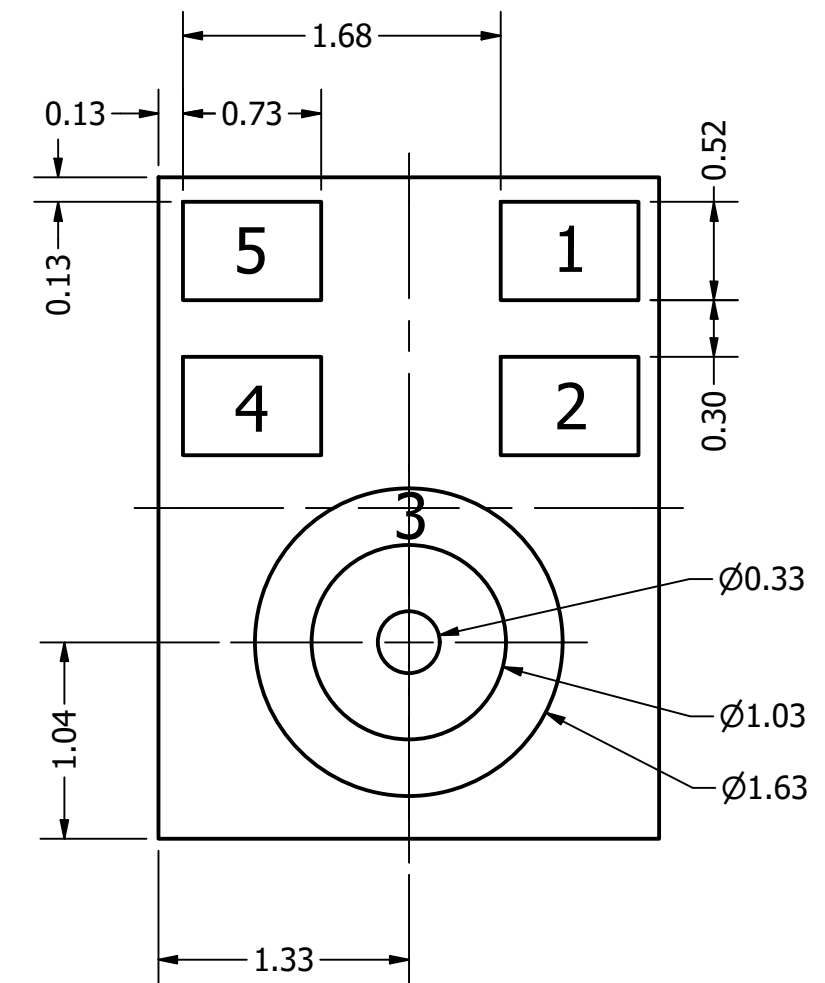
Top View



Side View



Bottom View



Pin 1	Pin 2	Pin 3	Pin 4	Pin 5
DATA	L/R	GND	CLOCK	VDD

Items	Specifications	Conditions
Directivity	Omnidirectional	
Sensitivity	-26 ± 1	dB
Frequency Range	100 ~ 10,000	Hz
Rated Voltage	2	V
Voltage Range	1.6 ~ 3.6	V
Max. Rated Current	640	µA
Power Supply Rejection	-90	dBFS (A)
Storage Temperature	-40 ~ +105	°C
Operating Temperature	-40 ~ +105	°C
Signal to Noise Ratio	64	dB
Max. Rated Current (SLEEP mode)	4	µA
Mount Type	Surface Mount	
Connection Method	Surface Mount Pads	

REVISION HISTORY

REV	DESCRIPTION	DATE	APPROVED
	Released from Engineering	8/16/2018	C.E.

NOTES

- 1) All dimensions are in mm unless otherwise noted
- 2) All tolerances are ± 0.1 mm unless otherwise noted
- 3) All parts meet RoHS
- 4) Subject to change or redrawn without notice