

# SACB-4/ 8-L- 1,5PUR SCO P - Sensor/actuator box



1097569

<https://www.phoenixcontact.com/us/products/1097569>

Please be informed that the data shown in this PDF document is generated from our online catalog. Please find the complete data in the user documentation. Our general terms of use for downloads are valid.



Sensor/actuator box, application: Standard, connection method: M12-SPEEDCON-socket Plastic, number of slots: 4, number of positions: 5, coding: A, slot assignment: Double, status display: Yes, pnp; master cable connection: Fixed connection 180°, PUR/PVC, cable length: 1.5 m, shielding: no

## Your advantages

- Save time, thanks to installation with SPEEDCON fast locking system
- Safety in the field, thanks to molded housing and high degree of protection
- Flexible, distributed bundling of signals in one master cable
- Convenient: increased machine availability thanks to quick and easy diagnostics
- Save space: distributor box with double occupancy for two sensors in one slot

## Commercial data

|                                      |               |
|--------------------------------------|---------------|
| Item number                          | 1097569       |
| Packing unit                         | 1 pc          |
| Minimum order quantity               | 1 pc          |
| Sales key                            | BF41          |
| Product key                          | BF3CBA        |
| GTIN                                 | 4055626939544 |
| Weight per piece (including packing) | 368.2 g       |
| Weight per piece (excluding packing) | 22.22 g       |
| Customs tariff number                | 85444290      |
| Country of origin                    | DE            |

# SACB-4/ 8-L- 1,5PUR SCO P - Sensor/actuator box



1097569

<https://www.phoenixcontact.com/us/products/1097569>

## Technical data

### Notes

|         |  |
|---------|--|
| General | <b>NOTE:</b> Observe the permissible bending radii when laying conductors, since the degree of protection may be put in jeopardy if the bending forces are too high. Alleviate mechanical loads upstream of the connector, e.g. by using cable ties. |
| General | Unused slots are to be sealed off prior to commissioning. Suitable sealing elements are to be found under "Accessories".   |

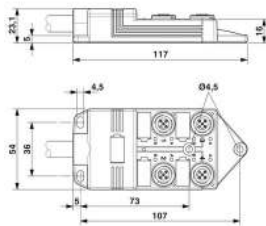
### Product properties

|                     |  |
|---------------------|--|
| Product type        | Distributor boxes with M8 to M12 slots |
| Number of positions | 5                                      |
| Application         | Standard                               |
| Number of slots     | 4                                      |
| Coding              | A                                      |
| LED                 | yes                                    |

### Material specifications

|  |             |
|--|-------------|
| Material                               | PBT         |
|  | PBT         |
|  | PUR         |
| Flammability rating according to UL 94 | V0          |
| Seal material O-ring                   | NBR         |
| Contact material                       | Cu alloy    |
| Contact surface material               | gold-plated |
| Contact carrier material               | PA          |

### Dimensions

|                     |  |
|---------------------|--|
| Dimensional drawing |  |
| Width               | 54 mm  |
| Height              | 23 mm  |
| Length              | 117 mm   |

### Connection data

|                      |                  |
|----------------------|------------------|
| Conductor connection |                  |
| Connection method    | Fixed connection |

# SACB-4/ 8-L- 1,5PUR SCO P - Sensor/actuator box



1097569

<https://www.phoenixcontact.com/us/products/1097569>

|  |        |
|--|--------|
| Tightening torque slot sensor/actuator cable               | 0.4 Nm |
| Tightening torque of mounting screw for fixing the housing | 0.5 Nm |

## Pin assignment

|  |                       |
|--|-----------------------|
| Slot/position = Wire color or connection | 1 / 4 (A) = WH        |
|  | 1 / 2 (B) = GYPK      |
|  | 2 / 4 (A) = GN        |
|  | 2 / 2 (B) = RDBU      |
|  | 3 / 4 (A) = YE        |
|  | 3 / 2 (B) = WHGN      |
|  | 4 / 4 (A) = GY        |
|  | 4 / 2 (B) = BNGN      |
|  | 1-4 / 1 (+ 24 V) = BN |
|  | 1-4 / 3 (0 V) = BU    |
| 1-4 / 5 (PE) = GNYE                      |                       |

## Signaling

|                        |     |
|------------------------|-----|
| Status display present | Yes |
|------------------------|-----|


## Electrical properties

|   |                               |
|---|-------------------------------|
| Max. operating voltage $U_{max}$        | 30 V DC                       |
| Local diagnostics                       | Supply voltage Green LED      |
|   | Status display I/O Yellow LED |
| Nominal voltage $U_N$                   | 24 V DC                       |
| Rated current, total                    | 12 A                          |
| Max. current carrying capacity per path | 2 A                           |
| Current carrying capacity per slot      | 4 A                           |

## Cable/line

|              |       |
|--------------|-------|
| Cable length | 1.5 m |
|--------------|-------|

## PUR/PVC black [PUR]

|                     |  |
|---------------------|--|
| Dimensional drawing |  |
| Cable weight        | 122 kg/km  |
| UL AWM Style        | 20549  |
| Number of positions | 11   |
| Shielded            | no   |
| Cable type          | PUR/PVC black [PUR]  |

# SACB-4/ 8-L- 1,5PUR SCO P - Sensor/actuator box



1097569

<https://www.phoenixcontact.com/us/products/1097569>

|   |   |
|---|---|
| Conductor structure signal line               | 28x 0.15 mm   |
| AWG signal line                               | 20  |
| Conductor cross section                       | 8x 0.5 mm <sup>2</sup> (Signal line)<br>3x 1 mm <sup>2</sup> (power line)   |
| Wire diameter incl. insulation                | 1.5 mm ±0.1 mm (Signal line)<br>2.1 mm ±0.1 mm (power line)   |
| External cable diameter                       | 8.7 mm ±0.2 mm  |
| Outer sheath, material                        | PUR   |
| External sheath, color                        | black RAL 9005  |
| Conductor material                            | Bare Cu litz wires  |
| Material wire insulation                      | PVC   |
| Single wire, color                            | brown, blue, green/yellow, white, green, yellow, gray, gray/pink, red/blue, white/green, brown/green                      |
| Inner sheath thickness                        | ≥ 0.15 mm   |
| Thickness, outer sheath                       | ≥ 0.38 mm   |
| Overall twist                                 | Wires twisted in layers   |
| Nominal voltage, cable                        | 300 V   |
| Test voltage                                  | 2000 V  |
| Minimum bending radius, fixed installation    | 7.5 x D   |
| Minimum bending radius, flexible installation | 10 x D  |
| Max. bending cycles                           | 1500000   |
| Flame resistance                              | DIN EN 50265  |
| Resistance to oil                             | according to VDE 0472 Part 803  |
| Other resistance                              | Highly resistant to acids, alkaline solutions and solvents  |
| Special properties                            | Silicone-free   |
| Ambient temperature (operation)               | -40 °C ... 90 °C (cable, fixed installation)<br>-5 °C ... 80 °C (Cable, flexible installation)<br>80 °C (in acc. with UL) |

## Standards and regulations

|                          |                 |
|--------------------------|-----------------|
| Standard designation     | M12 connector   |
| Standards/specifications | IEC 61076-2-101 |

## Environmental and real-life conditions

### Ambient conditions

|                                 |                  |
|---------------------------------|------------------|
| Degree of protection            | IP65<br>IP67     |
| Ambient temperature (operation) | -25 °C ... 80 °C |

# SACB-4/ 8-L- 1,5PUR SCO P - Sensor/actuator box

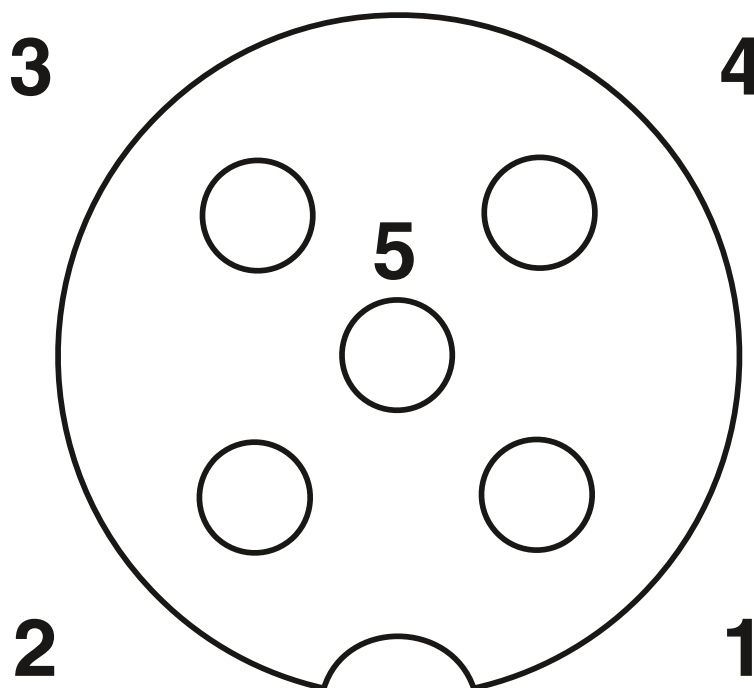


1097569

<https://www.phoenixcontact.com/us/products/1097569>

## Drawings

Schematic diagram



M12 slot, socket, 5-pos.

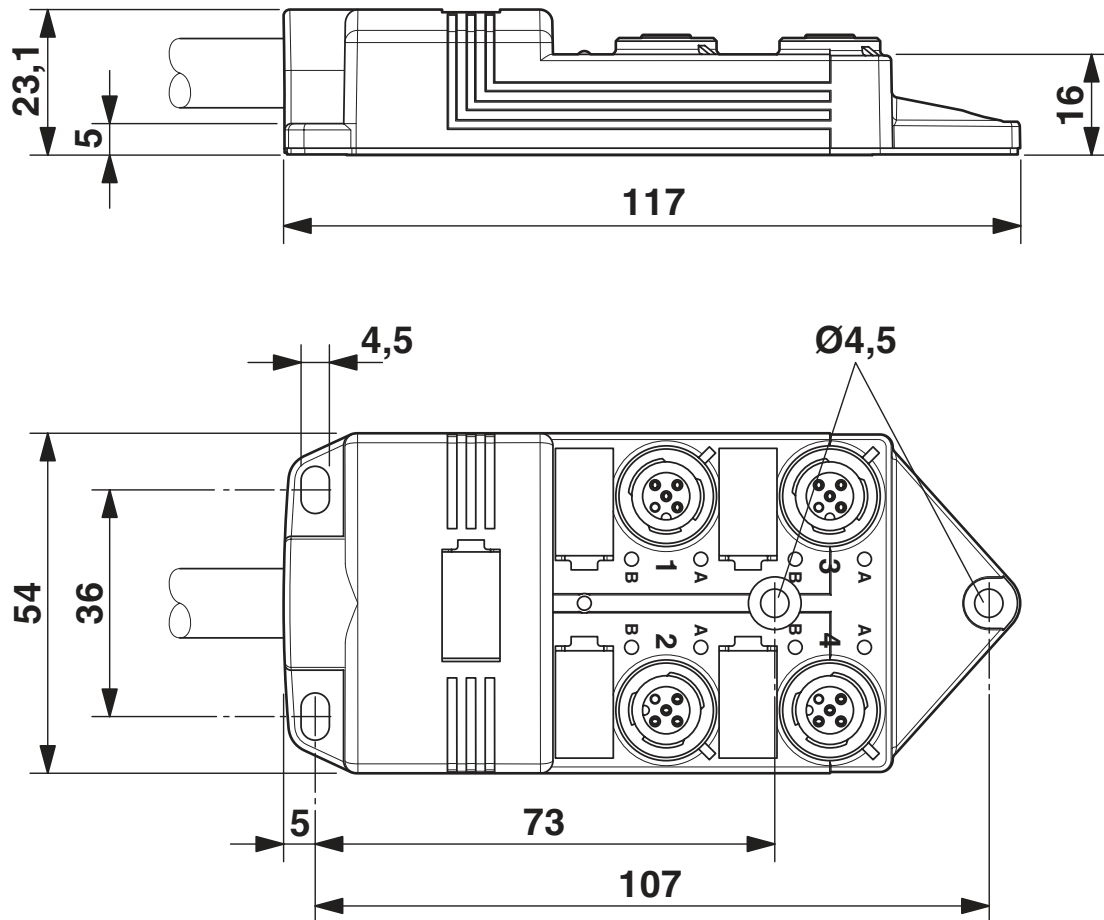
# SACB-4/ 8-L- 1,5PUR SCO P - Sensor/actuator box



1097569

<https://www.phoenixcontact.com/us/products/1097569>

Dimensional drawing



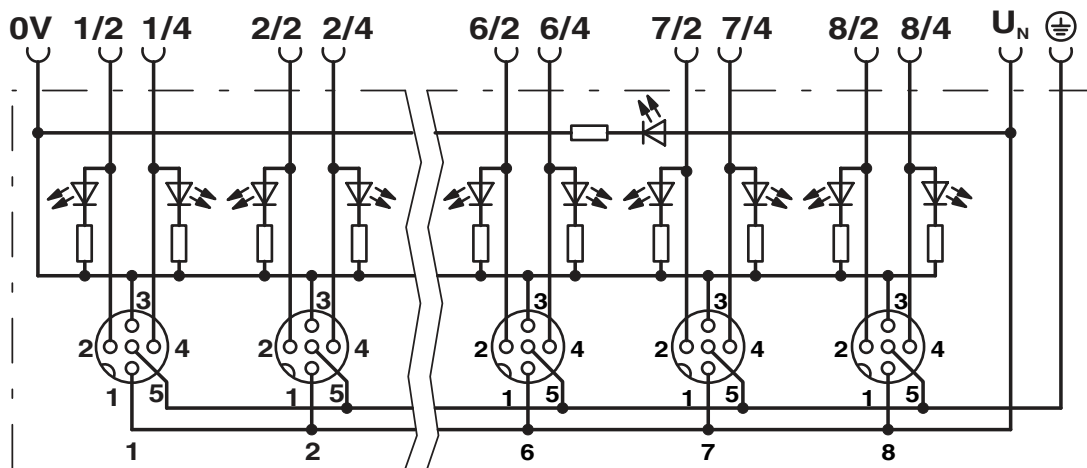
# SACB-4/ 8-L- 1,5PUR SCO P - Sensor/actuator box



1097569

<https://www.phoenixcontact.com/us/products/1097569>

Circuit diagram



# SACB-4/ 8-L- 1,5PUR SCO P - Sensor/actuator box



1097569

<https://www.phoenixcontact.com/us/products/1097569>

## Classifications

### ECLASS

|             |          |
|-------------|----------|
| ECLASS-11.0 | 27440108 |
| ECLASS-12.0 | 27440108 |
| ECLASS-13.0 | 27440108 |

### ETIM

|          |          |
|----------|----------|
| ETIM 8.0 | EC002585 |
|----------|----------|

### UNSPSC

|             |          |
|-------------|----------|
| UNSPSC 21.0 | 31251500 |
|-------------|----------|



# SACB-4/ 8-L- 1,5PUR SCO P - Sensor/actuator box



1097569

<https://www.phoenixcontact.com/us/products/1097569>

## Environmental product compliance

|            |   |
|------------|---|
| China RoHS | Environmentally friendly use period: unlimited = EFUP-e |
|            | No hazardous substances above threshold values          |

# SACB-4/ 8-L- 1,5PUR SCO P - Sensor/actuator box



1097569

<https://www.phoenixcontact.com/us/products/1097569>

## Accessories

### PROT-MS SCO - Screw plug

1553129

<https://www.phoenixcontact.com/us/products/1553129>



M12 screw plug with fast-locking system for unoccupied M12 female connectors of sensor/actuator cables, boxes, and flush-type connectors

---

### TSD 04 SAC - Torque screwdriver

1208429

<https://www.phoenixcontact.com/us/products/1208429>



Torque screwdriver, with preset torque of 0.4 Nm and 4 mm hexagonal drive for M12 connectors

# SACB-4/ 8-L- 1,5PUR SCO P - Sensor/actuator box



1097569

<https://www.phoenixcontact.com/us/products/1097569>

## TSD-M 1,2NM - Torque screwdriver

1212224

<https://www.phoenixcontact.com/us/products/1212224>



Torque screw driver, accuracy as per EN ISO 6789 standard, adjustable from 0.3 - 1.2 Nm

---

## TSD-M SAC-BIT ADAPTER - Adapter insert

1212600

<https://www.phoenixcontact.com/us/products/1212600>



Adapter bit for TSD-M...torque tools, E6.3-1/4" drive with 4 mm hexagon to accommodate SAC bits

# SACB-4/ 8-L- 1,5PUR SCO P - Sensor/actuator box



1097569

<https://www.phoenixcontact.com/us/products/1097569>

## SAC BIT M12-D15 - Tool

1208432

<https://www.phoenixcontact.com/us/products/1208432>



Nut for assembling sensor/actuator cables with M12 connector and M12 connectors for assembly, with a knurl diameter of 15 mm, for 4 mm hexagonal drive

---

## SACC BIT M12-D20 - Tool

1208445

<https://www.phoenixcontact.com/us/products/1208445>



Nut for assembling M12 connectors for assembly with a knurl diameter of 20 mm, for 4 mm hexagonal drive

# SACB-4/ 8-L- 1,5PUR SCO P - Sensor/actuator box



1097569

<https://www.phoenixcontact.com/us/products/1097569>

## UC-EM (17,5X9) - Snap-in markers

0827490

<https://www.phoenixcontact.com/us/products/0827490>



Snap-in markers, Sheet, white, unlabeled, can be labeled with: BLUEMARK ID, BLUEMARK ID COLOR, BLUEMARK CLED, BLUEMARK LED, CMS-P1-PLOTTER, PLOTMARK, mounting type: snapped, lettering field size: 17.5 x 9 mm, Number of individual labels: 20

---

## UC-EM (17,5X9) CUS - Snap-in markers

0828238

<https://www.phoenixcontact.com/us/products/0828238>



Snap-in markers, can be ordered: by sheet, white, labeled according to customer specifications, mounting type: snapped into marker carrier, lettering field size: 17.5 x 9 mm, Number of individual labels: 20

# SACB-4/ 8-L- 1,5PUR SCO P - Sensor/actuator box



1097569

<https://www.phoenixcontact.com/us/products/1097569>

## UCT-EM (17,5X9) - Snap-in markers

0801491

<https://www.phoenixcontact.com/us/products/0801491>



Snap-in markers, Sheet, white, unlabeled, can be labeled with: TOPMARK NEO, TOPMARK LASER, BLUEMARK ID COLOR, BLUEMARK ID, BLUEMARK CLED, THERMOMARK PRIME, THERMOMARK CARD 2.0, THERMOMARK CARD, mounting type: snapped, lettering field size: 17.5 x 9 mm, Number of individual labels: 24

---

## UCT-EM (17,5X9) CUS - Snap-in markers

0801575

<https://www.phoenixcontact.com/us/products/0801575>



UniCard sheet, for labeling devices from other manufacturers, for overview table see download area, labeled according to customer specifications

# SACB-4/ 8-L- 1,5PUR SCO P - Sensor/actuator box



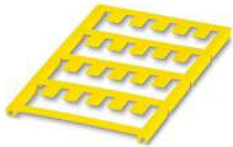
1097569

<https://www.phoenixcontact.com/us/products/1097569>

## UC-EM (17,5X9) YE - Snap-in markers

0827494

<https://www.phoenixcontact.com/us/products/0827494>



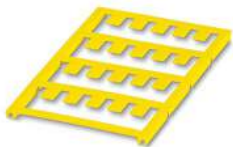
Snap-in markers, Sheet, yellow, unlabeled, can be labeled with: BLUEMARK ID COLOR, BLUEMARK ID, BLUEMARK CLED, PLOTMARK, CMS-P1-PLOTTER, mounting type: snapped, lettering field size: 17.5 x 9 mm, Number of individual labels: 20

---

## UC-EM (17,5X9) YE CUS - Snap-in markers

0828239

<https://www.phoenixcontact.com/us/products/0828239>



Snap-in markers, can be ordered: by sheet, yellow, labeled according to customer specifications, mounting type: snapped into marker carrier, lettering field size: 17.5 x 9 mm, Number of individual labels: 20

# SACB-4/ 8-L- 1,5PUR SCO P - Sensor/actuator box



1097569

<https://www.phoenixcontact.com/us/products/1097569>

## UCT-EM (17,5X9) YE - Snap-in markers

0801492

<https://www.phoenixcontact.com/us/products/0801492>



Snap-in markers, Sheet, yellow, unlabeled, can be labeled with: TOPMARK NEO, TOPMARK LASER, BLUEMARK ID COLOR, BLUEMARK ID, BLUEMARK CLED, THERMOMARK PRIME, THERMOMARK CARD 2.0, THERMOMARK CARD, mounting type: snapped, lettering field size: 17.5 x 9 mm, Number of individual labels: 24

---

## UCT-EM (17,5X9) YE CUS - Snap-in markers

0801576

<https://www.phoenixcontact.com/us/products/0801576>



UniCard sheet, for labeling devices from other manufacturers, for overview table see download area, labeled according to customer specifications

---

Phoenix Contact 2023 © - all rights reserved  
<https://www.phoenixcontact.com>

Phoenix Contact USA  
586 Fulling Mill Road  
Middletown, PA 17057, United States  
(+717) 944-1300  
[info@phoenixcon.com](mailto:info@phoenixcon.com)