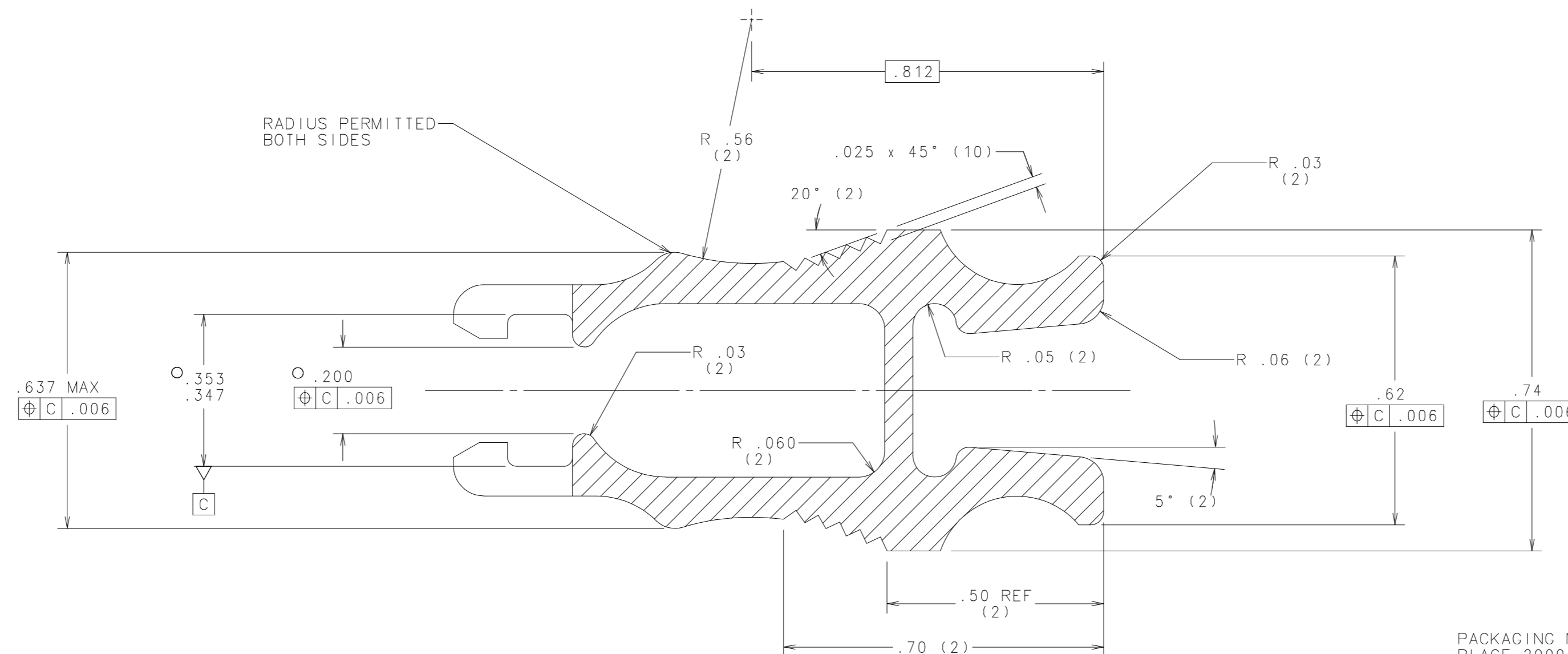
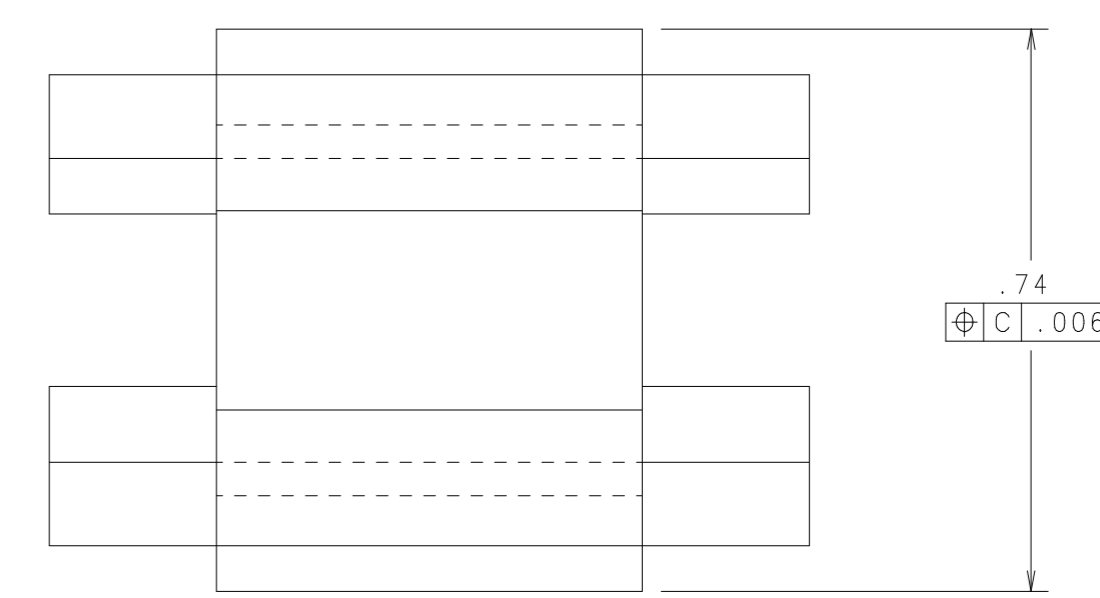
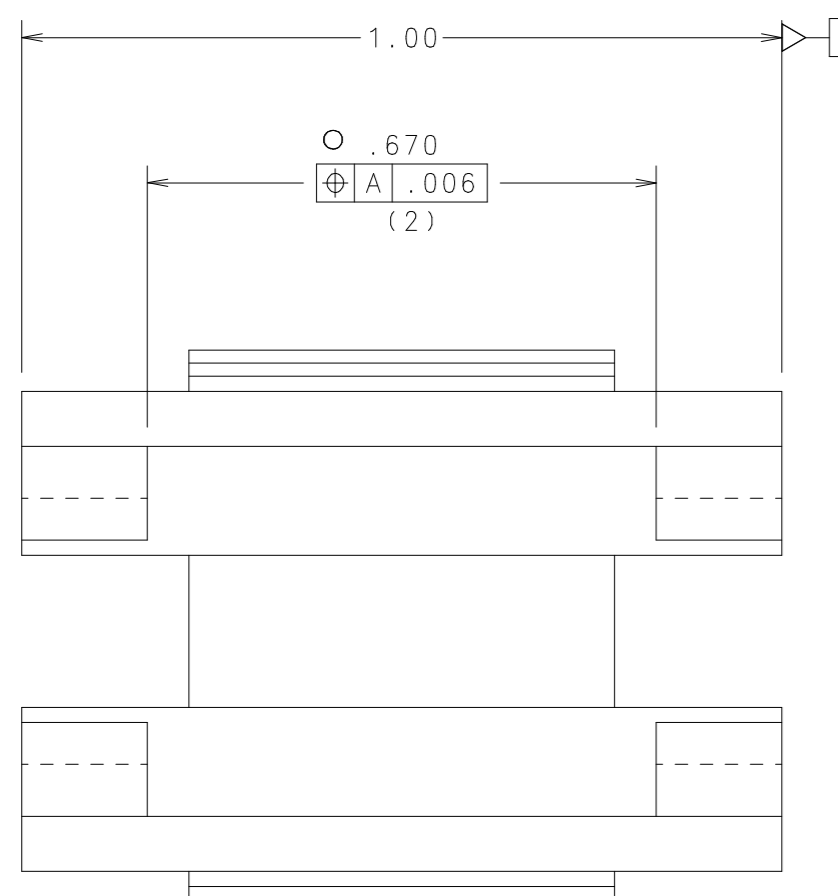
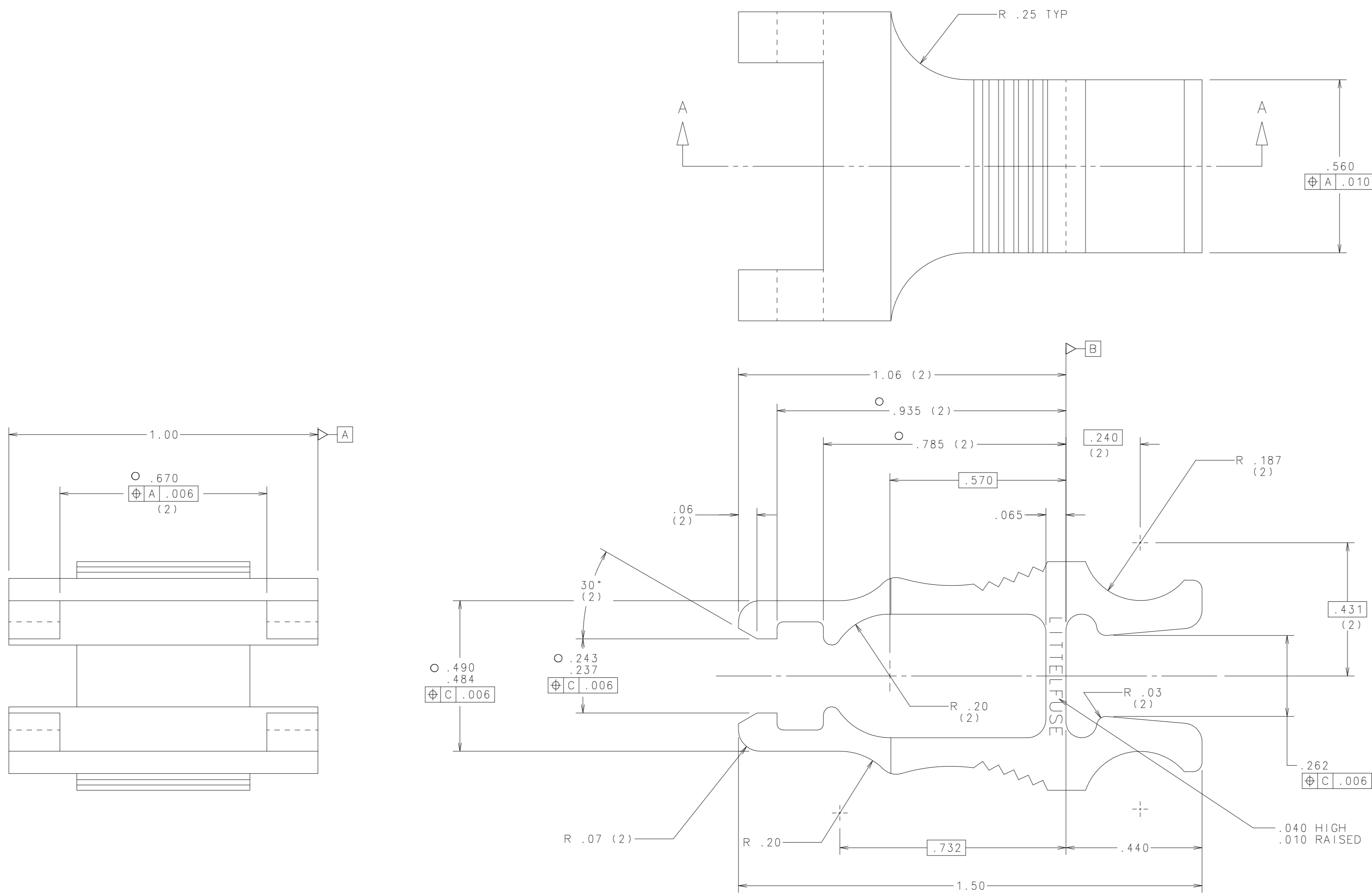


LTR	DATE	REVISION	CHK	APD
B	6/19/00	80687C - REVISE & REDRAWN ON NEW FORMAT	JMB	
C	2/06/08	000342EC-ADD 057883 COLOR CONCENTRATE TO BOM, CHG. NYLON 6/6 FROM 057333 TO 057348		



SECT. A-A

- NOTES:
1. THIS FUSE PULLER IS TO MATE WITH MAXIFUSE ONLY (L/F 0299000 SERIES)
 2. UNLESS OTHERWISE SPECIFIED: ALL RADII TO BE 0.20 MAX.
 3. 50% MAXIMUM ALLOWABLE REGRIND.

PACKAGING NOTES:
 PLACE 2000 PIECES IN BAG 890-750. CLOSE WITH WIRE TIE 890-471 AND PLACE IN BOX 580143. CLOSE BOX AND SEAL WITH TAPE 088120. LABEL WITH 914-796 PRINTED TO GENERAL LABEL SPEC. LS-000003.

NO	COMPONENT NO	DESCRIPTION	QTY/M	U/M
5	914-796	LABEL	.500	EAD
4	890-750	PLASTIC BAG	.500	EAD
3	580143	CARTON	.500	EAD
2	057348	NYLON 6/6	8.536	LB
1	057883	GREEN CONCENTRATE	.264	LB

BILL OF MATERIAL			
UNLESS OTHERWISE SPECIFIED, DIMENSIONS DO NOT INCLUDE PLATING.			
O	DENOTES OPTICAL CHARACTERISTICS		
CPK	DENOTES CPK DIMENSIONS - MINIMUM CPK VALUE		
SE	DENOTES A CHARACTERISTIC THAT PROVIDES AN INDICATION OF PROCESS PERFORMANCE AND REQUIRE FOR MEASUREMENT AND TRACKING TO BE DEFINED IN THE LITTLEFUSE INSPECTION INSTRUCTIONS.		
CE	DENOTES CP DIMENSIONS - MINIMUM CP VALUE MUST BE WITHIN THE DIMENSIONAL LIMITATIONS SHOWN ON DRAWING AND INITIALLY LOCATED TO ALLOW FOR MAXIMUM TOOL LIFE.		
COPIES TO:			
1	9	8	FINISH
2	10	9	SCALE
3	10	20	DATE
4	13	2	DRW
5	14	23	DATE
6	15	33	CHK
7	16	43	APPD
8	17	53	DATE
TOLERANCE UNLESS OTHERWISE SPECIFIED			
TWO PLACE DEC 1.010 FRACTION ±			
THREE PLACE DEC ±.005 ANGULAR ±1°			
TITLE MAXIFUSE PULLER			
REVISION C		DRWG. NO. FINAL 00970026N	