

4

3

2

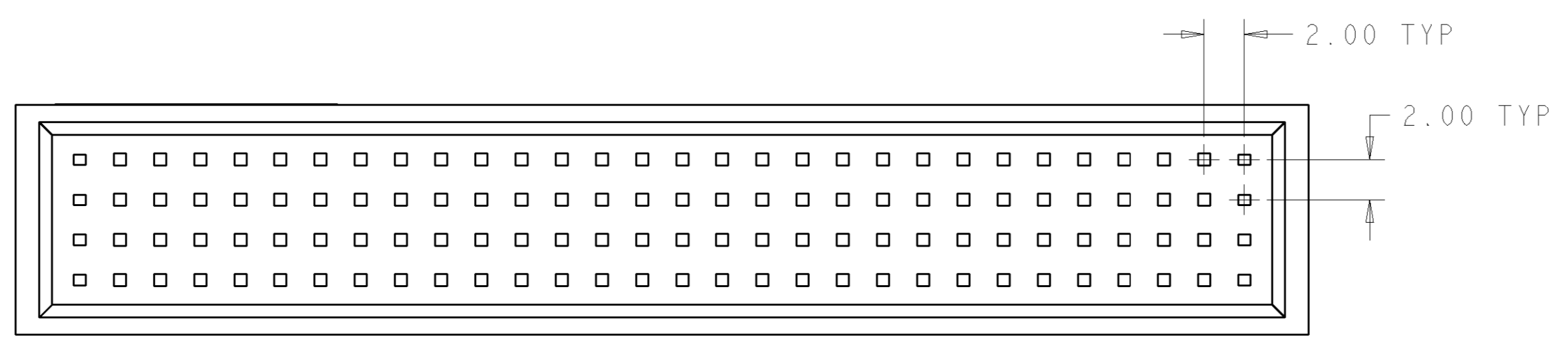
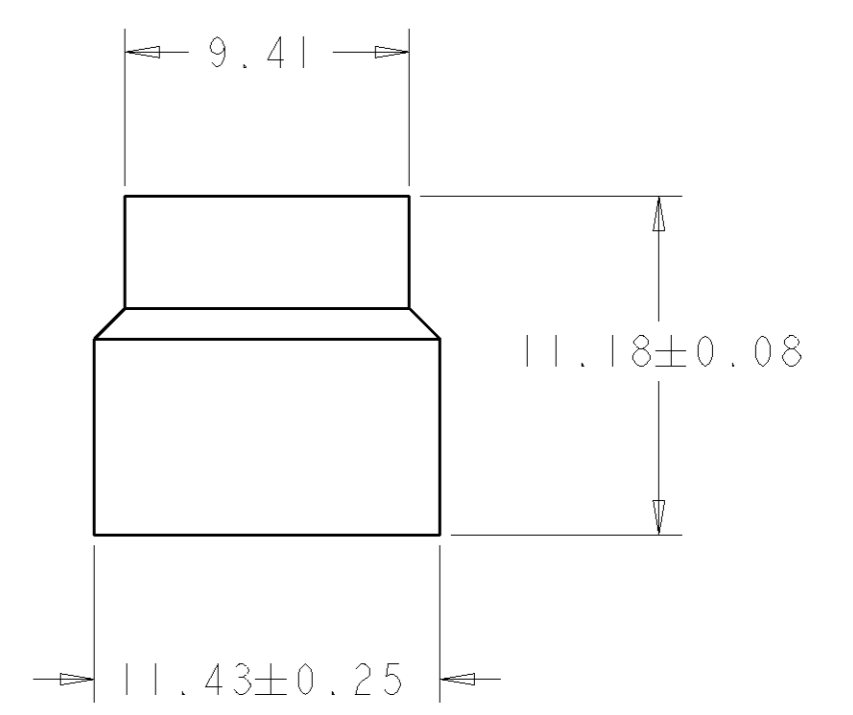
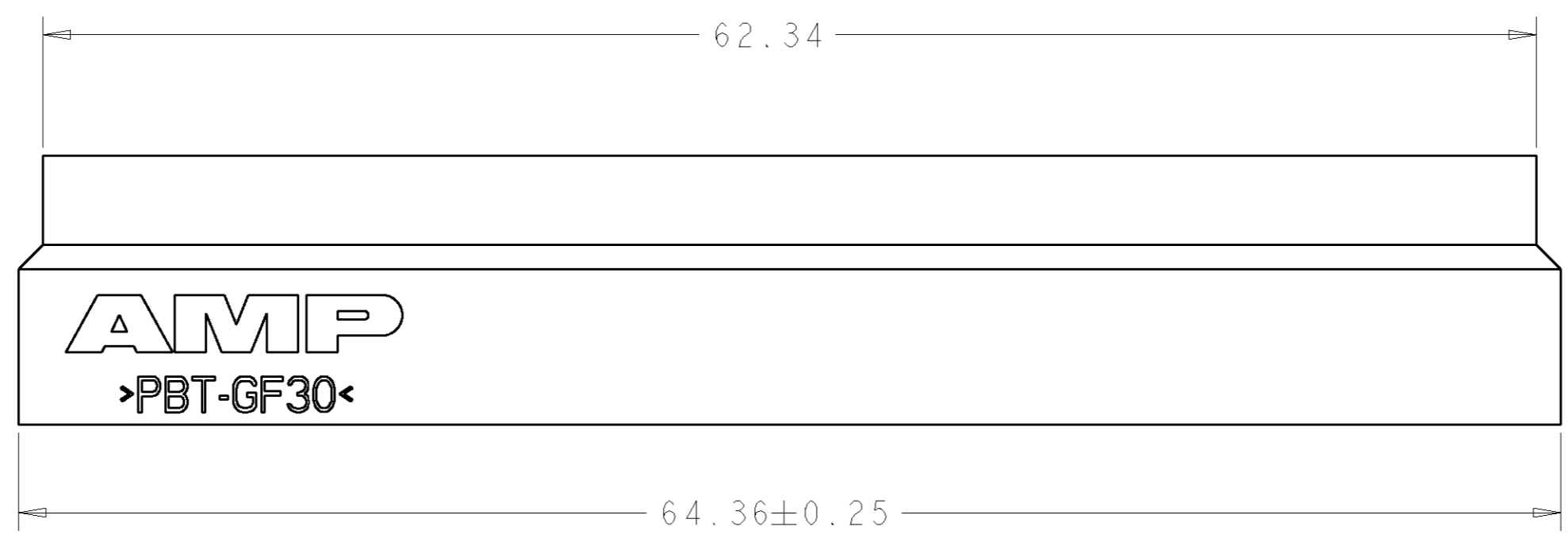
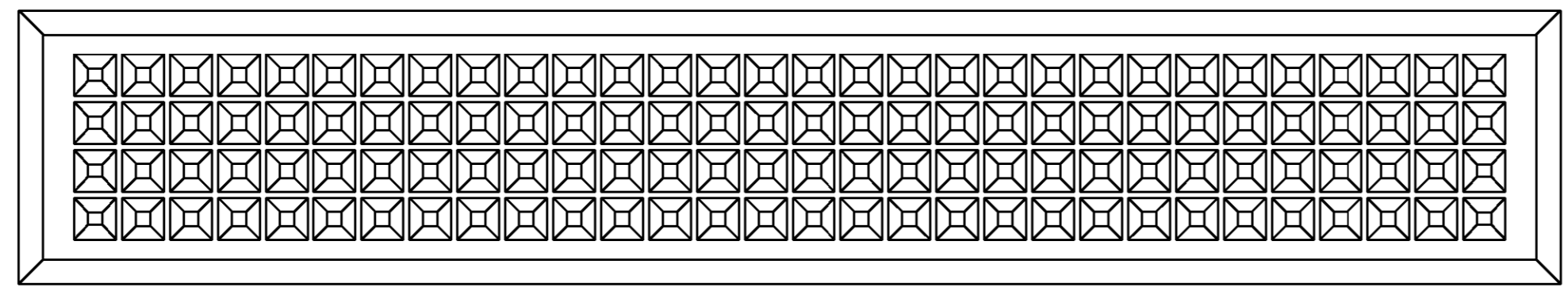
1

THIS DRAWING IS UNPUBLISHED.      RELEASED FOR PUBLICATION      20

© COPYRIGHT      BY      ALL RIGHTS RESERVED.

LOC	DIST	REVISIONS			
P	LTR	DESCRIPTION	DATE	DWN	APVD
AD	00				
P		REVISED PER ECO-11-005294	30APR11	RK	HMR

⚠ MATERIAL: PBT POLYESTER, UL94V0, COLOR, BLACK.



1375801-1  
PART NO

DIMENSIONS: mm 		TOLERANCES UNLESS OTHERWISE SPECIFIED: 0 PLC ± 1 PLC ± 2 PLC ±0.13 3 PLC ± 4 PLC ± ANGLES ± FINISH -		DWN W.G. LENKER 27SEP2000 CHK J. OLSON 13JUN2001 APVD J. OLSON 13JUN2001	<b>STE</b> TE Connectivity NAME - SHROUD, 120 POSITION, PCI04 PLUS	
MATERIAL	⚠	PRODUCT SPEC	-	SIZE	A2	RESTRICTED TO
CUSTOMER DRAWING		APPLICATION SPEC	-	CAGE CODE	00779	
		WEIGHT	-	DRAWING NO	C=1375801	
		SCALE	4:1	SHEET	OF	REV P