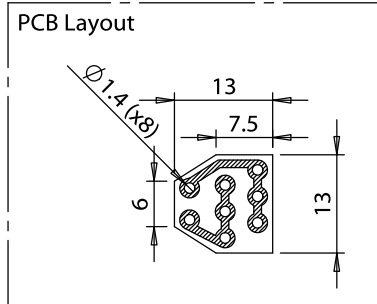
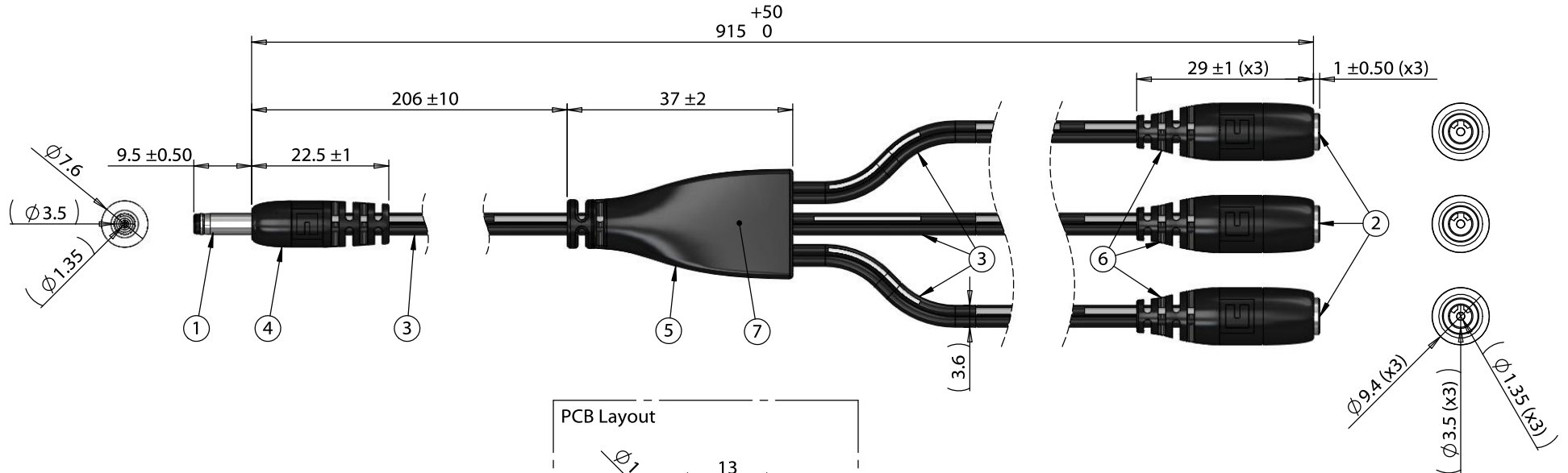


| ITEM NO. | PART NUMBER | DESCRIPTION | QTY. | COMPONENT NOTES |
|----------|-------------|--|------|-----------------|
| 1 | 50-00056 | Connector, dc plug, 3.5x1.35xL20mm, molding style, spring contacts | 1 | |
| 2 | 50-00057 | Connector, dc jack, 3.5x1.35xL16.5 mm, molding style | 3 | |
| 3 | 30-00003 | Wire, 2C BC, 24 AWG, UL2468, 300V, 80C, 3.6 mm, VW-1, PVC, 76A | 4 | |
| 4 | 24-00002 | Overmold, PVC | 1 | black |
| 5 | 24-00186 | Overmold, splitter, Ø 8.0 mm by 10.0x18.0 mm | 1 | black |
| 6 | 24-00005 | Overmold, PVC | 3 | black |
| 7 | PCB | Splitter PCB, FR4, two-layer, tin, 13.0x13.0x1.6 mm | 1 | |



| Wiring Diagram | | |
|----------------|-------------------|----------|
| 50-00056 | wire color | 50-00057 |
| center | black with stripe | center |
| sleeve | black | sleeve |

Notes:
Functionally equivalent components may be substituted

| | | | | | |
|-----------|-----------|-----------------|--|--|--|
| Revision: | Date: | Description: | Prepared: | Notes: | <h1>TENSILITY</h1> <p>tel 1.541.323.3228 800 877.670.7118 fax 1.541.323.4202 web tensility.com</p> |
| A | 4/13/2018 | Initial release | JP <small>Digitally signed by JP Date: 2018.04.13 16:17:19 +07'00'</small> | RoHS compliant | |
| | | | Verified: AW <small>Digitally signed by AW Date: 2018.04.16 15:55:14 -07'00'</small> | Function test: no open, no short circuit, no intermittent | |
| | | | Dimensions are in millimeters. Tolerances: X: ± 0.5 mm X.X: ± 0.3 mm X.XX: ± 0.05 mm | Description: Cable, 915 mm, 3.5x1.35x9.5 mm 50-00056 dc plug to y-split to 3x 3.5x1.35mm 50-00057 dc jack, 24 AWG | |
| | | | | Size: A Part number: 10-02789 | |
| | | | | Scale: 1:1 | Sheet 1 of 1 |

5

4

3

2

1