

4

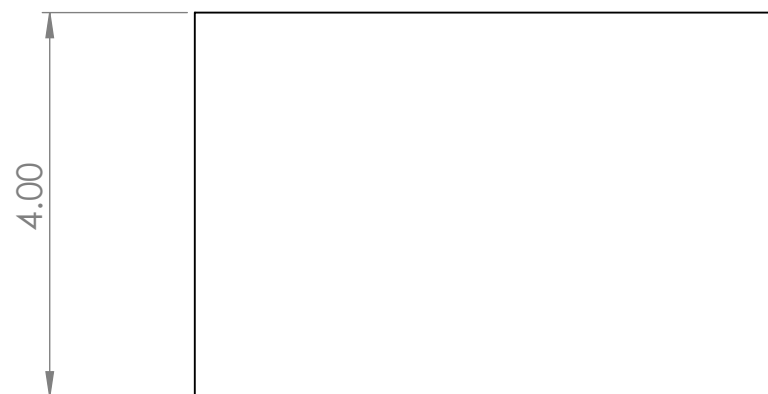
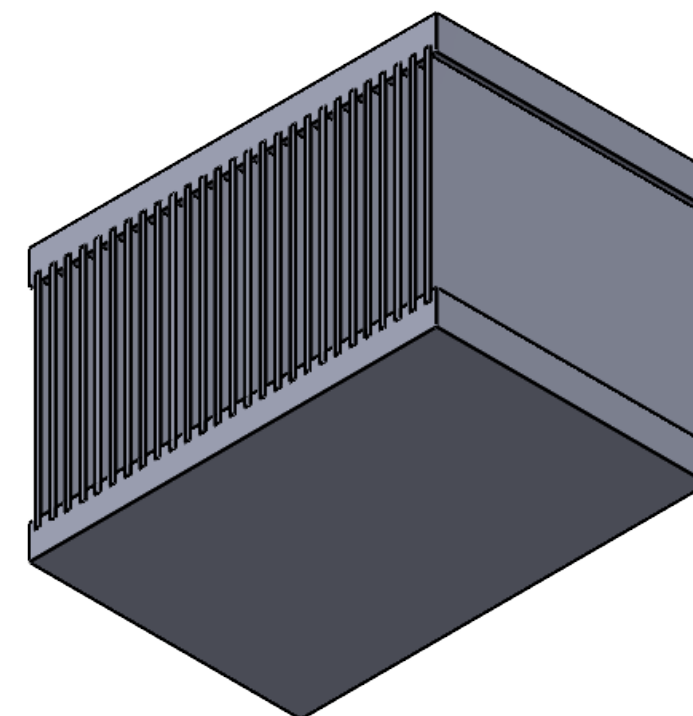
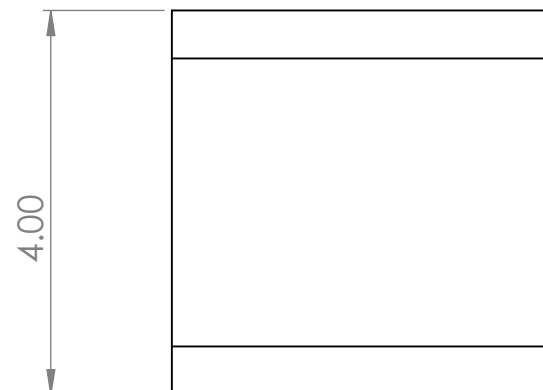
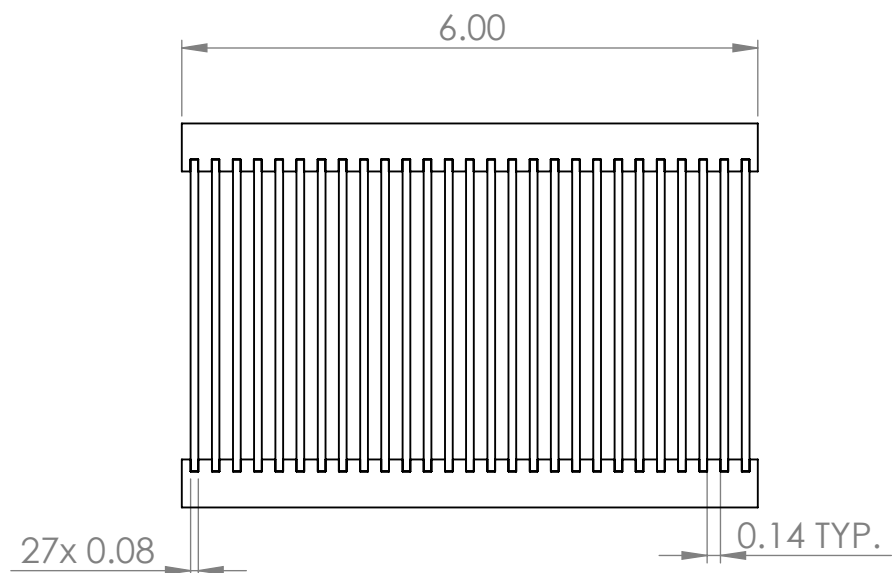
3


2

1

NOTE: UNLESS OTHERWISE SPECIFIED

1. MATERIAL: 6061-T6 Aluminum



UNLESS OTHERWISE SPECIFIED: DIMENSIONS ARE IN MILLIMETERS TOLERANCES: ANGULAR: $\pm 1^\circ$ BEND \pm .X \pm .5 .XX \pm .05 .XXX \pm .005 .XXXX \pm .0005 INTERPRET GEOMETRIC TOLERANCING PER ASME Y14.5- 2009 DO NOT SCALE DRAWING	DRAWN	NAME	DATE	 <p>Cooling Source LIVERMORE CALIFORNIA Quality Thermal Design Solutions</p>
	CHECKED			
	ENG APPR.			
	<p>PROPRIETARY AND CONFIDENTIAL</p> <p>THE INFORMATION CONTAINED IN THIS DRAWING IS THE SOLE PROPERTY OF COOLING SOURCE. ANY REPRODUCTION IN PART OR AS A WHOLE WITHOUT THE WRITTEN PERMISSION OF COOLING SOURCE IS PROHIBITED.</p>			<p>4" x 4" x 6" Dual Plate Heatsink</p>
	SIZE	REV		
	B	A	CS605-003-F-0A	
	SCALE: 1:2			SHEET 1 OF 1

4

3

2

1

B

B

A

A