

HANDLE SHANKS

Glass reinforced polyamide based (PA) technopolymer, semi-matte finish, black colour.

Pass-through holes for black zinc-plated cylindrical-head with hexagon socket, zinc-plated nuts and washers, included in the supply.

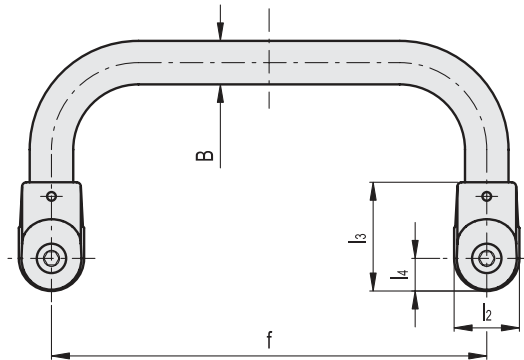
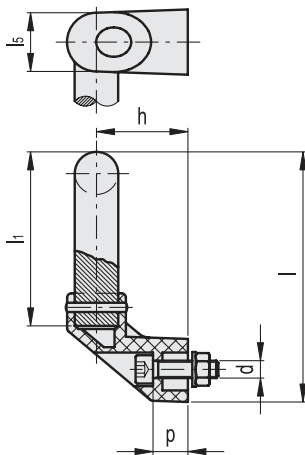
STANDARD EXECUTIONS

Anodised aluminium bar, satin surface, matte finish.

- RHM3-11: natural colour.
- RHM3-14: black colour.

SPECIAL EXECUTIONS ON REQUEST

- Titanium handles.
- Different lengths.



Conversion Table	
1 mm = 0.039 inch	
mm	inch
200	7.87
300	11.81
400	15.75

RHM3-11

METRIC

Code	f	d	p	B	h	l	l1	l2	l3	l4	l5	⚖
RHM3-20.A200.11	200	M8x30	16	20	42	105	70	30	50	15	27	390
RHM3-20.A300.11	300	M8x30	16	20	42	105	70	30	50	15	27	457
RHM3-20.A400.11	400	M8x30	16	20	42	105	70	30	50	15	27	544

RHM3-14

Code	f	d	p	B	h	l	l1	l2	l3	l4	l5	⚖
RHM3-20.A200.14	200	M8x30	16	20	42	105	70	30	50	15	27	390
RHM3-20.A300.14	300	M8x30	16	20	42	105	70	30	50	15	27	457
RHM3-20.A400.14	400	M8x30	16	20	42	105	70	30	50	15	27	544



Lift & Pull handles