

5

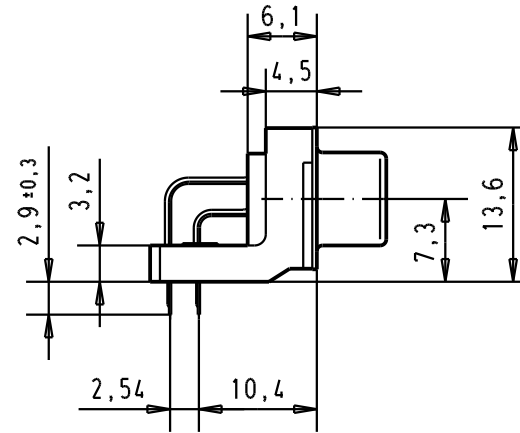
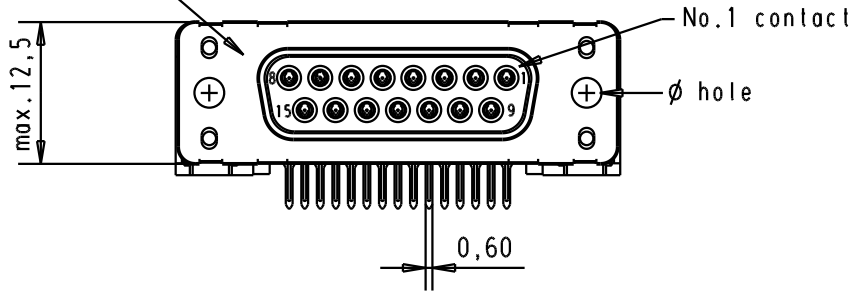
4

3

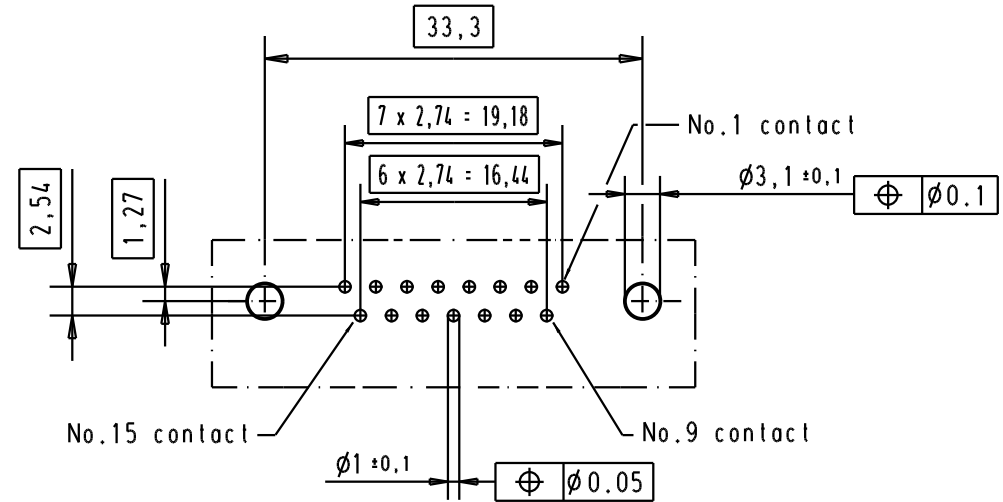
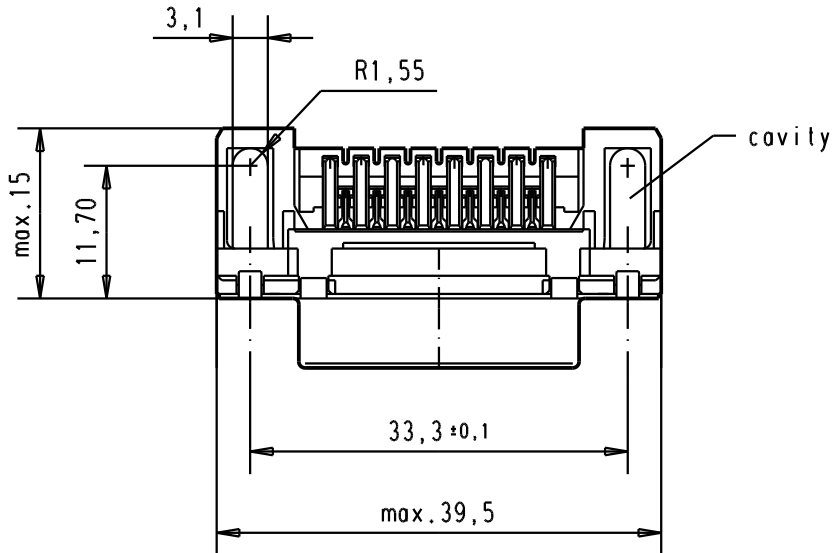
2

1



Mating face according to : MIL-C-24308 / DIN 41652 / CECC 75301-802



Printed board layout component side



A

						Dat.	Name	 All Dim. in mm Orig. Size DIN A 4	D-Sub 15 poles standard angle female, solder pin with hole Maßstab/Scale 1.5:1
						Detail.	ALSPACE		
						Insp.			
09 66 212 3600	3.1 ± 0.1	1	31892	05/05/04	JH	Stand.		TB 0966212x60x Sub.	
09 66 212 6600	3.1 ± 0.1	2	29773	18-APR-02	CV	HARTING EURL F-95972 Paris			
09 66 212 7600	3.1 ± 0.1	3	27960	27/nov/00	ALSPACE				
Part number	Ø hole	Performance level	Mod.	Dat.	Name			Blatt/ Page 1/	