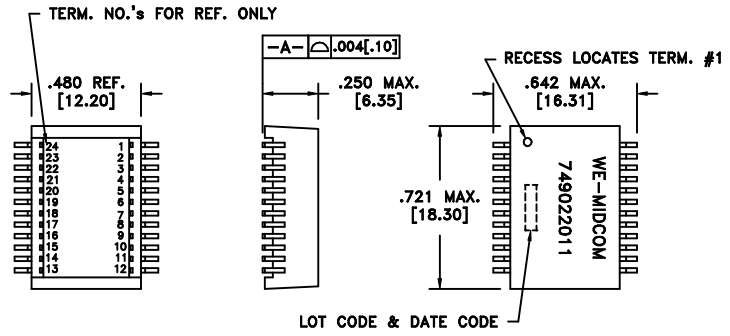


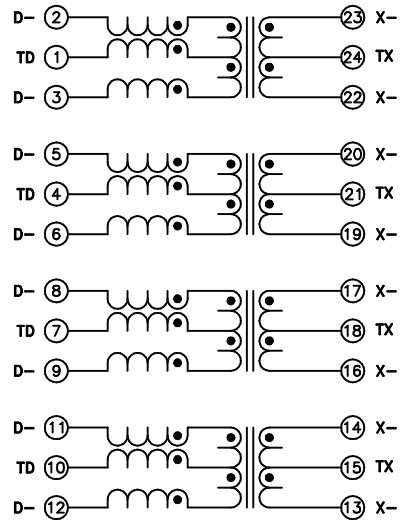
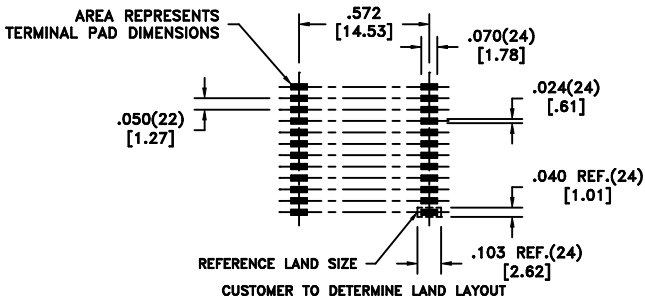
CUSTOMER TERMINAL	RoHS	LEAD(Pb)-FREE
Sn96% Ag4%	Yes	Yes



6B



LOT CODE & DATE CODE



ELECTRICAL SPECIFICATIONS @ 25°C unless otherwise noted:

PARAMETER	TEST CONDITIONS	VALUE	
D.C. RESISTANCE	1-2; 4-5; 7-8; 10-11	@25°C	1.000 ohms max.
D.C. RESISTANCE	2-3; 5-6; 8-9; 11-12	@25°C	1.30 ohms max.
D.C. RESISTANCE	13-14; 16-17; 19-20; 22-23	@25°C	0.70 ohms max.
D.C. RESISTANCE	14-15; 17-18; 20-21; 23-24	@25°C	0.50 ohms max.
INDUCTANCE	23-22	100kHz, 100mVAC, 15mADC, Lp	350uH min.
INDUCTANCE	20-19	100kHz, 100mVAC, 15mADC, Lp	350uH min.
INDUCTANCE	17-16	100kHz, 100mVAC, 15mADC, Lp	350uH min.
INDUCTANCE	14-13	100kHz, 100mVAC, 15mADC, Lp	350uH min.
DIELECTRIC	1-24	tie(1+4+7+10, 15+18+21+24) 1800Vrms, 1 second	1500Vrms, 1 minute
URNS RATIO		(2-3):(23-22)	1:1, ±2%
URNS RATIO		(5-6):(20-19)	1:1, ±2%
URNS RATIO		(8-9):(17-16)	1:1, ±2%
URNS RATIO		(11-12):(14-13)	1:1, ±2%
INSERTION LOSS		300k - 100MHz	-1.0dB max.
RETURN LOSS		500kHz - 40MHz	-18dB min.
RETURN LOSS		40M - 60MHz	-15dB min.
RETURN LOSS		60M - 80MHz	-12dB min.
RETURN LOSS		80M - 100MHz	-10dB min.
CROSSTALK		300kHz - 100MHz	-35dB min.
CMRR		300k - 32MHz	-42dB min.
CMRR		32M - 100MHz	-33dB min.

GENERAL SPECIFICATIONS:
 OPERATING TEMPERATURE RANGE: -40°C to +85°C.
 Designed to comply with POE+ requirements, and handle 500mA DC current.
 COPLANARITY: All 24 terminals must lie on a plane within .004 [.10] of Surface A after lead tinning.

REV.	DATE
PR6C	5/10
6B	2/10
6A	2/08

Packaging Specifications
 Method: Tape & Reel
 PKG-0653
 www.midcom-inc.com

Tolerances unless otherwise specified:
 Angles: ±1° Decimals: ±.005 [.13]
 Fractions: ±1/64 Footprint: ±.005 [.13]
 This drawing is dual dimensioned. Dimensions in brackets are in millimeters.

DRAWING TITLE
TRANSFORMER
 eiSos p/n: 749022011

Midcom WE
 www.midcom-inc.com

DRAWING NO.
749022011
 REVISIONS: SEE SHEET 1 SCALE --- SHEET 2 OF 7