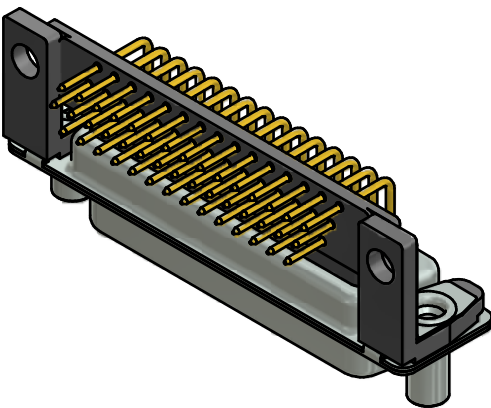
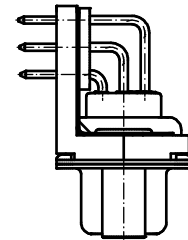
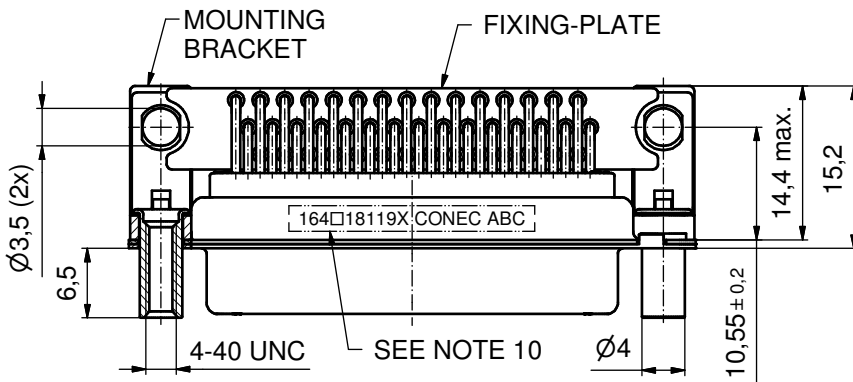
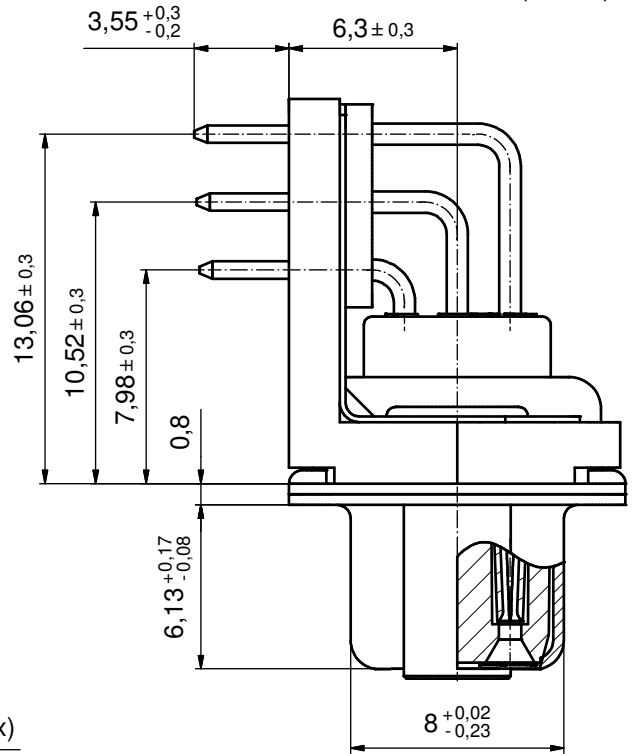
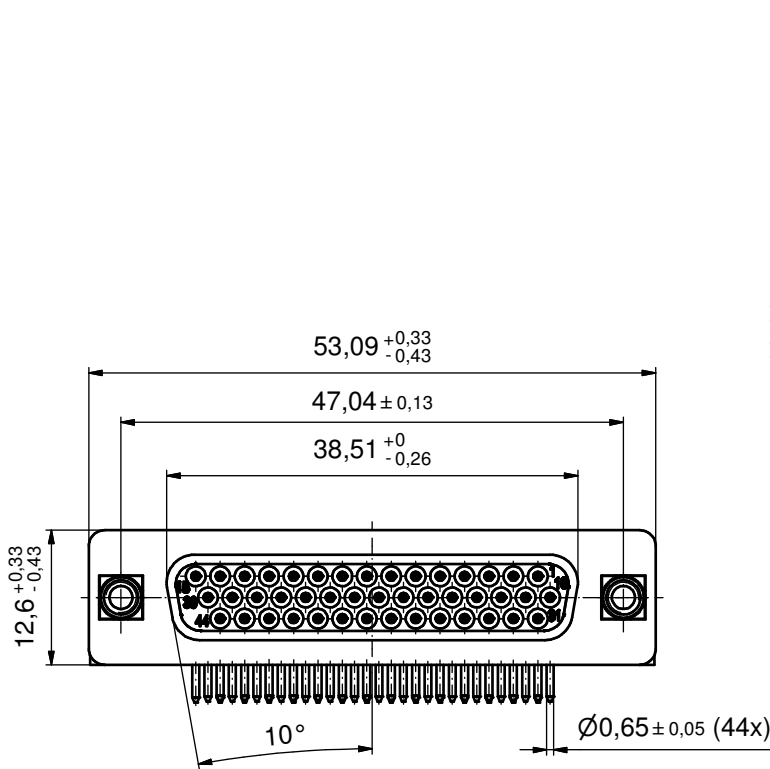


(5:1)



NOTES:

1. METALSHELLS: STEEL; min. 315µm TIN over 40-80µm NICKEL
2. INSULATORS: PBT GF UL 94 V-0, BLACK
3. CONTACTS: COPPER ALLOY; PLATING (SEE PART NO.):
 - PLEASE ADD A for GOLD FLASH over NICKEL (PREFERRED TYPE)
 - PLEASE ADD B for 20µm HARD GOLD over min. 50µm NICKEL
 - PLEASE ADD C for 30µm HARD GOLD over min. 50µm NICKEL
4. MOUNTING BRACKETS: PBT GF UL 94 V-0, BLACK
5. THREADED LOCKS: COPPER ALLOY; min. 200µm TIN over 80µm NICKEL
6. GROUNDING BRACKETS: COPPER ALLOY; min. 200µm TIN over 80µm NICKEL
7. FIXING-PLATE: PBT GF UL 94 V-0, BLACK
8. P.C.B. HOLE DRILLINGS ON SHEET 2
9. MAXIMUM TORQUE VALUE FOR THREAD: 6 in.LB
10. CONNECTOR IS PART MARKED: 164□18119X CONEC ABC (see note 3)

Directive 2002/95/EC RoHS compliant

THIS DRAWING MAY NOT BE COPIED OR REPRODUCED IN ANY WAY, AND MAY NOT BE PASSED ON TO A THIRD PARTY WITHOUT WRITTEN PERMISSION. OWNERSHIP AND COPYRIGHT OF CONEC GmbH
 DO NOT ALTER CAD DRAWING BY HAND

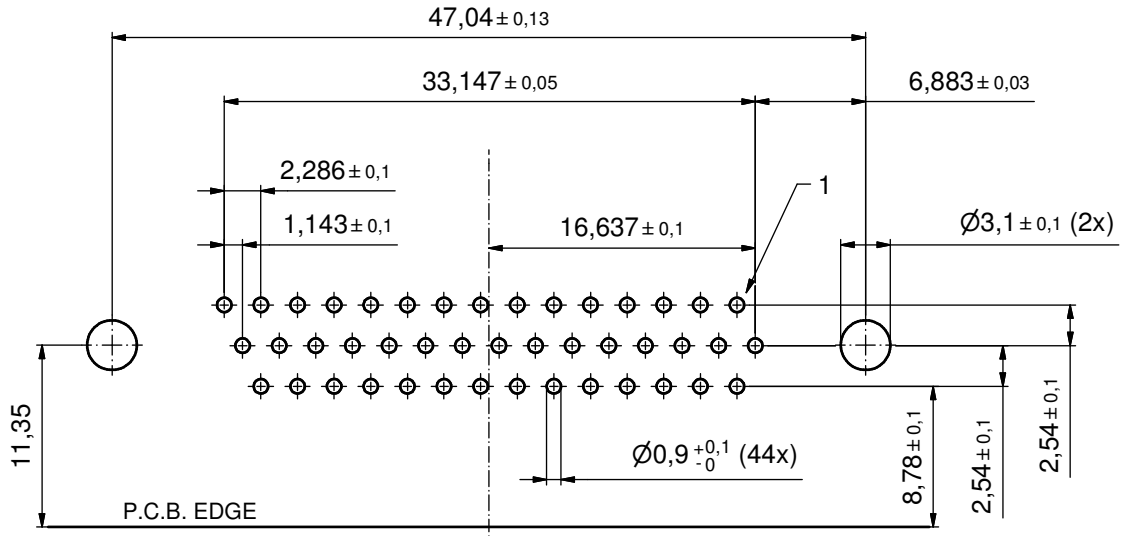
tolerance		dim. in mm	
date	name	drawn	23.10.2014 Henneboel
		appd.	23.10.2014 Lehmenkühler
		norm	
		d-old	
rev.	description	date	name
a	Original		

scale:	2:1 (5:1)
material:	SEE NOTES
title:	
D-SUB HD FEMALE 90°	
44pos. SOLDER PIN ANGLED 0.350inch	
threaded lock, mounting bracket, fixing plate, grounding bracket	
dwg no:	DIN-A3
	sh: 1/2
part no:	164□18119X (see note 3)



P.C.B. HOLE DRILLINGS

(P.C.B. TOP SIDE)



THIS DRAWING MAY NOT BE COPIED OR REPRODUCED IN ANY WAY, AND MAY NOT BE PASSED ON TO A THIRD PARTY WITHOUT WRITTEN PERMISSION. OWNERSHIP AND COPYRIGHT OF CONEC GmbH DO NOT ALTER CAD DRAWING BY HAND				tolerance		scale: 3:1
				date	name	material: SEE SHEET 1
				drawn	23.10.2014 Henneboel	title: P.C.B. HOLE DRILLINGS D-SUB HD FEMALE 90° 44pos. 0.350inch threaded lock,mounting bracket,grounding bracket,fixing plate
				appd.	23.10.2014 Lehmenkühler	
				norm		
			d-old		dwg no:	
a	Original		CONEC ®			16K1A3553
rev.	description	date				name
						DIN-A3 sh: 2/2