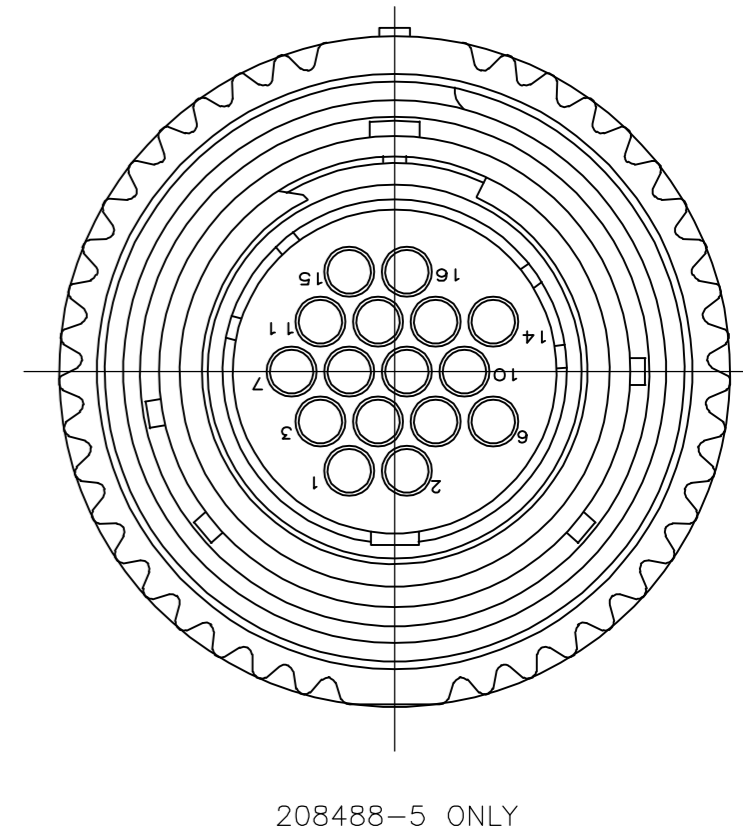
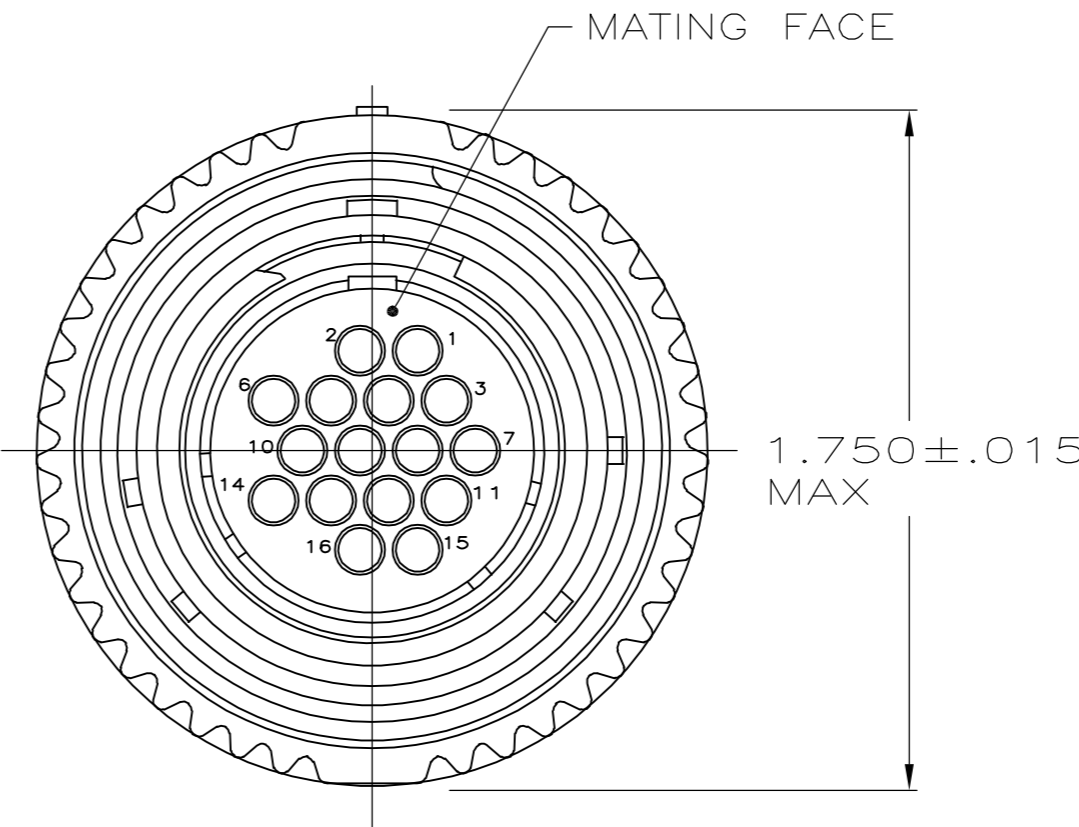
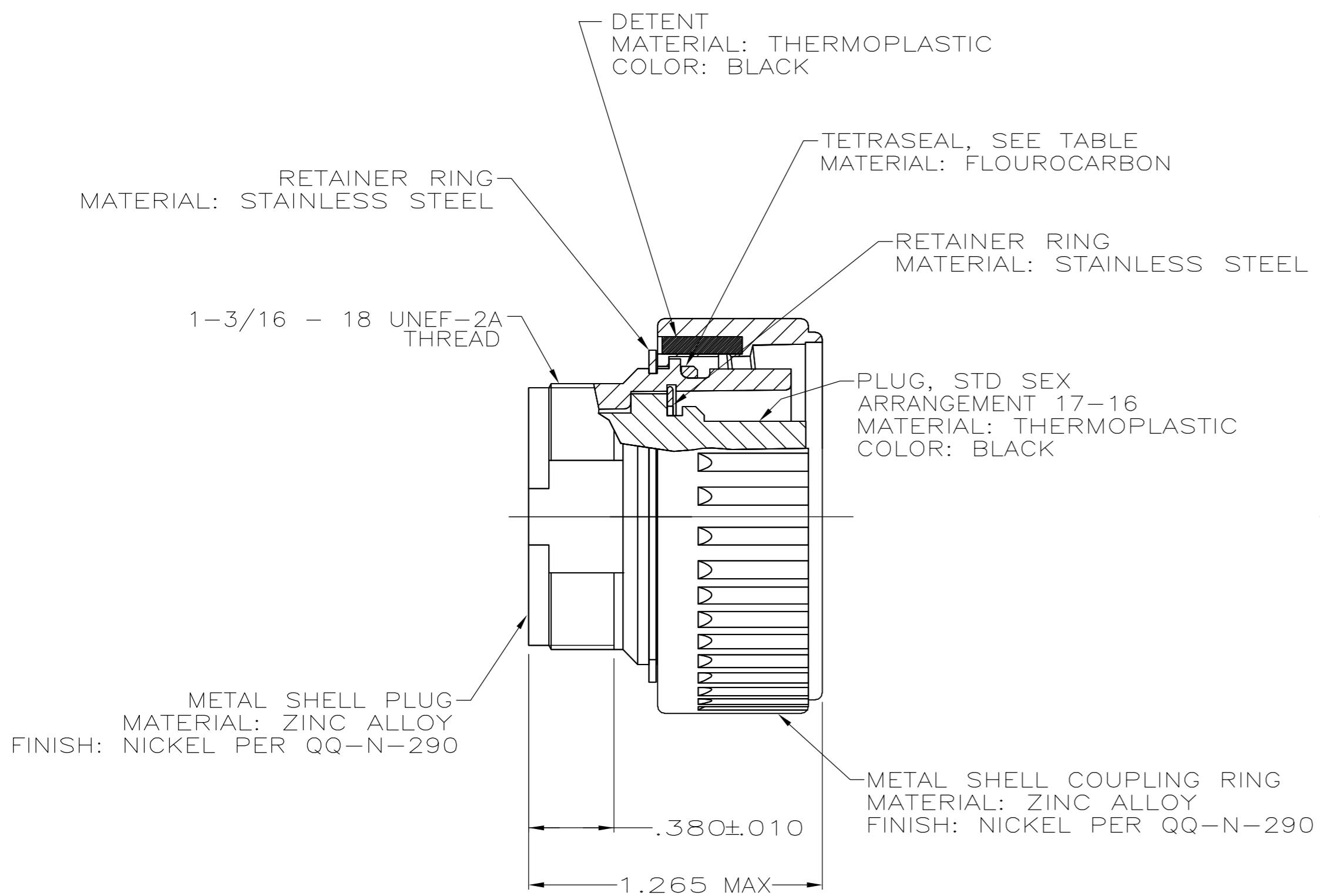


THIS DRAWING IS UNPUBLISHED. RELEASED FOR PUBLICATION
 © COPYRIGHT BY TYCO ELECTRONICS CORPORATION. ALL RIGHTS RESERVED.

LOC	DIST	REVISIONS			
P	LTR	DESCRIPTION	DATE	DWN	APVD
FT	0	U	REVISED PER ECO-07-004158	2/23/07	SS SH



NOTES:

- 208488-1 MATES WITH AMP RECEPTACLE 208489-1 OR -2. 208488-3 MATES WITH AMP RECEPTACLE 208489-1 ONLY.
 - THIS PLUG ACCEPTS SIXTEEN (16) MULTIMATE SOCKET CONTACTS. MAXIMUM WIRE INSULATION DIAMETER = .105.
 - AMP PART NUMBER AND DATE CODE TO BE LOCATED ON COUPLING RING.
- ⚠ COMPONENT KIT (ONE KIT PER BAG); ASSEMBLY AND FUNCTIONALITY ARE ASSUMED BY THE CUSTOMER.

REVERSE POLARIZATION	NO	208488-5
	YES	208488-4 ⚠
	YES	208488-3
	NO	208488-1
TETRASEAL		PART NUMBER

THIS DRAWING IS A CONTROLLED DOCUMENT.		DWN R.LEE BG 6-28-91	Tyco Electronics Corporation Harrisburg, PA 17105-3608	
DIMENSIONS: INCHES		CHK W.G.LENKER 4-20-92		
TOLERANCES UNLESS OTHERWISE SPECIFIED:		APVD -	NAME	
0 PLC ± -		PRODUCT SPEC	PLUG ASSEMBLY, STD SEX, SERIES 1, 22-16, CMC	
1 PLC ± -		108-10040	-	
2 PLC ± -		APPLICATION SPEC	-	
3 PLC ± -			SIZE A2	CAGE CODE 00779
4 PLC ± -			DRAWING NO C=208488	RESTRICTED TO -
ANGLES ± -		WEIGHT -		
FINISH		CUSTOMER DRAWING	SCALE 2:1	SHEET 1 of 1
SEE CALLOUT			REV U	