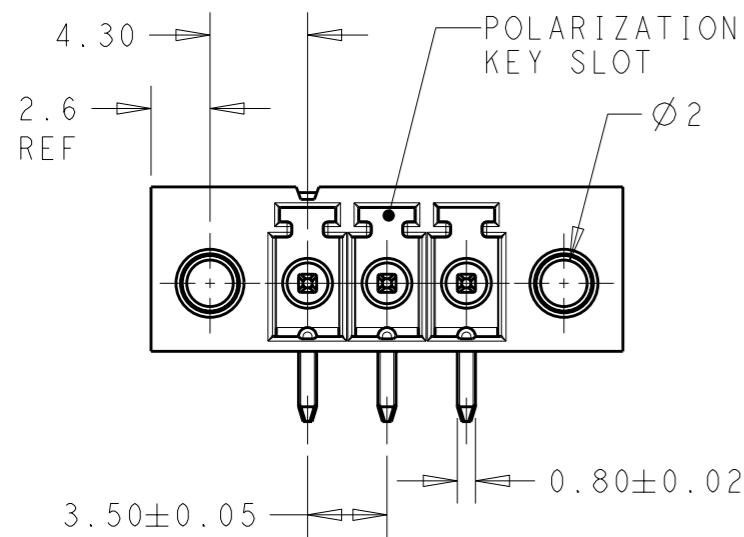


THIS DRAWING IS UNPUBLISHED. RELEASED FOR PUBLICATION 20

© COPYRIGHT 20 BY TYCO ELECTRONICS CORPORATION. ALL INTERNATIONAL RIGHTS RESERVED.

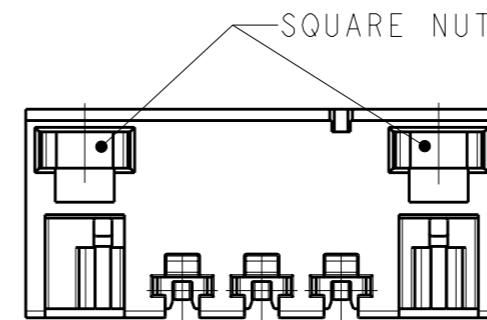
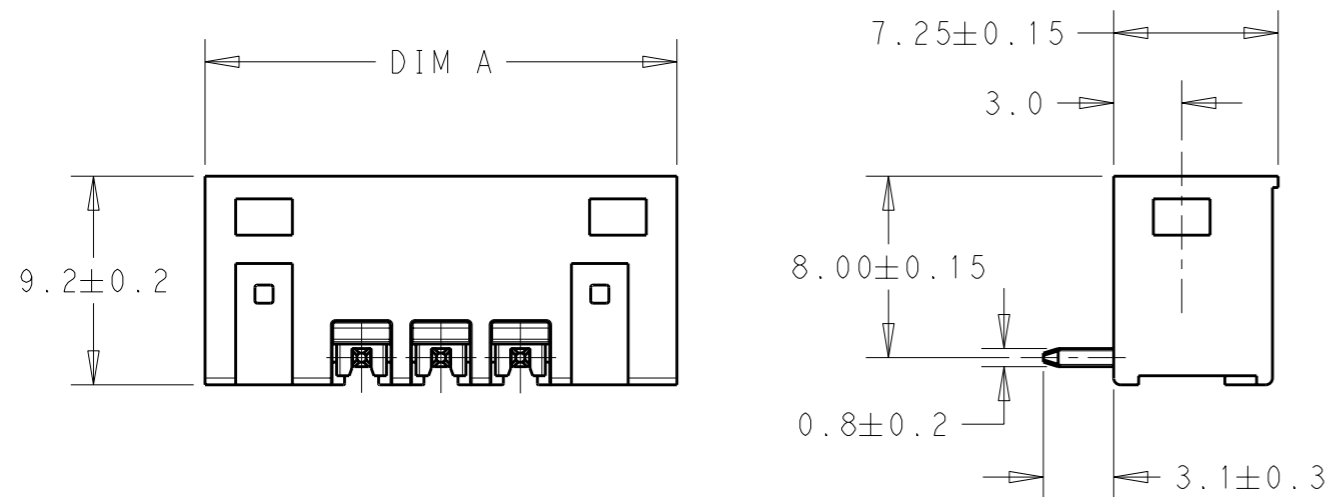
| LOC | DIST | REVISIONS |     |                           |           |     |      |
|-----|------|-----------|-----|---------------------------|-----------|-----|------|
|     |      | P         | LTR | DESCRIPTION               | DATE      | DWN | APVD |
| -   | -    |           | 01  | REVISED PER ECO-09-027788 | 07JAN2010 | SS  | CR   |



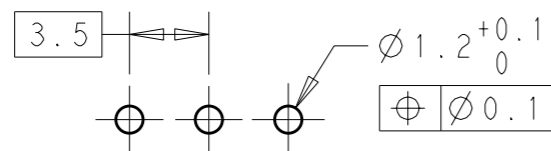
1 MATERIALS AND FINISH:  
HOUSING: HIGH TEMPERATURE POLYAMIDE, UL94V-0,  
COLOR: BLACK.  
TERMINAL: PHOSPHOR BRONZE, TIN PLATED.

2. CONNECTOR ASSEMBLY INCLUDES 2 SQUARE NUTS LOADED IN CAVITY.

3. UL RATING: 300V, 11A.



|       |            |             |
|-------|------------|-------------|
| 52.3  | 12         | 1-1776136-2 |
| 48.8  | 11         | 1-1776136-1 |
| 45.3  | 10         | 1-1776136-0 |
| 41.8  | 9          | 1776136-9   |
| 38.3  | 8          | 1776136-8   |
| 34.8  | 7          | 1776136-7   |
| 31.3  | 6          | 1776136-6   |
| 27.8  | 5          | 1776136-5   |
| 24.3  | 4          | 1776136-4   |
| 20.8  | 3          | 1776136-3   |
| 17.3  | 2          | 1776136-2   |
| DIM A | NO OF POS. | PART NUMBER |



RECOMMENDED PC BOARD LAYOUT

THIS DRAWING IS A CONTROLLED DOCUMENT FOR TYCO ELECTRONICS CORPORATION. IT IS SUBJECT TO CHANGE AND THE CONTROLLING ENGINEERING ORGANIZATION SHOULD BE CONTACTED FOR THE LATEST REVISION.

|                   |   |  |   |         |
|-------------------|---|--|---|---------|
| DIMENSIONS:<br>mm | TOLERANCES UNLESS OTHERWISE SPECIFIED:<br>0 PLC ±<br>1 PLC ±0.3<br>2 PLC ±0.25<br>3 PLC ±<br>4 PLC ±<br>ANGLES ±2 | DWN S. SCHLEGEL 07JAN2010<br>CHK C RICHARD 07JAN2010<br>APVD C RICHARD 07JAN2010 | Tyco Electronics<br>Harrisburg, PA 17105-3608   |         |
| MATERIAL -        | FINISH -  | PRODUCT SPEC -<br>APPLICATION SPEC -<br>WEIGHT -                                 | NAME: TERMINAL BLOCK HEADER ASSEMBLY, 90 DEGREES, W THREADED FLG, 3.5mm PITCH<br>SIZE: A3 CAGE CODE: 00779 DRAWING NO: C-1776136 RESTRICTED TO: - |         |
| CUSTOMER DRAWING  |   | SCALE: 3:1   | SHEET: 1 OF 1   | REV: 01 |