

# FB-MUX/HS/AIOTEMP/PA - Multiplexer



1005330

<https://www.phoenixcontact.com/us/products/1005330>

Please be informed that the data shown in this PDF document is generated from our online catalog. Please find the complete data in the user documentation. Our general terms of use for downloads are valid.



The FB-MUX/HS/AIOTEMP/PA head station can be used with up to three 4-channel analog input modules (RAD-AI4-IFS) or three 4-channel PT100 temperature sensing modules (RAD-PT100-4-IFS), and two 4-channel analog output modules (RAD-AO4-IFS). This configuration can be used as an analog input/output and temperature control solution.

## Product description

The fieldbus PA multiplexer headstation allows the integration of standard Radioline I/O modules to a Profibus PA network. The FB-MUX/HS/PA has five profile software versions for different IO configurations.

## Your advantages

- Scalable according to application needs
- UL listed
- IECEx CoC
- No software needed thanks to a pre-configured head station
- Five application-specific head stations allow simple implementation in the field
- Easy integration into host system with an EDD-, GSD-, or DTM-data file
- Connection of all I/O field signals with standard PROFIBUS PA cable
- Suitable for ATEX Zone 2

## Commercial data

Item number	1005330
Packing unit	1 pc
Sales key	DN11
Product key	DNC135
Catalog page	Page 461 (C-6-2019)
GTIN	4055626475837
Weight per piece (including packing)	182.6 g
Weight per piece (excluding packing)	182.6 g
Customs tariff number	85176200
Country of origin	US

1005330

<https://www.phoenixcontact.com/us/products/1005330>

## Technical data

### Notes

#### Utilization restriction

CCCex note	Use in potentially explosive areas is not permitted in China.
------------	---

### Product properties

Product type	Interface converter
--------------	---------------------

#### Insulation characteristics

Overvoltage category	II
Degree of pollution	2

### Connection data

Connection method	Screw connection
Stripping length	7 mm
Screw thread	M3
Conductor cross section rigid	0.2 mm <sup>2</sup> ... 2.5 mm <sup>2</sup>
Conductor cross section flexible	0.2 mm <sup>2</sup> ... 2.5 mm <sup>2</sup>
Conductor cross section AWG	24 ... 14
Tightening torque	0.5 Nm ... 0.6 Nm

### Interfaces

#### Data: PROFIBUS PA

Number of connections	1
Connection method	Terminal block

### Dimensions

Width	17.5 mm
Height	114.5 mm
Depth	99 mm

### Material specifications

Flammability rating according to UL 94	V0
Housing material	PA 6.6-FR

### Environmental and real-life conditions

#### Ambient conditions

Degree of protection	IP20
Ambient temperature (operation)	-40 °C ... 70 °C
Ambient temperature (storage/transport)	-40 °C ... 85 °C
Altitude	< 2000 m
Permissible humidity (operation)	20 % ... 95 % (non-condensing)

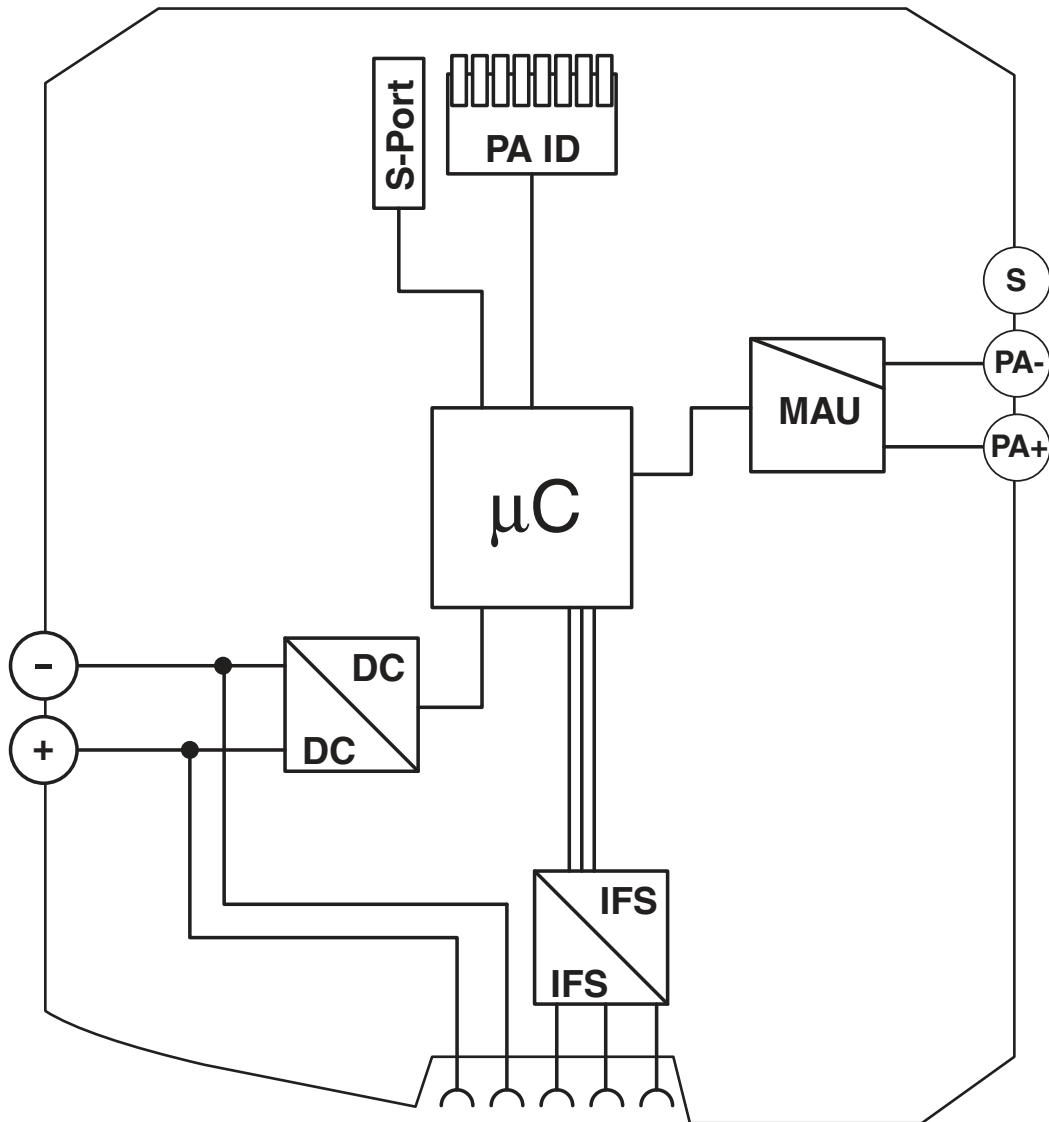
# FB-MUX/HS/AIOTEMP/PA - Multiplexer

1005330

<https://www.phoenixcontact.com/us/products/1005330>

## Drawings

Block diagram



1005330

<https://www.phoenixcontact.com/us/products/1005330>

## Approvals

To download certificates, visit the product detail page: <https://www.phoenixcontact.com/us/products/1005330>



**UL Listed**

Approval ID: FILE E 238705



**cUL Listed**

Approval ID: FILE E 238705



**IECEX**

Approval ID: IECEX IBE 17.0029X



**cUL Listed**

Approval ID: FILE E 358724



**UL Listed**

Approval ID: FILE E 358724



**ATEX**

Approval ID: IBExU17ATEXB011 X

**cULus Listed**

**cULus Listed**

# FB-MUX/HS/AIOTEMP/PA - Multiplexer



1005330

<https://www.phoenixcontact.com/us/products/1005330>

## Classifications

### ECLASS

ECLASS-11.0	19179090
ECLASS-12.0	19179090
ECLASS-13.0	19179090

### ETIM

ETIM 8.0	EC002608
----------	----------

### UNSPSC

UNSPSC 21.0	43222600
-------------	----------

# FB-MUX/HS/AIOTEMP/PA - Multiplexer



1005330

<https://www.phoenixcontact.com/us/products/1005330>

## Environmental product compliance

REACH SVHC

Lead 7439-92-1

# FB-MUX/HS/AIOTEMP/PA - Multiplexer



1005330

<https://www.phoenixcontact.com/us/products/1005330>

## Accessories

### RAD-PT100-4-IFS - I/O extension module

2904035

<https://www.phoenixcontact.com/us/products/2904035>



Radioline - I/O extension module, 4 Pt 100 inputs (-50°C ... +250°C / -58 °F ... 482 °F)

---

### RAD-AI4-IFS - I/O extension module

2901537

<https://www.phoenixcontact.com/us/products/2901537>



Radioline - I/O extension module, 4 analog current inputs (0/4 mA ... 20 mA)

# FB-MUX/HS/AIOTEMP/PA - Multiplexer



1005330

<https://www.phoenixcontact.com/us/products/1005330>

## RAD-AO4-IFS - I/O extension module

2901538

<https://www.phoenixcontact.com/us/products/2901538>



Radioline - I/O extension module, 4 analog current or voltage outputs (0/4 mA ... 20 mA, 0 V ... 10 V)

---

Phoenix Contact 2023 © - all rights reserved

<https://www.phoenixcontact.com>

Phoenix Contact USA  
586 Fulling Mill Road  
Middletown, PA 17057, United States  
(+717) 944-1300  
[info@phoenixcon.com](mailto:info@phoenixcon.com)