

Platinum DRAGON warm white with Chip Level Conversion (CLC) Lead (Pb) Free Product - RoHS Compliant

LCW W5SN

Vorläufige Daten für OS-PCN-2008-003-A / Preliminary Data for OS-PCN-2008-003-A



Besondere Merkmale

- **Gehäusetyp:** weißes SMD Gehäuse, klarer Silikon - Verguss, Chip level conversion
- **Typischer Lichtfluss:** 95 lm bei 3500 K
- **Besonderheit des Bauteils:** hocheffiziente Lichtquelle bei geringem Platzbedarf
- **Farbort:** $x = 0,42, y = 0,40$ nach CIE 1931 (weiß)
- **Farbtemperatur:** 2500K bis 4800K
- **Farbwiedergabeindex:** 80
- **Abstrahlwinkel:** Lambertscher Strahler (120°)
- **Technologie:** ThinGaN
- **optischer Wirkungsgrad:** 38 lm/W bei 3500 K
- **Gruppierungsparameter:** Lichtstrom, Farbort
- **Verarbeitungsmethode:** für alle SMT-Bestücktechniken geeignet
- **Lötmethode:** Reflow Löten
- **Vorbehandlung:** nach JEDEC Level 2
- **Gurtung:** 24-mm Gurt mit 400/Rolle, $\varnothing 180$ mm
- **ESD-Festigkeit:** ESD-sicher bis 2 kV nach JESD22-A114-D

Anwendungen

- Außen- und Innenbeleuchtung im Automobilbereich (z.B. Scheinwerfer)
- Blitzlicht
- Hinterleuchtung (Werbebeleuchtung, Allgemeinbeleuchtung)
- Leselampen (Flugzeug, Auto, Bus)
- Ersatz von Kleinst-Glühlampen
- Fassadenbeleuchtung im Innen- und Außenbereich
- Display Hinterleuchtung mit hohem Helligkeitsbedarf z. B. TFT
- Dekorative Beleuchtung
- Signal- und Symbolleuchten zur Orientierung
- Markierungsbeleuchtung (Stufen, Fluchtwege, u.ä.)

Features

- **package:** white SMD package, colorless clear silicone resin; chip level conversion
- **typical Luminous Flux:** 95 lm at 3500 K
- **feature of the device:** high efficient lightsource at low space
- **color coordinates:** $x = 0.42, y = 0.40$ acc. to CIE 1931 (white)
- **color temperature:** 2500K to 4800K
- **color reproduction index:** 80
- **viewing angle:** Lambertian Emitter (120°)
- **technology:** ThinGaN
- **optical efficiency:** 38 lm/W at 3500 K
- **grouping parameter:** luminous flux, color coordinates
- **assembly methods:** suitable for all SMT assembly methods
- **soldering methods:** reflow soldering
- **preconditioning:** acc. to JEDEC Level 2
- **taping:** 24 mm tape with 400/reel, $\varnothing 180$ mm
- **ESD-withstand voltage:** up to 2 kV acc. to JESD22-A114-D

Applications

- exterior and interior automotive lighting (e.g. front light)
- Flashlight
- backlighting (illuminated advertising, general lighting)
- reading lamps (aircraft, car, bus)
- substitution of micro incandescent lamps
- indoor and outdoor commercial and residential architectural lighting
- display backlight where high brightness is required e.g. TFT
- decorative and entertainment lighting
- signal and symbol luminaire for orientation
- marker lights (e.g. steps, exit ways, etc.)

Bestellinformation
Ordering Information

| Typ | Farbtemperatur | Lichtstrom ¹⁾ Seite 22 | Lichtstärke ²⁾ Seite 22 | Bestellnummer |
|--------------------|-------------------|---|--|---------------|
| Type | color temperature | Luminous Flux ¹⁾ page 22 $I_F = 700 \text{ mA}$ $\Phi_V \text{ (mlm)}$ | Luminous Intensity ²⁾ page 22 $I_F = 700 \text{ mA}$ $I_V \text{ (mcd)}$ | Ordering Code |
| LCW W5SN-JZKZ-4U9X | 2700 K | 61000 ... 112000 | 24500 (typ.) | Q65110A7709 |
| LCW W5SN-JZKZ-4R9T | 3000 K | 61000 ... 112000 | 26300 (typ.) | Q65110A7710 |
| LCW W5SN-KXLX-4O9Q | 3500 K | 71000 ... 130000 | 29800 (typ.) | Q65110A7708 |
| LCW W5SN-KYLY-4L8N | 4000 K | 82000 ... 150000 | 31200 (typ.) | Q65110A7706 |
| LCW W5SN-KYLY-4J8K | 4500 K | 82000 ... 150000 | 32400 (typ.) | Q65110A7707 |

Anm.: Die oben genannten Typbezeichnungen umfassen die bestellbaren Selektionen. Diese bestehen aus wenigen Helligkeitsgruppen (siehe **Seite 10** für nähere Informationen). Es wird nur eine einzige Helligkeitsgruppe pro Gurt geliefert. Z.B.: LCW W5SN-JZKZ-4U9X bedeutet, dass auf dem Gurt nur eine der Helligkeitsgruppen JZ, KX, KY oder KZ enthalten ist.
Um die Liefersicherheit zu gewährleisten, können einzelne Helligkeitsgruppen nicht bestellt werden.

Gleiches gilt für die Farben, bei denen Farbortgruppen gemessen und gruppiert werden. Pro Gurt wird nur eine Farbortgruppe geliefert. Z.B.: LCW W5SN-JZKZ-4U9X bedeutet, dass auf dem Gurt nur eine der Farbortgruppen -4U bis -9X enthalten ist (siehe **Seite 5** für nähere Information).
Um die Liefersicherheit zu gewährleisten, können einzelne Farbortgruppen nicht bestellt werden.

Note: The above Type Numbers represent the order groups which include only a few brightness groups (see **page 10** for explanation). Only one group will be shipped on each reel (there will be no mixing of two groups on each reel). E.g. LCW W5SN-JZKZ-4U9X means that only one group JZ, KX, KY or KZ will be shippable for any one reel.
In order to ensure availability, single brightness groups will not be orderable.

In a similar manner for colors where chromaticity coordinate groups are measured and binned, single chromaticity coordinate groups will be shipped on any one reel. E.g. LCW W5SN-JZKZ-4U9X means that only 1 chromaticity coordinate group -4U to -9X will be shippable on each reel (see **page 5** for explanation).
In order to ensure availability, single chromaticity coordinate groups will not be orderable.

Grenzwerte
Maximum Ratings

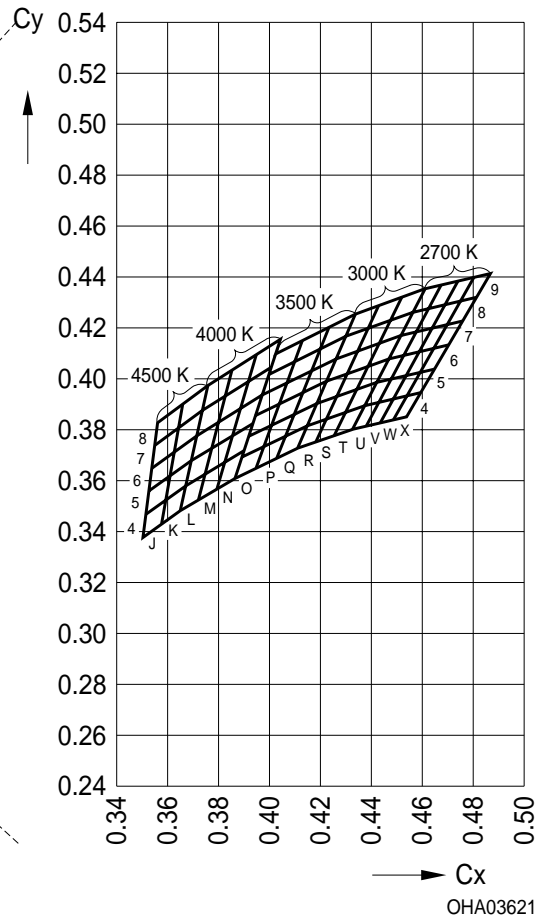
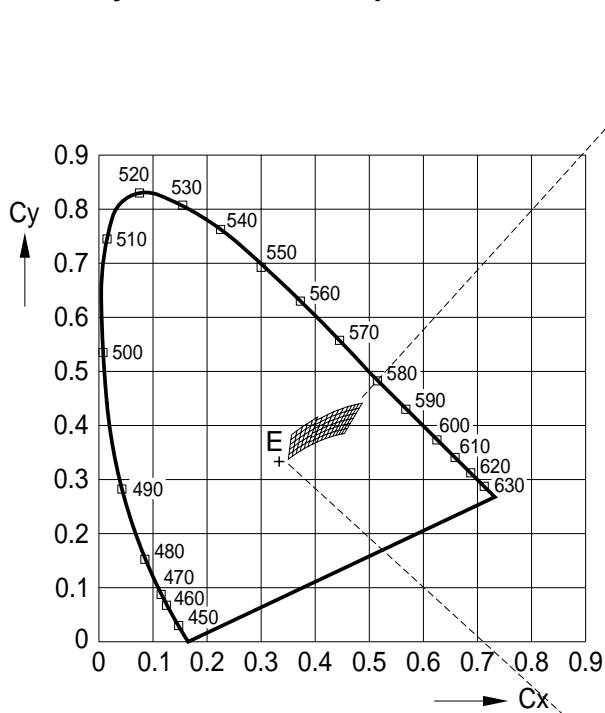
| Bezeichnung Parameter | Symbol Symbol | Wert Value | Einheit Unit |
|---|------------------------------|---------------------------------------|-----------------|
| Betriebstemperatur Operating temperature range | T_{op} | - 40 ... + 125 | °C |
| Lagertemperatur Storage temperature range | T_{stg} | - 40 ... + 125 | °C |
| Sperrschichttemperatur Junction temperature | T_j | >150 for short term applications | °C |
| Sperrschichttemperatur Junction temperature | T_j | 125 | °C |
| Durchlassstrom Forward current ($T_A=25^\circ\text{C}$) | (min.) I_F (max.) I_F | 100 1000 | mA mA |
| Stoßstrom Surge current $t \leq 10 \mu\text{s}, D = 0.005, T_A=25^\circ\text{C}$ | I_{FM} | 2500 | mA |
| Sperrspannung Reverse voltage ($T_A=25^\circ\text{C}$) | V_R | not designed for reverse operation | V |
| Leistungsaufnahme Power consumption ($T_A=25^\circ\text{C}$) | P_{tot} | 4.6 | W |
| Wärmewiderstand ⁴⁾ Seite 22 Thermal resistance ⁴⁾ page 22 Sperrschicht/Löt看垫 Junction/solder point | $R_{th JS}$ | 11 | K/W |

Kennwerte
Characteristics

($T_A = 25\text{ °C}$)

| Bezeichnung Parameter | Symbol Symbol | Wert Value | Einheit Unit |
|---|-------------------------|---------------------------------------|-----------------|
| Farbkoordinate x nach CIE 1931 ⁵⁾ Seite 22 (typ.) Chromaticity coordinate x acc. to CIE 1931 ⁵⁾ page 22 $I_F = 700\text{ mA}$ | x | 0.42 | – |
| Farbkoordinate y nach CIE 1931 ⁵⁾ Seite 22 (typ.) Chromaticity coordinate y acc. to CIE 1931 ⁵⁾ page 22 $I_F = 700\text{ mA}$ | y | 0.40 | – |
| Abstrahlwinkel bei 50 % I_V (Vollwinkel) (typ.) Viewing angle at 50 % I_V | 2 φ | 120 | Grad deg. |
| Durchlassspannung ⁶ Seite 22 (min.) Forward voltage ⁶⁾ page 22 (typ.) $I_F = 700\text{ mA}$ (max.) | V_F V_F V_F | 2.9 3.6 4.0 | V V V |
| Sperrstrom Reverse current (max.) | I_R | not designed for reverse operation | μA |
| Optischer Wirkungsgrad (typ.) Optical efficiency $I_F = 700\text{ mA}, T_C = 3500\text{ K}$ | η_{opt} | 38 | lm/W |

Farbortgruppen³⁾ Seite 21
 Chromaticity Coordinate Groups³⁾ page 21



Farbtemperatur 2700 K
Color temperature 2700K

| Gruppe Group | Cx | Cy |
|-----------------|-------|-------|
| 4U | 0.433 | 0.380 |
| | 0.437 | 0.389 |
| | 0.443 | 0.391 |
| | 0.438 | 0.381 |
| 5U | 0.437 | 0.389 |
| | 0.442 | 0.398 |
| | 0.448 | 0.400 |
| | 0.443 | 0.391 |
| 6U | 0.442 | 0.398 |
| | 0.447 | 0.408 |
| | 0.453 | 0.409 |
| | 0.448 | 0.400 |
| 7U | 0.447 | 0.408 |
| | 0.451 | 0.417 |
| | 0.458 | 0.418 |
| | 0.453 | 0.409 |
| 8U | 0.451 | 0.417 |
| | 0.456 | 0.426 |
| | 0.462 | 0.427 |
| | 0.458 | 0.418 |
| 9U | 0.456 | 0.426 |
| | 0.461 | 0.435 |
| | 0.467 | 0.437 |
| | 0.462 | 0.427 |
| 4V | 0.438 | 0.381 |
| | 0.443 | 0.391 |
| | 0.448 | 0.392 |
| | 0.443 | 0.383 |
| 5V | 0.443 | 0.391 |
| | 0.448 | 0.400 |
| | 0.453 | 0.401 |
| | 0.448 | 0.392 |

| Gruppe Group | Cx | Cy |
|-----------------|-------|-------|
| 6V | 0.448 | 0.400 |
| | 0.453 | 0.409 |
| | 0.459 | 0.410 |
| | 0.453 | 0.401 |
| 7V | 0.453 | 0.409 |
| | 0.458 | 0.418 |
| | 0.464 | 0.420 |
| | 0.459 | 0.410 |
| 8V | 0.458 | 0.418 |
| | 0.462 | 0.427 |
| | 0.469 | 0.429 |
| | 0.464 | 0.420 |
| 9V | 0.462 | 0.427 |
| | 0.467 | 0.437 |
| | 0.474 | 0.438 |
| | 0.469 | 0.429 |
| 4W | 0.443 | 0.383 |
| | 0.448 | 0.392 |
| | 0.454 | 0.393 |
| | 0.448 | 0.384 |
| 5W | 0.448 | 0.392 |
| | 0.453 | 0.401 |
| | 0.459 | 0.402 |
| | 0.454 | 0.393 |
| 6W | 0.453 | 0.401 |
| | 0.459 | 0.410 |
| | 0.464 | 0.412 |
| | 0.459 | 0.402 |
| 7W | 0.459 | 0.410 |
| | 0.464 | 0.420 |
| | 0.470 | 0.421 |
| | 0.464 | 0.412 |

| Gruppe Group | Cx | Cy |
|-----------------|-------|-------|
| 8W | 0.464 | 0.420 |
| | 0.469 | 0.429 |
| | 0.475 | 0.430 |
| | 0.470 | 0.421 |
| 9W | 0.469 | 0.429 |
| | 0.474 | 0.438 |
| | 0.480 | 0.440 |
| | 0.475 | 0.430 |
| 4X | 0.448 | 0.384 |
| | 0.454 | 0.393 |
| | 0.459 | 0.394 |
| | 0.454 | 0.385 |
| 5X | 0.454 | 0.393 |
| | 0.459 | 0.402 |
| | 0.465 | 0.404 |
| | 0.459 | 0.394 |
| 6X | 0.459 | 0.402 |
| | 0.464 | 0.412 |
| | 0.470 | 0.413 |
| | 0.465 | 0.404 |
| 7X | 0.464 | 0.412 |
| | 0.470 | 0.421 |
| | 0.476 | 0.423 |
| | 0.470 | 0.413 |
| 8X | 0.470 | 0.421 |
| | 0.475 | 0.430 |
| | 0.481 | 0.432 |
| | 0.476 | 0.423 |
| 9X | 0.475 | 0.430 |
| | 0.480 | 0.440 |
| | 0.487 | 0.441 |
| | 0.481 | 0.432 |

Farbtemperatur 3000 K
Color temperature 3000 K

| Gruppe Group | Cx | Cy |
|-----------------|-------|-------|
| 4R | 0.411 | 0.373 |
| | 0.415 | 0.381 |
| | 0.422 | 0.384 |
| | 0.418 | 0.375 |
| 5R | 0.415 | 0.381 |
| | 0.419 | 0.390 |
| | 0.426 | 0.393 |
| | 0.422 | 0.384 |
| 6R | 0.419 | 0.390 |
| | 0.422 | 0.399 |
| | 0.430 | 0.402 |
| | 0.426 | 0.293 |
| 7R | 0.422 | 0.399 |
| | 0.426 | 0.408 |
| | 0.435 | 0.411 |
| | 0.430 | 0.402 |
| 8R | 0.426 | 0.408 |
| | 0.430 | 0.417 |
| | 0.439 | 0.420 |
| | 0.435 | 0.411 |
| 9R | 0.430 | 0.417 |
| | 0.434 | 0.425 |
| | 0.443 | 0.429 |
| | 0.439 | 0.420 |

| Gruppe Group | Cx | Cy |
|-----------------|-------|-------|
| 4S | 0.418 | 0.375 |
| | 0.422 | 0.384 |
| | 0.430 | 0.387 |
| | 0.425 | 0.378 |
| 5S | 0.422 | 0.384 |
| | 0.426 | 0.393 |
| | 0.434 | 0.396 |
| | 0.430 | 0.387 |
| 6S | 0.426 | 0.393 |
| | 0.430 | 0.402 |
| | 0.439 | 0.405 |
| | 0.434 | 0.396 |
| 7S | 0.430 | 0.402 |
| | 0.435 | 0.411 |
| | 0.443 | 0.414 |
| | 0.439 | 0.405 |
| 8S | 0.435 | 0.411 |
| | 0.439 | 0.420 |
| | 0.447 | 0.423 |
| | 0.443 | 0.414 |
| 9S | 0.439 | 0.420 |
| | 0.443 | 0.429 |
| | 0.452 | 0.432 |
| | 0.447 | 0.423 |

| Gruppe Group | Cx | Cy |
|-----------------|-------|-------|
| 4T | 0.425 | 0.378 |
| | 0.430 | 0.387 |
| | 0.437 | 0.389 |
| | 0.433 | 0.380 |
| 5T | 0.430 | 0.387 |
| | 0.434 | 0.396 |
| | 0.442 | 0.398 |
| | 0.437 | 0.389 |
| 6T | 0.434 | 0.396 |
| | 0.439 | 0.405 |
| | 0.447 | 0.408 |
| | 0.442 | 0.398 |
| 7T | 0.439 | 0.405 |
| | 0.443 | 0.414 |
| | 0.451 | 0.417 |
| | 0.447 | 0.408 |
| 8T | 0.443 | 0.414 |
| | 0.447 | 0.423 |
| | 0.456 | 0.426 |
| | 0.451 | 0.417 |
| 9T | 0.447 | 0.423 |
| | 0.452 | 0.432 |
| | 0.461 | 0.435 |
| | 0.456 | 0.426 |

Farbtemperatur 3500 K
Color temperature 3500 K

| Gruppe Group | Cx | Cy |
|-----------------|-------|-------|
| 40 | 0.386 | 0.361 |
| | 0.389 | 0.369 |
| | 0.398 | 0.373 |
| | 0.394 | 0.365 |
| 50 | 0.389 | 0.369 |
| | 0.392 | 0.377 |
| | 0.401 | 0.381 |
| | 0.398 | 0.373 |
| 60 | 0.392 | 0.377 |
| | 0.394 | 0.385 |
| | 0.404 | 0.390 |
| | 0.401 | 0.381 |
| 70 | 0.394 | 0.385 |
| | 0.397 | 0.393 |
| | 0.407 | 0.398 |
| | 0.404 | 0.390 |
| 80 | 0.397 | 0.393 |
| | 0.400 | 0.401 |
| | 0.410 | 0.408 |
| | 0.407 | 0.398 |
| 90 | 0.400 | 0.401 |
| | 0.402 | 0.410 |
| | 0.413 | 0.415 |
| | 0.410 | 0.406 |

| Gruppe Group | Cx | Cy |
|-----------------|-------|-------|
| 4P | 0.394 | 0.365 |
| | 0.398 | 0.373 |
| | 0.406 | 0.377 |
| | 0.403 | 0.369 |
| 5P | 0.398 | 0.373 |
| | 0.401 | 0.381 |
| | 0.410 | 0.386 |
| | 0.406 | 0.377 |
| 6P | 0.401 | 0.381 |
| | 0.404 | 0.390 |
| | 0.413 | 0.394 |
| | 0.410 | 0.386 |
| 7P | 0.404 | 0.390 |
| | 0.407 | 0.398 |
| | 0.416 | 0.403 |
| | 0.413 | 0.394 |
| 8P | 0.407 | 0.398 |
| | 0.410 | 0.406 |
| | 0.420 | 0.412 |
| | 0.416 | 0.403 |
| 9P | 0.410 | 0.406 |
| | 0.413 | 0.415 |
| | 0.423 | 0.420 |
| | 0.420 | 0.412 |

| Gruppe Group | Cx | Cy |
|-----------------|-------|-------|
| 4Q | 0.403 | 0.369 |
| | 0.406 | 0.377 |
| | 0.415 | 0.381 |
| | 0.411 | 0.373 |
| 5Q | 0.406 | 0.377 |
| | 0.410 | 0.386 |
| | 0.419 | 0.390 |
| | 0.415 | 0.381 |
| 6Q | 0.410 | 0.386 |
| | 0.413 | 0.394 |
| | 0.422 | 0.399 |
| | 0.419 | 0.390 |
| 7Q | 0.413 | 0.394 |
| | 0.416 | 0.403 |
| | 0.426 | 0.408 |
| | 0.422 | 0.399 |
| 8Q | 0.416 | 0.403 |
| | 0.420 | 0.412 |
| | 0.430 | 0.417 |
| | 0.426 | 0.408 |
| 9Q | 0.420 | 0.412 |
| | 0.423 | 0.420 |
| | 0.434 | 0.425 |
| | 0.430 | 0.417 |

Farbtemperatur 4000 K
Color temperature 4000 K

| Gruppe Group | Cx | Cy |
|-----------------|-------|-------|
| 4L | 0.365 | 0.348 |
| | 0.367 | 0.358 |
| | 0.375 | 0.362 |
| | 0.372 | 0.352 |
| 5L | 0.367 | 0.358 |
| | 0.369 | 0.368 |
| | 0.377 | 0.373 |
| | 0.375 | 0.362 |
| 6L | 0.369 | 0.368 |
| | 0.371 | 0.378 |
| | 0.380 | 0.383 |
| | 0.377 | 0.373 |
| 7L | 0.371 | 0.378 |
| | 0.374 | 0.387 |
| | 0.383 | 0.393 |
| | 0.380 | 0.383 |
| 8L | 0.374 | 0.387 |
| | 0.376 | 0.397 |
| | 0.385 | 0.403 |
| | 0.383 | 0.393 |

| Gruppe Group | Cx | Cy |
|-----------------|-------|-------|
| 4M | 0.372 | 0.352 |
| | 0.375 | 0.362 |
| | 0.382 | 0.367 |
| | 0.379 | 0.356 |
| 5M | 0.375 | 0.362 |
| | 0.377 | 0.373 |
| | 0.385 | 0.378 |
| | 0.382 | 0.367 |
| 6M | 0.377 | 0.373 |
| | 0.380 | 0.383 |
| | 0.388 | 0.388 |
| | 0.385 | 0.376 |
| 7M | 0.380 | 0.383 |
| | 0.383 | 0.393 |
| | 0.392 | 0.399 |
| | 0.388 | 0.388 |
| 8M | 0.383 | 0.393 |
| | 0.385 | 0.403 |
| | 0.395 | 0.409 |
| | 0.392 | 0.399 |

| Gruppe Group | Cx | Cy |
|-----------------|-------|-------|
| 4N | 0.379 | 0.356 |
| | 0.382 | 0.367 |
| | 0.390 | 0.372 |
| | 0.386 | 0.361 |
| 5N | 0.382 | 0.367 |
| | 0.385 | 0.376 |
| | 0.393 | 0.383 |
| | 0.390 | 0.372 |
| 6N | 0.385 | 0.378 |
| | 0.388 | 0.388 |
| | 0.397 | 0.393 |
| | 0.393 | 0.383 |
| 7N | 0.388 | 0.388 |
| | 0.392 | 0.399 |
| | 0.401 | 0.404 |
| | 0.397 | 0.393 |
| 8N | 0.392 | 0.399 |
| | 0.395 | 0.409 |
| | 0.404 | 0.415 |
| | 0.401 | 0.404 |

Farbtemperatur 4500 K
Color temperature 4500 K

| Gruppe Group | Cx | Cy |
|-----------------|-------|-------|
| 4J | 0.350 | 0.337 |
| | 0.351 | 0.347 |
| | 0.359 | 0.352 |
| | 0.357 | 0.343 |
| 5J | 0.351 | 0.347 |
| | 0.352 | 0.356 |
| | 0.361 | 0.362 |
| | 0.359 | 0.352 |
| 6J | 0.352 | 0.356 |
| | 0.354 | 0.365 |
| | 0.363 | 0.371 |
| | 0.361 | 0.362 |
| 7J | 0.354 | 0.365 |
| | 0.355 | 0.374 |
| | 0.364 | 0.381 |
| | 0.363 | 0.371 |

| Gruppe Group | Cx | Cy |
|-----------------|-------|-------|
| 8J | 0.355 | 0.374 |
| | 0.356 | 0.383 |
| | 0.366 | 0.390 |
| | 0.364 | 0.381 |
| 4K | 0.357 | 0.343 |
| | 0.359 | 0.352 |
| | 0.367 | 0.358 |
| | 0.365 | 0.348 |
| 5K | 0.359 | 0.352 |
| | 0.361 | 0.362 |
| | 0.369 | 0.368 |
| | 0.367 | 0.358 |

| Gruppe Group | Cx | Cy |
|-----------------|-------|-------|
| 6K | 0.361 | 0.362 |
| | 0.363 | 0.371 |
| | 0.371 | 0.378 |
| | 0.369 | 0.368 |
| 7K | 0.363 | 0.371 |
| | 0.364 | 0.381 |
| | 0.374 | 0.387 |
| | 0.371 | 0.378 |
| 8K | 0.364 | 0.381 |
| | 0.366 | 0.390 |
| | 0.376 | 0.397 |
| | 0.374 | 0.387 |

Helligkeits-Gruppierungsschema
Brightness Groups

| Helligkeitsgruppe Brightness Group | Lichtstrom ^{1) Seite 22} Luminous Flux ^{1) page 22} Φ_v (lm) | Lichtstärke ^{2) Seite 22} Luminous Intensity ^{2) page 22} I_v (mcd) |
|---|---|---|
| JZ | 61000 ... 71000 | 22000 (typ.) |
| KX | 71000 ... 82000 | 25500 (typ.) |
| KY | 82000 ... 97000 | 30000 (typ.) |
| KZ | 97000 ... 112000 | 34800 (typ.) |
| LX | 112000 ... 130000 | 40300 (typ.) |
| LY | 130000 ... 150000 | 46700 (typ.) |

Anm.: Die Standardlieferform von Serientypen beinhaltet eine Familiengruppe. Diese besteht aus wenigen Helligkeitsgruppen. Einzelne Helligkeitsgruppen sind nicht bestellbar.

Note: The standard shipping format for serial types includes a family group of only a few individual brightness groups. Individual brightness groups cannot be ordered.

Gruppenbezeichnung auf Etikett
Group Name on Label

Beispiel: JZ-4U
 Example: JZ-4U

| Helligkeitsgruppe Brightness Group | Farbortgruppe Chromaticity Coordinate Group |
|---|--|
| JZ | 4U |

Anm.: In einer Verpackungseinheit / Gurt ist immer nur eine Helligkeitsgruppe enthalten.

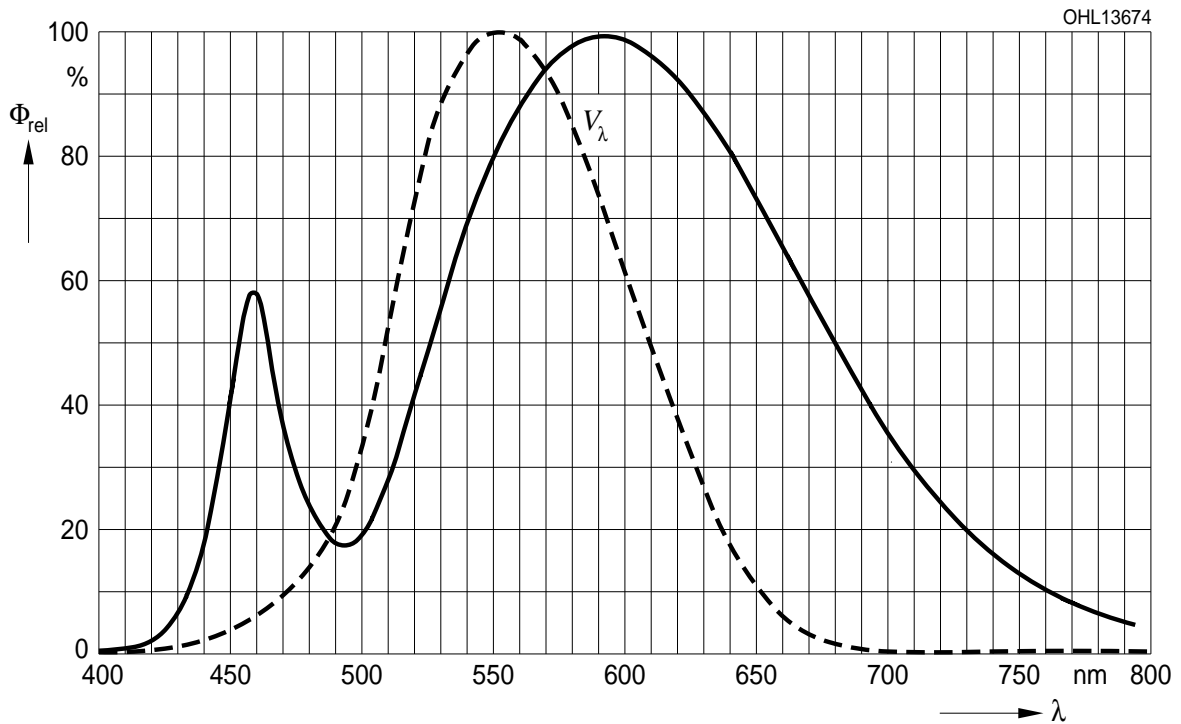
Note: No packing unit / tape ever contains more than one brightness group.

Relative spektrale Emission²⁾ Seite 22

Relative Spectral Emission²⁾ page 22

$V(\lambda)$ = spektrale Augenempfindlichkeit / Standard eye response curve

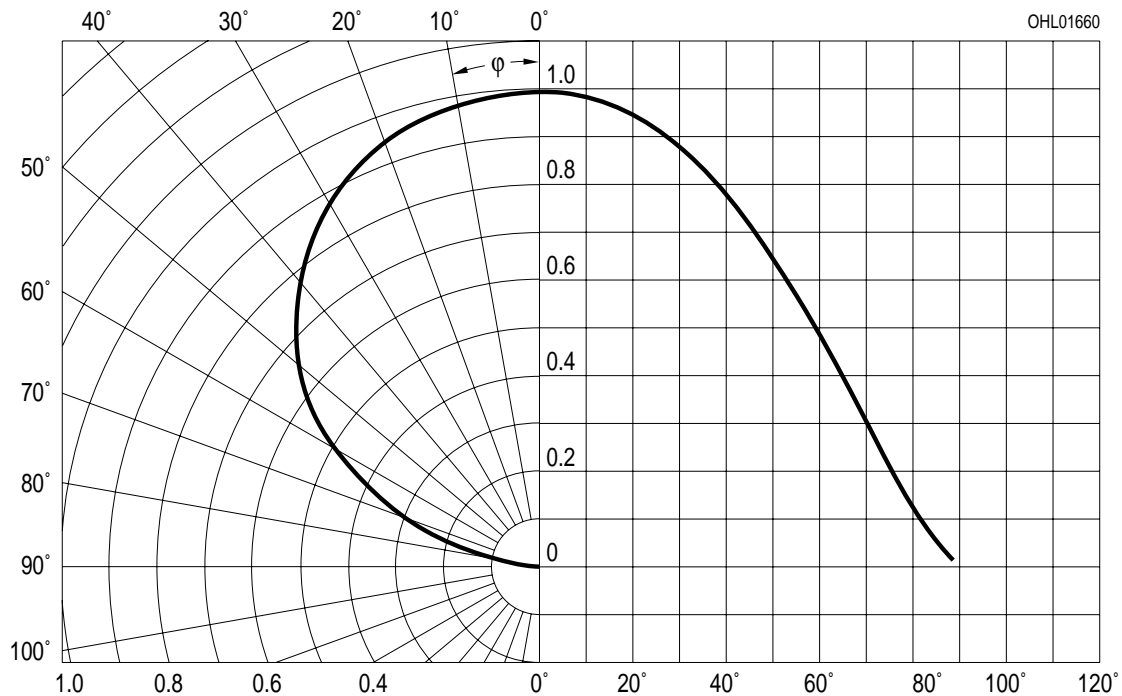
$\Phi_{rel} = f(\lambda)$; $T_A = 25\text{ °C}$; $I_F = 700\text{ mA}$



Abstrahlcharakteristik²⁾ Seite 22

Radiation Characteristic²⁾ page 22

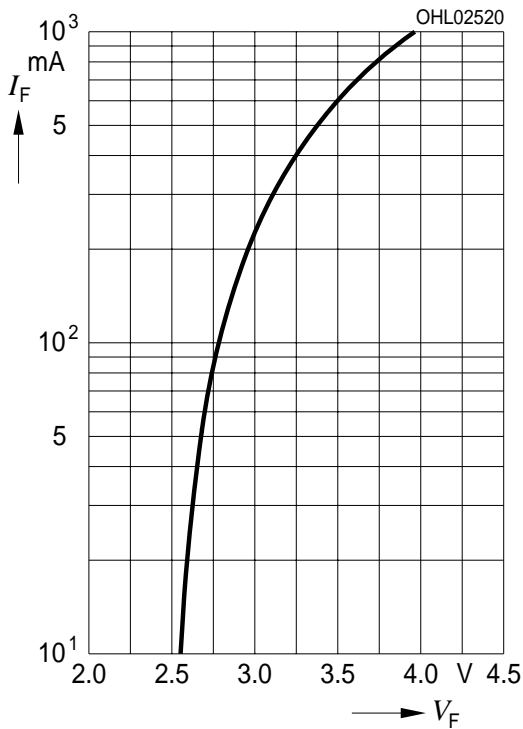
$I_{rel} = f(\varphi)$; $T_A = 25\text{ °C}$



Durchlassstrom²⁾ Seite 22

Forward Current²⁾ page 22

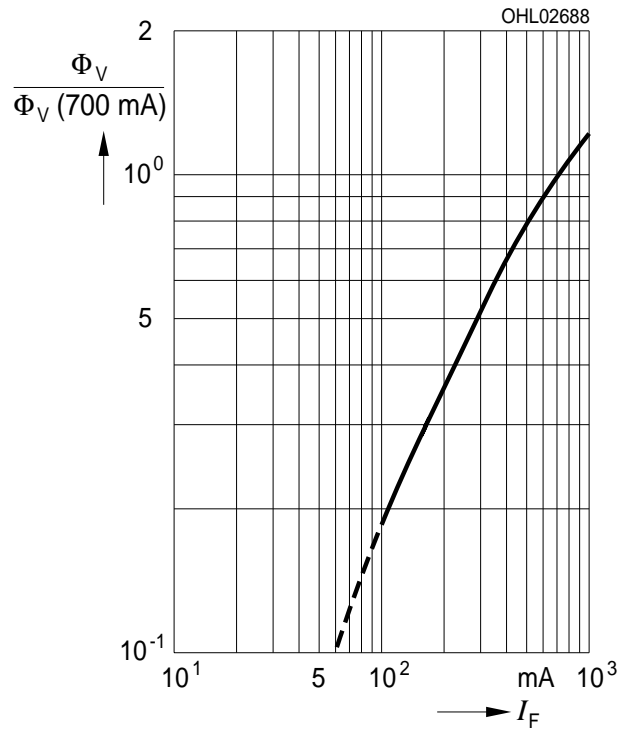
$I_F = f(V_F); T_A = 25\text{ °C}$



Relative Lichtstrom²⁾ 7) Seite 22

Relative Luminous Flux²⁾ 7) page 22

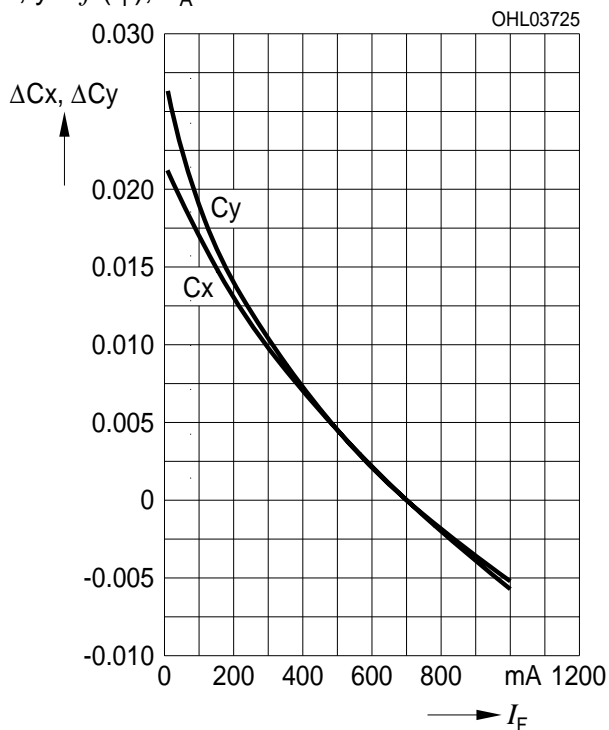
$\Phi_V / \Phi_{V(700\text{ mA})} = f(I_F); T_A = 25\text{ °C}$



Farbortverschiebung²⁾ Seite 15

Chromaticity Coordinate Shift²⁾ page 15

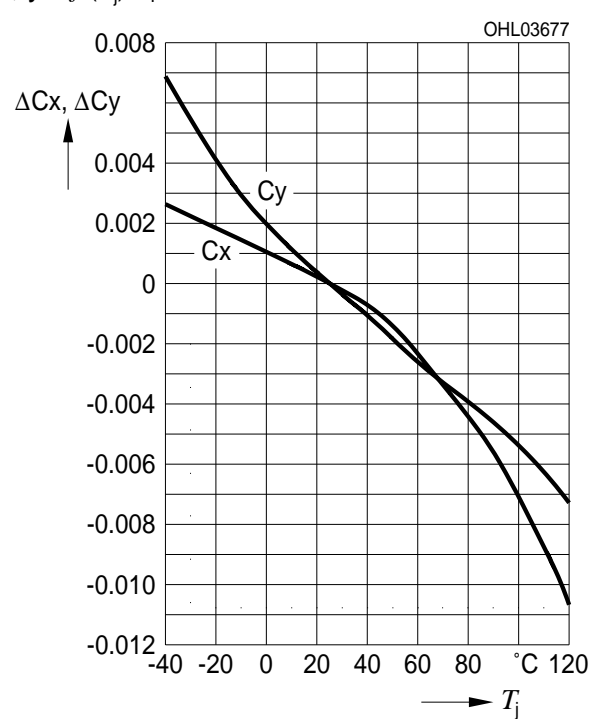
$x, y = f(I_F); T_A = 25\text{ °C}$



Farbortverschiebung²⁾ Seite 15

Chromaticity Coordinate Shift²⁾ page 15

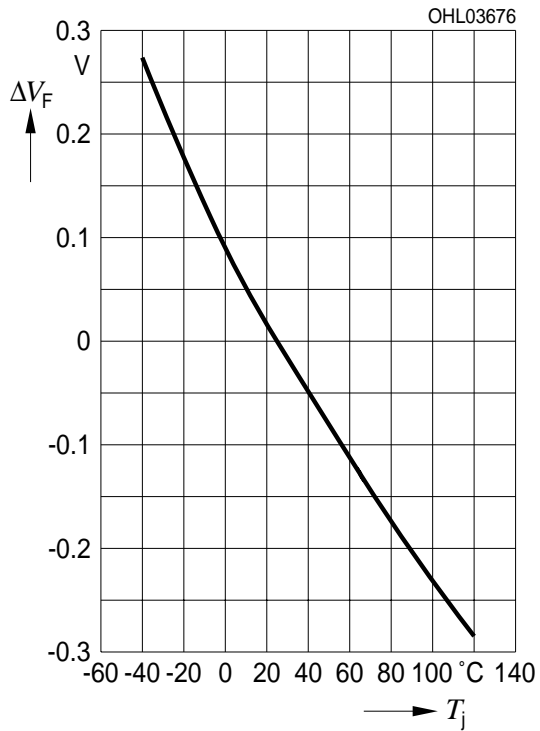
$x, y = f(T_j); I_F = 700\text{ mA}$



Relative Vorwärtsspannung²⁾ Seite 15

Relative Forward Voltage²⁾ page 15

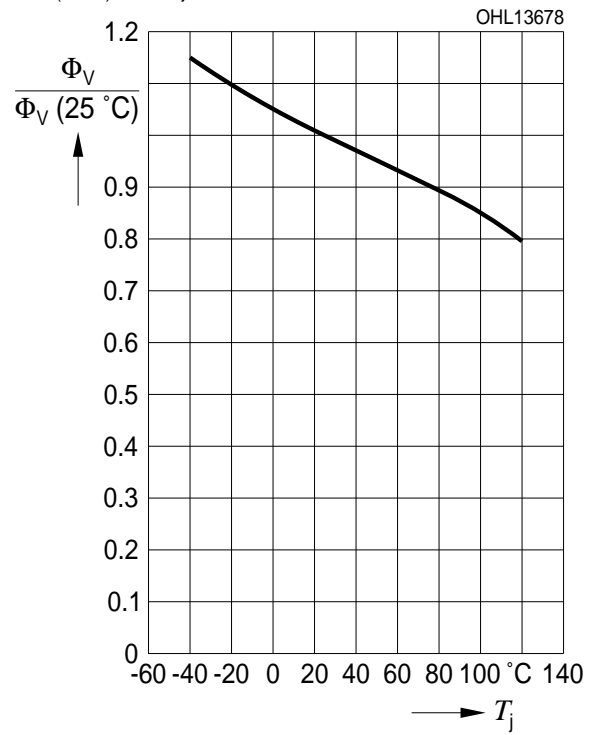
$$\Delta V_F = V_F - V_{F(25\text{ °C})} = f(T_j); I_F = 700\text{ mA}$$



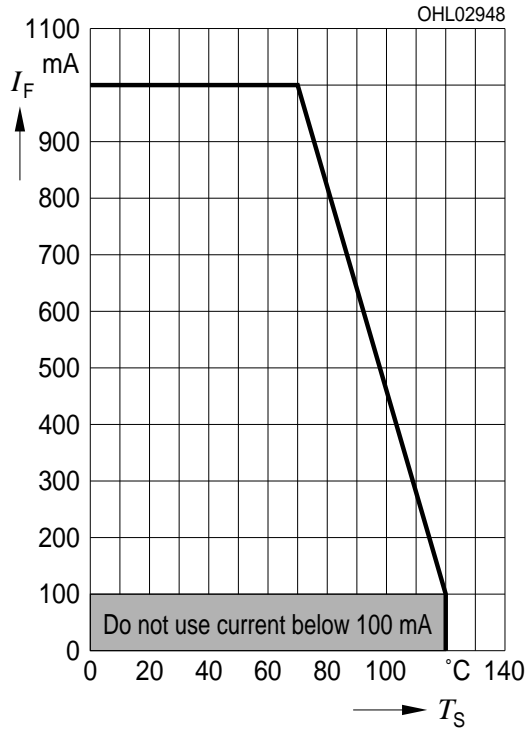
Relative Lichtstrom²⁾ Seite 15

Relative Luminous Flux²⁾ page 15

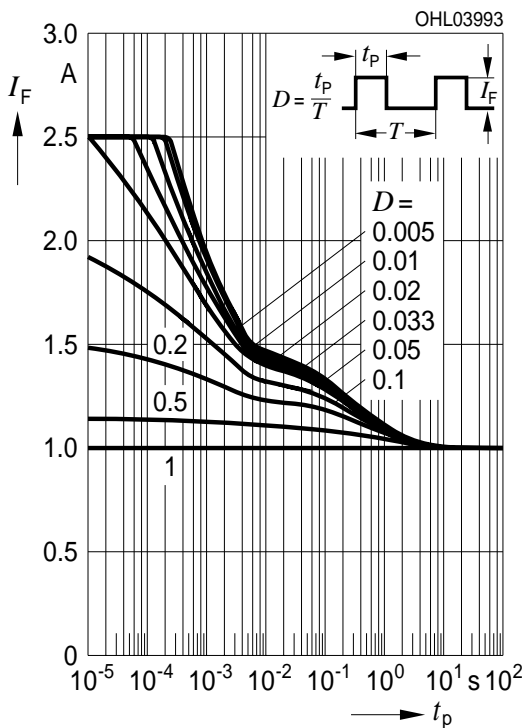
$$\Phi_V / \Phi_{V(25\text{ °C})} = f(T_j); I_F = 700\text{ mA}$$



Maximal zulässiger Durchlassstrom
Max. Permissible Forward Current
 $I_F = f(T_S)$



Zulässige Impulsbelastbarkeit $I_F = f(t_p)$
Permissible Pulse Handling Capability
 Duty cycle $D =$ parameter, $T_S = 25^\circ\text{C}$

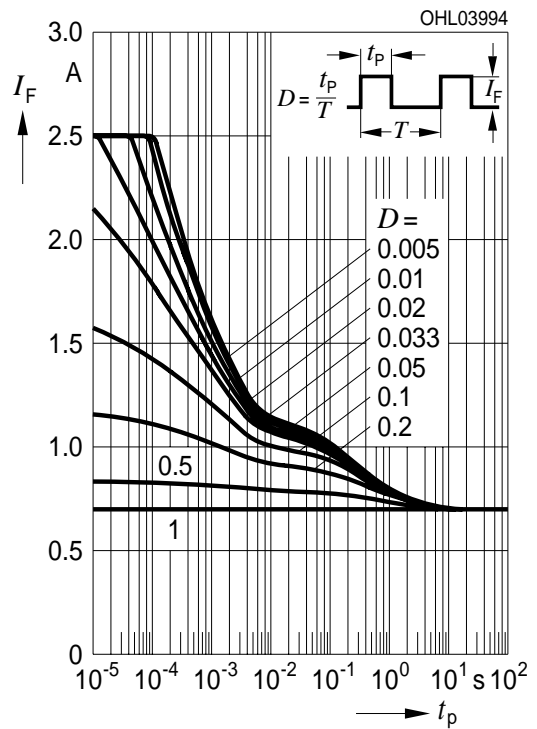


Exemplarische durchschnittliche²⁾ Seite 22
Lebensdauer für mittlere Helligkeitsgruppe
Exemplary median Lifetime²⁾ page 22
for median Brightness Group

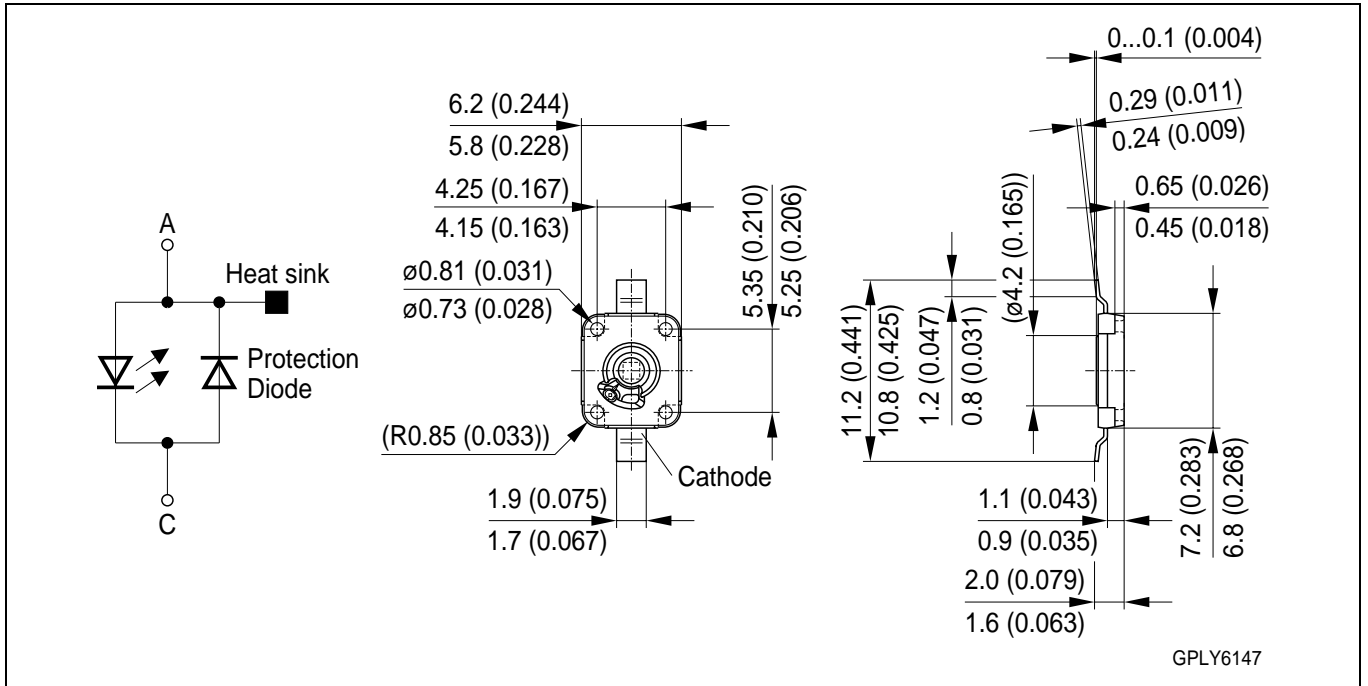
| Bedingungen Conditions | mittlere Lebensdauer median Lifetime | Einheit Unit |
|---|---|------------------------------------|
| $I_F = 500\text{ mA}$ $T_S = 25^\circ\text{C}$ | 25.000 | Betriebsstunden operating hours |
| $I_F = 700\text{ mA}$ $T_S = 85^\circ\text{C}$ | 11.000 | Betriebsstunden operating hours |

*The emitter die exhibits excellent performance but slight package discoloration occurs at highest temperatures. The median lifetime depends on the application

Zulässige Impulsbelastbarkeit $I_F = f(t_p)$
Permissible Pulse Handling Capability
 Duty cycle $D =$ parameter, $T_S = 85^\circ\text{C}$



Maßzeichnung⁸⁾ Seite 22
 Package Outlines⁸⁾ page 22

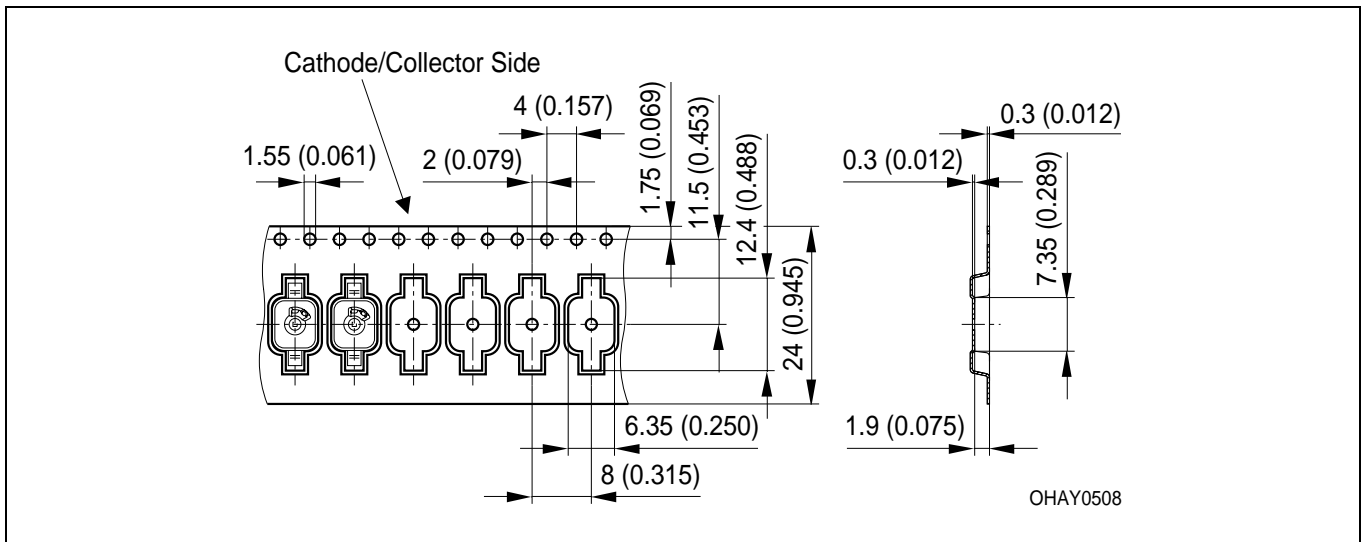


Kathodenkennung:
Cathode mark:
Gewicht / Approx. weight:

Markierung
 mark
 200 mg

Gurtung / Polarität und Lage⁸⁾ Seite 22
Method of Taping / Polarity and Orientation⁸⁾ page 22

Verpackungseinheit 400/Rolle, ø180 mm
 Packing unit 400/reel, ø180 mm



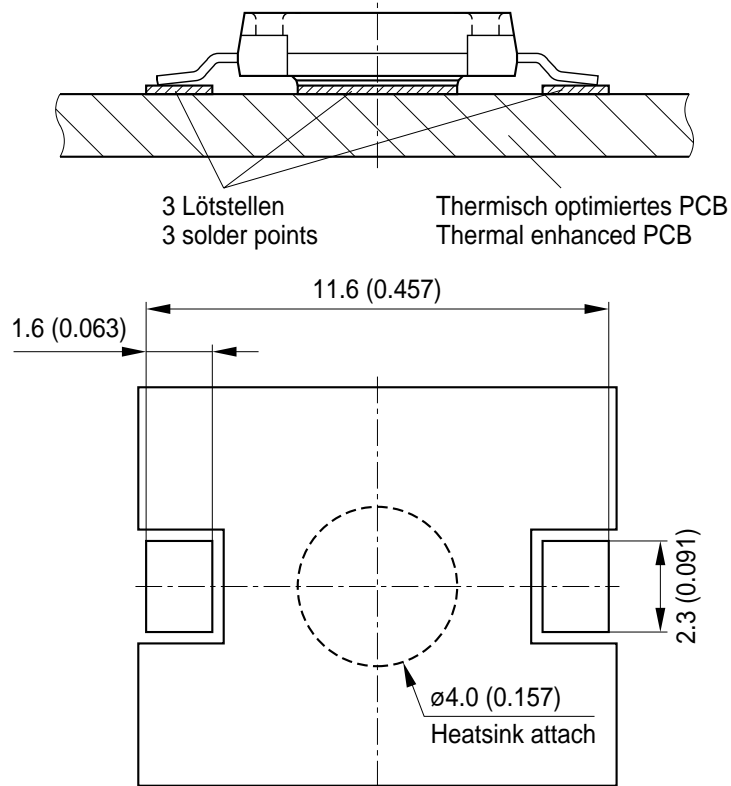
Empfohlenes Lötpaddesign⁸⁾ Seite 22
 Recommended Solder Pad⁸⁾ page 22

Reflow Löten
 Reflow Soldering

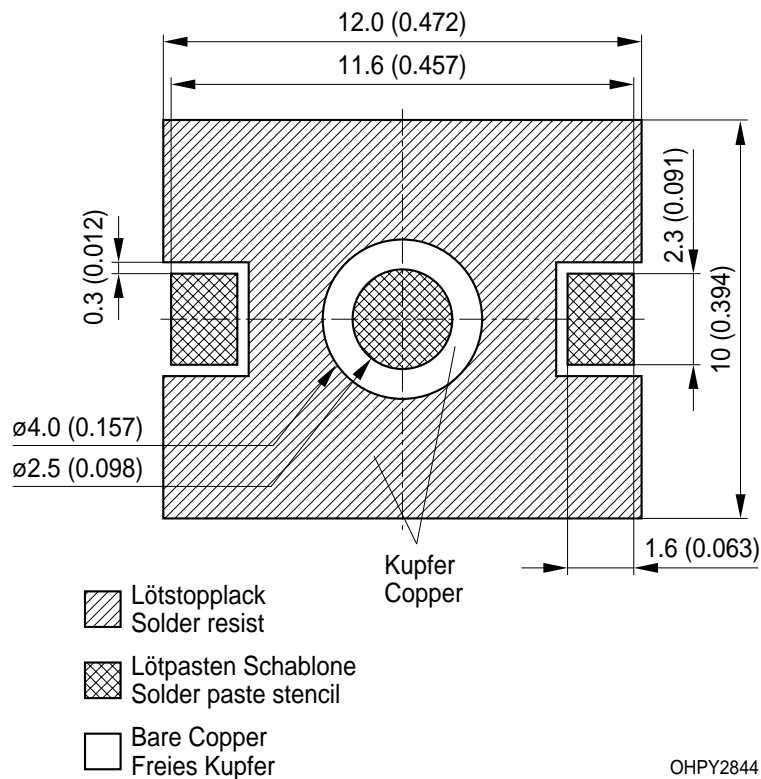
Achtung:
 Anode und
 Heatsink sind
 elektrisch
 verbunden

Attention:
 Anode and
 Heatsink are
 electrically
 connected

Footprint



Empfohlene
 Padgeometrie
 Recommended
 Solder Pad
 Design

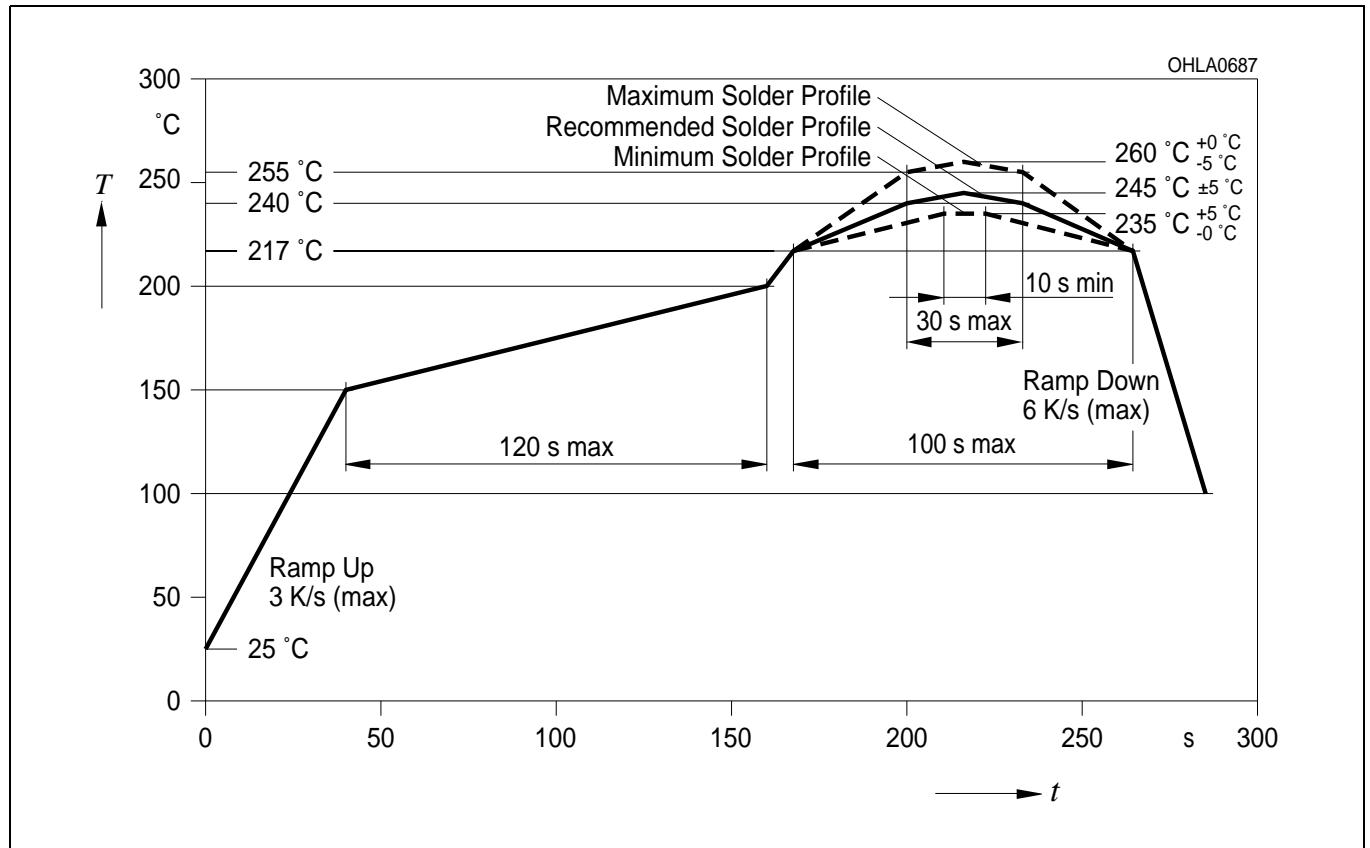


OHPY2844

Lötbedingungen
Soldering Conditions

Reflow Lötprofil für bleifreies Löten
Reflow Soldering Profile for lead free soldering

Vorbehandlung nach JEDEC Level 2
 Preconditioning acc. to JEDEC Level 2
 (nach J-STD-020B)
 (acc. to J-STD-020B)



Anm.: Das Gehäuse ist für Ultraschallreinigung nicht geeignet
Note: Package not suitable for ultra sonic cleaning

Barcode-Produkt-Etikett (BPL)
Barcode-Product-Label (BPL)

OSRAM Opto Semiconductors

Lx xxxx Bin1: Bin Information Color 1
 Product Name Bin2:
 Bin3:

(6P) BATCH NO: Batch Number
Bar Code

RoHS Compliant ML Temp ST
 2 260 C RT

(1T) LOT NO: Lot Number (9D) D/C: Date Code
Bar Code

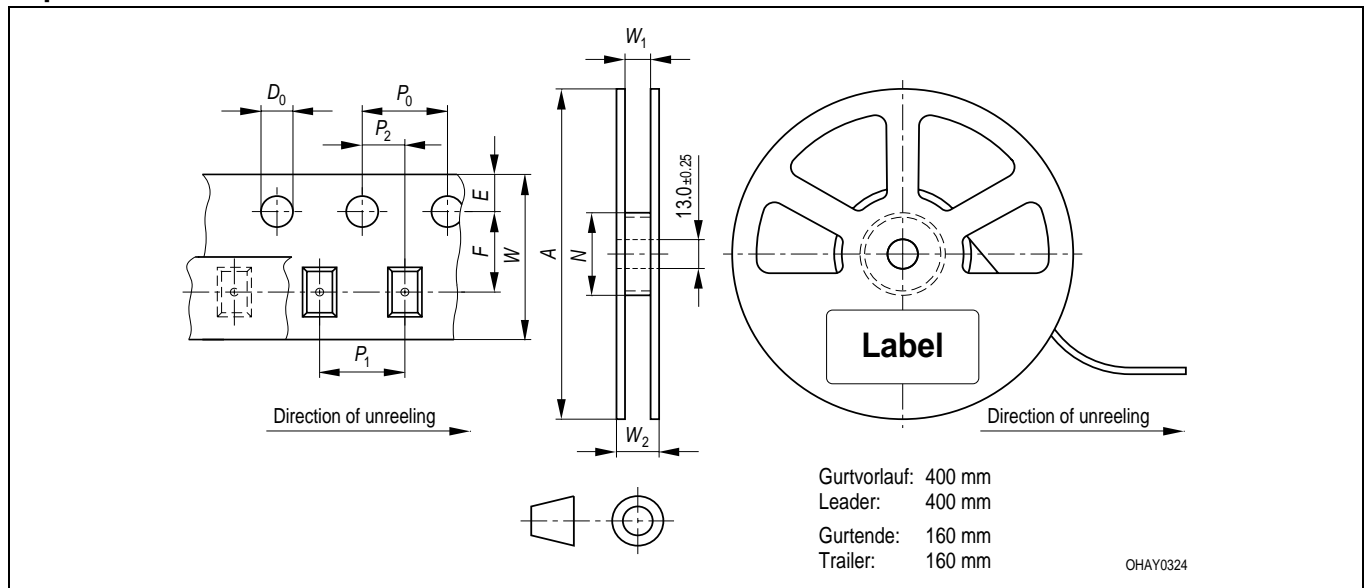
Additional TEXT
 R077 DEMY
 PACKVAR: Packing Type

(X) PROD NO: Product Code (Q)QTY: Product Quantity per Reel (G) GROUP: X - X - X
Bar Code

Forward Voltage Group
 Wavelength Group
 Brightness Group

OHA12043

Gurtverpackung
Tape and Reel



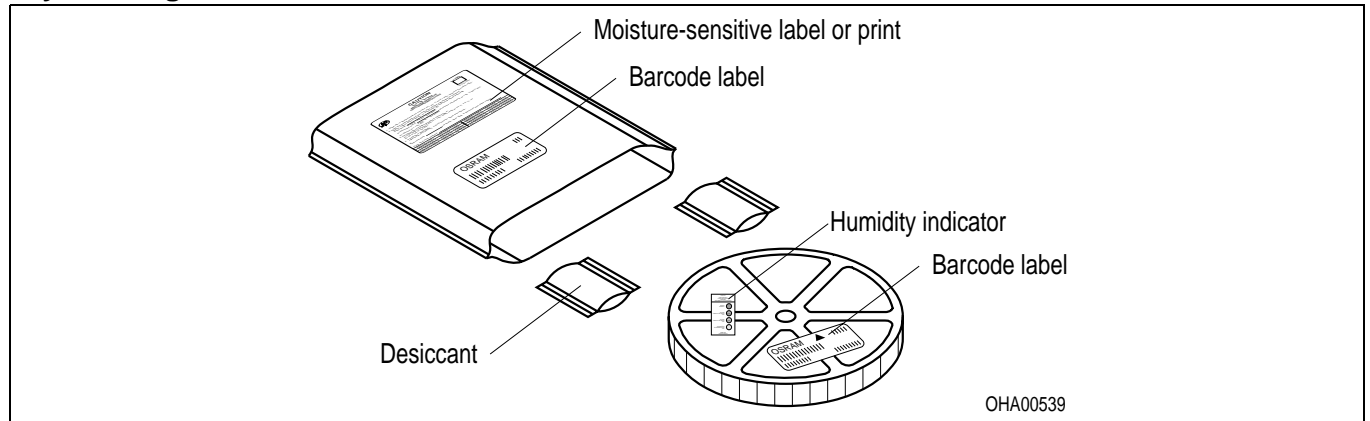
Tape dimensions in mm (inch)

| W | P ₀ | P ₁ | P ₂ | D ₀ | E | F |
|------------------------------------|----------------------------|----------------------------|----------------------------|------------------------------|-------------------------------|-------------------------------|
| 24 ^{+0.3} _{-0.1} | 4 ± 0.1 (0.157 ± 0.004) | 8 ± 0.1 (0.315 ± 0.004) | 2 ± 0.1 (0.079 ± 0.004) | 1.5 ± 0.1 (0.059 ± 0.004) | 1.75 ± 0.1 (0.069 ± 0.004) | 11.5 ± 0.1 (0.453 ± 0.004) |

Reel dimensions in mm (inch)

| A | W | N _{min} | W ₁ | W _{2 max} |
|---------|------------|------------------|--------------------------|--------------------|
| 180 (7) | 24 (0.945) | 60 (2.362) | 24.4 + 2 (0.961 + 0.079) | 30.4 (1.197) |

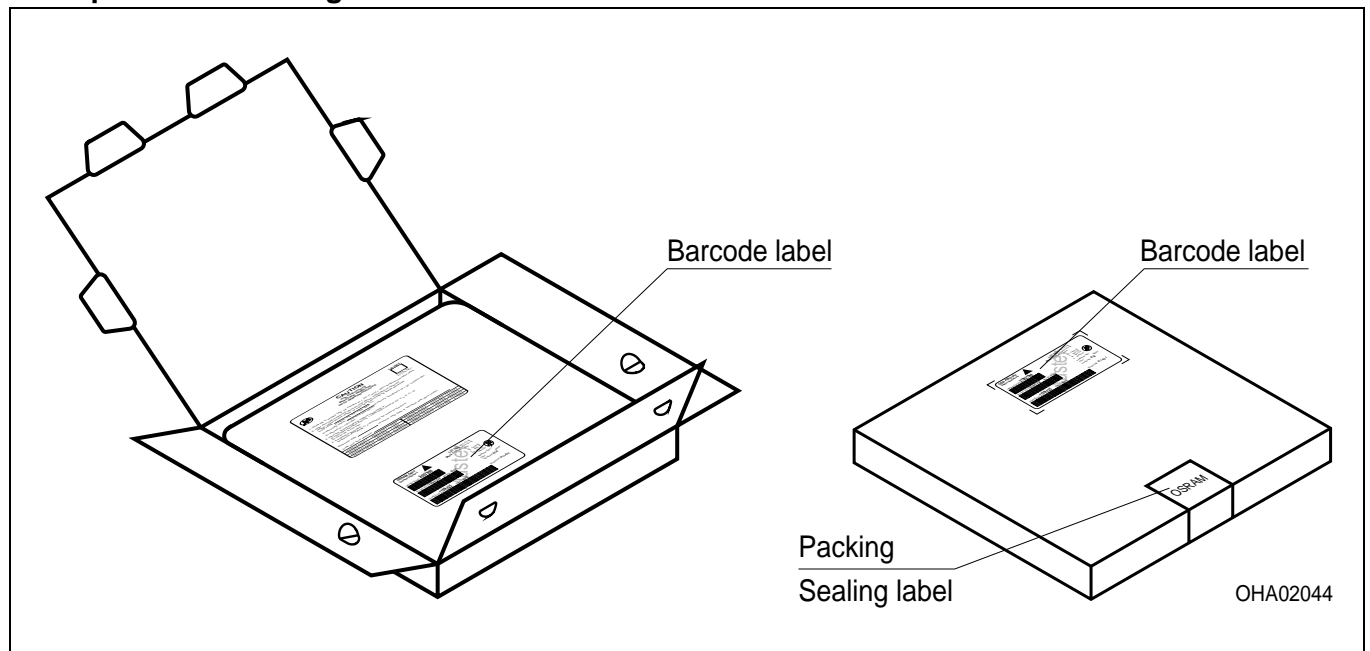
Trockenverpackung und Materialien
Dry Packing Process and Materials



Anm.: Feuchteempfindliche Produkte sind verpackt in einem Trockenbeutel zusammen mit einem Trockenmittel und einer Feuchteindikatorkarte
 Bezüglich Trockenverpackung finden Sie weitere Hinweise im Internet und in unserem Short Form Catalog im Kapitel "Gurtung und Verpackung" unter dem Punkt "Trockenverpackung". Hier sind Normenbezüge, unter anderem ein Auszug der JEDEC-Norm, enthalten.

Note: Moisture-sensitive product is packed in a dry bag containing desiccant and a humidity card.
 Regarding dry pack you will find further information in the internet and in the Short Form Catalog in chapter "Tape and Reel" under the topic "Dry Pack". Here you will also find the normative references like JEDEC.

Kartonverpackung und Materialien
Transportation Packing and Materials



Dimensions of transportation box in mm (inch)

| Breite / Width | Länge / length | Höhe / height |
|-------------------------|------------------------|------------------------|
| 195 ±5 (7,677 ±0,1968±) | 195 ±5 (7,677 ±0,1968) | 42 ±5 (1,6535 ±0,1968) |

Revision History: 2009-06-16

Previous Version: 2008-06-04

| Page | Subjects (major changes since last revision) | Date of change |
|-------|--|----------------|
| 1, 14 | OS-IN-2007-018 (Introduction of Jedec Level 2) | 2007-08-16 |
| all | OS-PCN-2008-003-A | 2008-02-01 |
| 4 | OS-IN-2009-020 (Forward voltage max reduced) | 2009-06-16 |
| | | |
| | | |
| | | |
| | | |
| | | |
| | | |
| | | |
| | | |

Wegen der Streichung der LED aus der IEC 60825-1 (2nd edition 2007-03) erfolgt die Bewertung der Augesicherheit nach dem Standard CIE S009/E:2002 ("photobiological safety of lamps and lamp systems") / IEC 62471 (1st edition 2006-07).

Im Risikogruppensystem dieser CIE- Norm erfüllen die in diesem Datenblatt angegebenen LED die "moderate risk"-Gruppe (die die sich im "sichtbaren" Spektralbereich auf eine Expositionsdauer von 0,25 s bezieht). Unter realen Umständen (für Expositionsdauer, Augenpupille, Betrachtungsabstand) geht damit von diesen Bauelementen keinerlei Augengefährdung aus.

Grundsätzlich sollte jedoch erwahnt werden, dass intensive Lichtquellen durch ihre Blendwirkung ein hohes sekundäres Gefahrenpotenzial besitzen. Wie nach dem Blick in andere helle Lichtquellen (z.B. Autoscheinwerfer) auch, können temporär eingeschränktes Sehvermögen und Nachbilder je nach Situation zu Irritationen, Belästigungen, Beeinträchtigungen oder sogar Unfällen führen.

Due to the cancellation of the LED from IEC 608251 (2nd edition 2007-03) , the evaluation of eye safety occurs according to the dual IEC/CIE logo standard CIE S009/E:2002 ("photobiological safety of lamps and lamp systems")- IEC 62471 (1st edition 2006-07).

Within the risk grouping system of this CIE standard, the LEDs specified in this data sheet fall into the "Imoderate risk" group (relating to devices in the visible spectrum with an exposure time of 0.25s). Under real circumstances (for exposure time, eye pupils, observation distance), it is assumed that no endangerment to the eye exists from these devices. As a matter of principle, however, it should be mentioned that intense light sources have a high secondary exposure potential due to their blinding effect. As is also true when viewing other bright light sources (e.g. headlights), temporary reduction in visual acuity and afterimages can occur, leading to irritation, annoyance, visual impairment, and even accidents, depending on the situation

Patent List**Patent No.**

US 6 066 861
US 6 277 301
US 6 245 259

Attention please!

The information describes the type of component and shall not be considered as assured characteristics. Terms of delivery and rights to change design reserved. Due to technical requirements components may contain dangerous substances. For information on the types in question please contact our Sales Organization. If printed or downloaded, please find the latest version in the Internet.

Packing

Please use the recycling operators known to you. We can also help you – get in touch with your nearest sales office. By agreement we will take packing material back, if it is sorted. You must bear the costs of transport. For packing material that is returned to us unsorted or which we are not obliged to accept, we shall have to invoice you for any costs incurred.

Components used in life-support devices or systems must be expressly authorized for such purpose! Critical components^{9) page 22} may only be used in life-support devices or systems^{10) page 22} with the express written approval of OSRAM OS.

Fußnoten:

- 1) Helligkeitswerte werden mit einer Stromeinprägedauer von 25 ms und einer Genauigkeit von $\pm 11\%$ ermittelt.
- 2) Wegen der besonderen Prozessbedingungen bei der Herstellung von LED können typische oder abgeleitete technische Parameter nur aufgrund statistischer Werte wiedergegeben werden. Diese stimmen nicht notwendigerweise mit den Werten jedes einzelnen Produktes überein, dessen Werte sich von typischen und abgeleiteten Werten oder typischen Kennlinien unterscheiden können. Falls erforderlich, z.B. aufgrund technischer Verbesserungen, werden diese typischen Werte ohne weitere Ankündigung geändert.
- 3) -
- 4) Montage auf PC-Board - Metallkernplatine, Fläche 950 mm², $\lambda = 1,3 \text{ W}/(\text{m}^2\text{K})$.
Für weitere Informationen siehe Applikationsschrift im Internet (www.osram-os.com)
- 5) Farbortgruppen werden mit einer Stromeinprägedauer von 25 ms und einer Genauigkeit von ± 0.01 ermittelt.
- 6) Spannungswerte werden mit einer Stromeinprägedauer von 1 ms und einer Genauigkeit von $\pm 0,1 \text{ V}$ ermittelt.
- 7) Im gestrichelten Bereich der Kennlinien muss mit erhöhten Helligkeitsunterschieden zwischen Leuchtdioden innerhalb einer Verpackungseinheit gerechnet werden
- 8) Maße werden wie folgt angegeben: mm (inch)
- 9) Ein kritisches Bauteil ist ein Bauteil, das in lebenserhaltenden Apparaten oder Systemen eingesetzt wird und dessen Defekt voraussichtlich zu einer Fehlfunktion dieses lebenserhaltenden Apparates oder Systems führen wird oder die Sicherheit oder Effektivität dieses Apparates oder Systems beeinträchtigt.
- 10) Lebenserhaltende Apparate oder Systeme sind für
(a) die Implantierung in den menschlichen Körper oder
(b) für die Lebenserhaltung bestimmt.
Falls sie versagen, kann davon ausgegangen werden, dass die Gesundheit und das Leben des Patienten in Gefahr ist.

Remarks:

- 1) Brightness groups are tested at a current pulse duration of 25 ms and a tolerance of $\pm 11\%$.
- 2) Due to the special conditions of the manufacturing processes of LED, the typical data or calculated correlations of technical parameters can only reflect statistical figures. These do not necessarily correspond to the actual parameters of each single product, which could differ from the typical data and calculated correlations or the typical characteristic line. If requested, e.g. because of technical improvements, these typ. data will be changed without any further notice.
- 3) -
- 4) Mounted on PC board - metall core PCB, area of 950 mm², $\lambda = 1.3 \text{ W}/(\text{m}^2\text{K})$.
For further Information please find the application note on our web site (www.osram-os.com)
- 5) Chromaticity coordinate groups are tested at a current pulse duration of 25 ms and a tolerance of ± 0.01 .
- 6) Forward voltages are tested at a current pulse duration of 1 ms and a tolerance of $\pm 0.1 \text{ V}$.
- 7) In the range where the line of the graph is broken, you must expect higher brightness differences between single LEDs within one packing unit.
- 8) Dimensions are specified as follows: mm (inch).
- 9) A critical component is a component used in a life-support device or system whose failure can reasonably be expected to cause the failure of that life-support device or system, or to affect its safety or the effectiveness of that device or system.
- 10) Life support devices or systems are intended
(a) to be implanted in the human body,
or
(b) to support and/or maintain and sustain human life.
If they fail, it is reasonable to assume that the health and the life of the user may be endangered.

Published by
OSRAM Opto Semiconductors GmbH
Leibnizstrasse 4, D-93055 Regensburg
www.osram-os.com
© All Rights Reserved.

EU RoHS and China RoHS compliant product



此产品符合欧盟 RoHS 指令的要求；
按照中国的相关法规和标准，不含有毒有害物质或元素。