

4

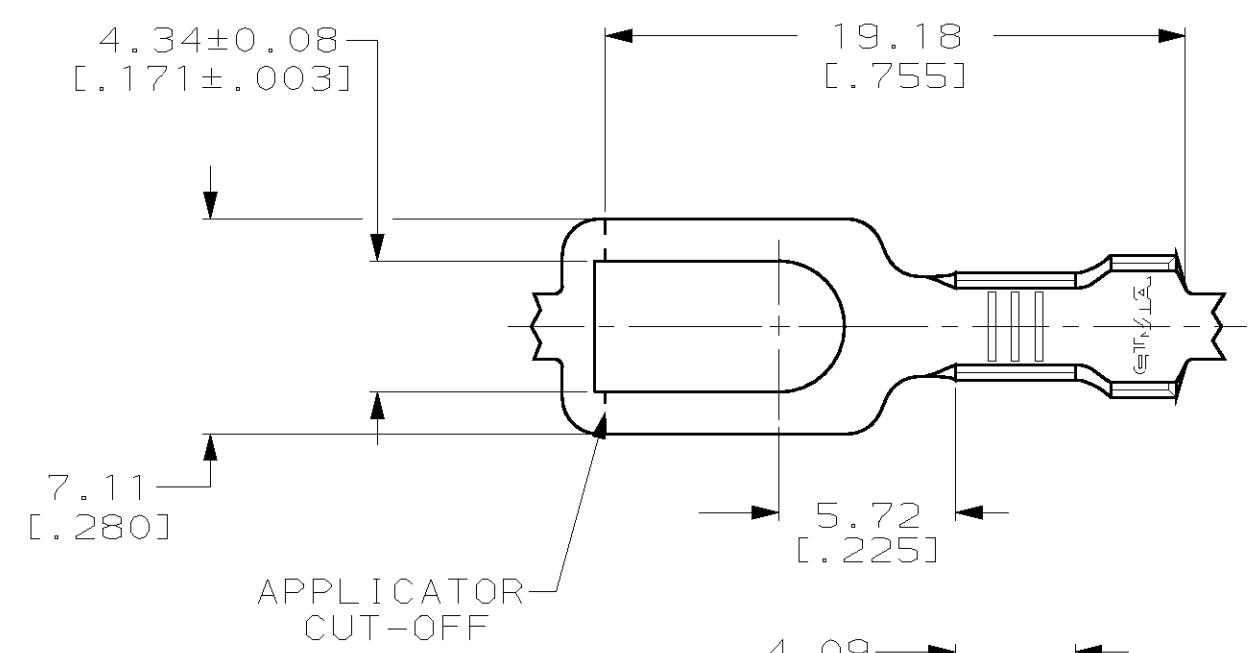
3

2

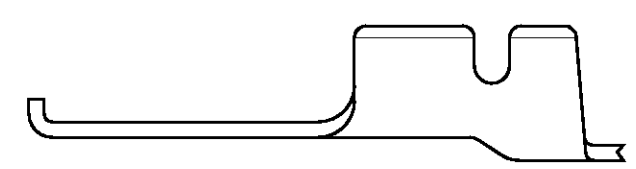
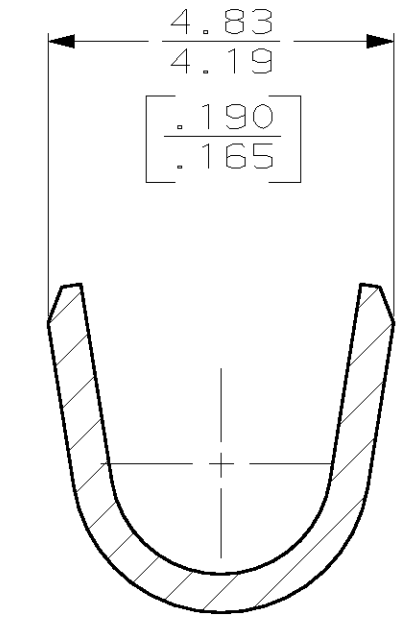
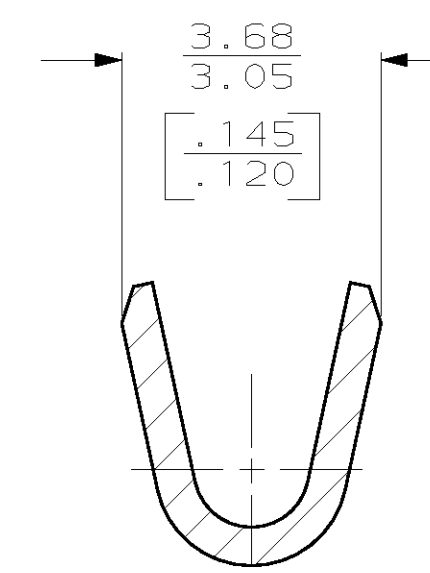
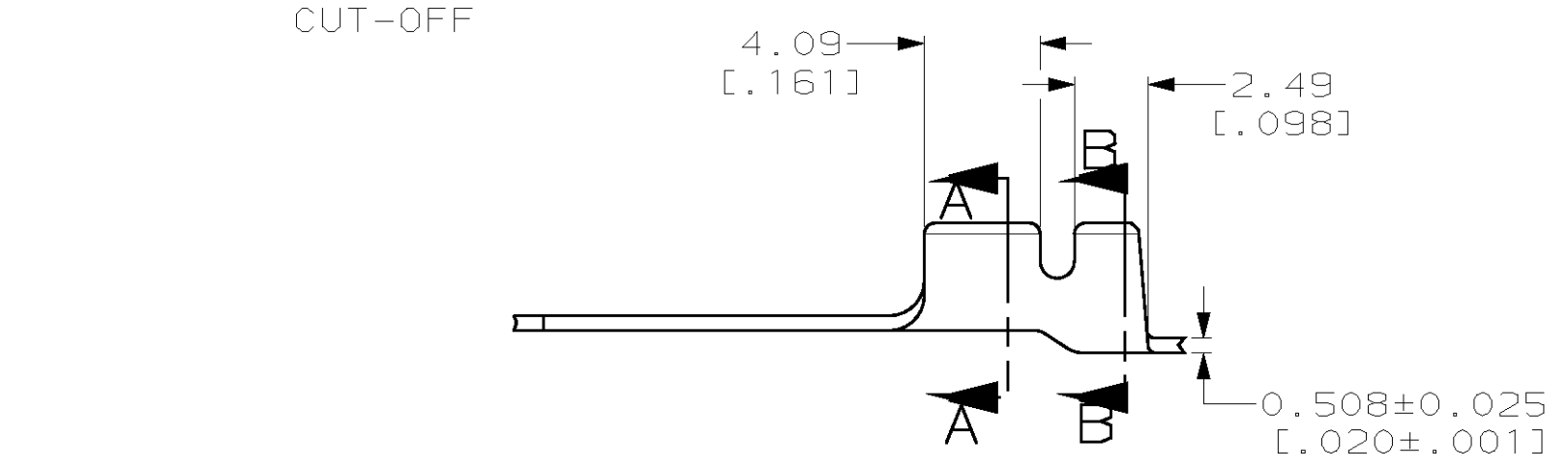
1

THIS DRAWING IS UNPUBLISHED. RELEASED FOR PUBLICATION ,19 .
 © COPYRIGHT 19 BY AMP INCORPORATED. ALL RIGHTS RESERVED.

LOC	DIST	REVISIONS			
P	LTR	DESCRIPTION	DATE	DWN	APVD
AF	50	E	REDRAWN PER 0L10-0470-97	16/DEC/97	PF GY



1 CONTINUOUS STRIP ON REEL



FLANGED IN APPLICATOR

2.54-3.56 [.100-.140]	DIA	20-16 AWG	60390-1
INSULATION RANGE		WIRE RANGE	PART NUMBER

THIS DRAWING IS A CONTROLLED DOCUMENT.		DWN PHILLIP M FORTNEY 16/DEC/97	AMP Incorporated Harrisburg, PA 17105-3608	
DIMENSIONS: mm [INCHES]		CHK JEFF R RUTH 16/DEC/97	NAME SPADE	
TOLERANCES UNLESS OTHERWISE SPECIFIED:		APVD GARY YETTER 16/DEC/97	RESTRICTED TO	
0 PLC ±- 1 PLC ±- 2 PLC ±0.25 [.010] 3 PLC ±- 4 PLC ±- ANGLES ±- MATERIAL 082 BRASS FINISH -		PRODUCT SPEC -	SIZE A3	CAGE CODE 00779
		APPLICATION SPEC -	DRAWING NO C- 60390	REV E
		WEIGHT -	SCALE 4:1	SHEET 1 OF 1
		CUSTOMER DRAWING		