

GENERAL DESCRIPTION

The M675 is a VCSO (Voltage Controlled SAW Oscillator) frequency source for low-jitter clock generation. An integrated SAW (surface acoustic wave) delay line implements the high-Q VCO (voltage controlled oscillator) function, which results in low output phase noise and very low jitter. The M675-01 is available in a range of center frequencies from 125 to 175 MHz. The M675-02 provides 500 to 700 MHz. Guaranteed minimum pull-range of ± 100 ppm meets GbE requirements. (It also fully satisfies ± 50 ppm minimum pull-range specification commonly required.) Industry-standard K_{vco} (VCO Gain) provides full replacement compatibility. The M675 is well suited for phase-locked loop implementations, clock and data recovery circuits, and other timing applications in telecom and optical fiber networking systems (e.g., SONET/SDH).

FEATURES

- ◆ Integrated SAW device
- ◆ M675-01 output frequencies from 125 to 175 MHz
M675-02 output frequencies from 500 to 700 MHz
(Specify center frequency at time of order)
- ◆ Industry-standard K_{vco} for full compatibility
- ◆ Low phase jitter 0.2ps rms typical for the M675-02
(50kHz to 80MHz)
- ◆ Differential 3.3V LVPECL output
- ◆ Single 3.3V power supply
- ◆ Small 5 x 7.5mm SMT (surface mount) package

BLOCK DIAGRAM

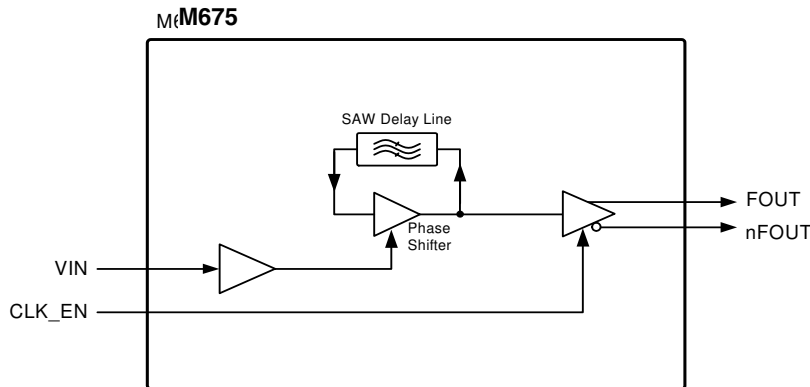


Figure 2: Block Diagram

PIN ASSIGNMENT (5 x 7.5mm SMT)

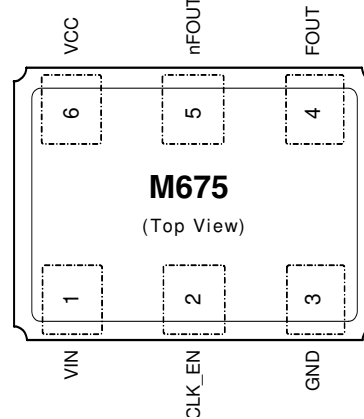


Figure 1: Pin Assignment

Sample of Available Output Frequencies

VCSO Center Frequencies ¹ (MHz)		Applications
M675-01	M675-02	
155.5200	622.0800	SONET/SDH
156.2500	625.0000	Gigabit Ethernet
161.1328	644.5313	Gigabit Ethernet FEC
167.3316	669.3266	SONET/SDH FEC

Table 1: Sample of Available Output Frequencies

Note 1: Specify VCSO center frequencies at time of order

PIN DESCRIPTIONS

Number	Name	I/O	Configuration	Description
1	VIN	Input		Frequency control input.
2	CLK_EN	Input	Internal pull-up resistor ¹	Clock enable: Logic 1 enables normal operation. Logic 0 stops the output clock; nFOUT is held high, FOUT is held low.
3	GND	Ground		Power supply ground connection.
4	FOUT	Output	No internal terminator	Clock output pair. Differential LVPECL.
5	nFOUT			
6	VCC	Power		Power supply connection, connect to +3.3V.

Table 2: Pin Descriptions

Note 1: See "Clock Enable Pull-up" in Table 5 (DC Characteristics for M675-01 on pg. 3) and Table 7 (DC Characteristics for M675-02 on pg. 4).

ABSOLUTE MAXIMUM RATINGS¹

Symbol	Parameter	Rating	Unit
V_I	Inputs	-0.5 to $V_{CC} + 0.5$	V
V_O	Outputs	-0.5 to $V_{CC} + 0.5$	V
V_{CC}	Power Supply Voltage	4.6	V
T_S	Storage Temperature	-55 to +125	°C

Table 3: Absolute Maximum Ratings

Note 1: Stresses beyond those listed under Absolute Maximum Ratings may cause permanent damage to the device. These ratings are stress specifications only. Functional operation of product at these conditions or any conditions beyond those listed in Recommended Conditions of Operation, DC Characteristics, or AC Characteristics is not implied. Exposure to absolute maximum rating conditions for extended periods may affect product reliability.

RECOMMENDED CONDITIONS OF OPERATION

Symbol	Parameter	Min	Typ	Max	Unit
V_{CC}	Positive Supply Voltage	2.97	3.3	3.63	V
T_A	Ambient Operating Temperature	-40	25	+85	°C

Table 4: Recommended Conditions of Operation

ELECTRICAL SPECIFICATIONS FOR M675-01**DC Characteristics for M675-01**

Unless stated otherwise, $V_{CC} = 3.3 \text{ Volts} \pm 10\%$, $T_A = 0 \text{ to } 85^\circ\text{C}$, $V_{CSO} \text{ Freq.} = 155.52 \text{ MHz}$, Outputs terminated into 180Ω to ground

	Symbol	Parameter	Pin	Min	Typ	Max	Unit
Power Supply	V_{CC}	Positive Supply Voltage	VCC	2.97	3.3	3.63	V
	I_{CC}	Power Supply Current			85	125	mA
Control Voltage	V_{IN}	Input Control Voltage Range	VIN	0		3.3	V
		V_{IN} Input Impedence			100		k Ω
Clock Enable Pull-up ¹	V_{IH}	Input High Voltage		2		$V_{CC} + 0.3$	V
	V_{IL}	Input Low Voltage		-0.3		0.8	V
	I_{IH}	Input High Current	CLK_EN			5	μA
	I_{IL}	Input Low Current		-150			μA
	R_{pullup}	Internal Pull-up Resistor			51		k Ω
Differential Outputs	V_{OH}	Output High Voltage		$V_{CC} - 0.98$		$V_{CC} - 0.75$	V
	V_{OL}	Output Low Voltage		$V_{CC} - 1.95$		$V_{CC} - 1.63$	V
	V_{P-P}	Peak to Peak Output Voltage ²	FOUT, nFOUT	0.450	0.625	0.85	V_{P-P}
	I_{OUT}	Output Current				20	mA

Note 1: Internally pulled up to Logic 1 (normal operation) if left unselected.

Note 2: Single-ended measurement. See Figure 3, Output Rise and Fall Time, on pg. 5.

Table 5: DC Characteristics for M675-01

AC Characteristics for M675-01

Unless stated otherwise, $V_{CC} = 3.3 \text{ Volts} \pm 10\%$, $T_A = 0 \text{ to } 85^\circ\text{C}$, $V_{CSO} \text{ Freq.} = 155.52 \text{ MHz}$, Outputs terminated into 180Ω to ground

	Symbol	Parameter	Min	Typ	Max	Unit	Notes
Control Voltage	V_{IN}	Modulation Bandwidth		500		kHz	
Output	F_{OUT}	Output Center Frequency Range M675-01	125		175	MHz	
	APR	Absolute (Guaranteed) Pull-Range ¹	± 100			ppm	
	f_{STAB}	Frequency Stability		100		ppm p-p	At any given V_{IN}
	L_{IN}	Tuning Linearity		6		%	$V_{IN} = 0.3 \text{ to } 3.0\text{V}$ Best fit straight line
	K_{VCO}	VCO Gain		400		ppm/V	$V_{IN} = 0.3 \text{ to } 3.0\text{V}$
		Non-harmonic Spurious		-50	-77		dBc
	Φ_n	SSB (single sideband) Phase Noise, offset from carrier	100Hz Offset		-52		dBc/Hz
			1kHz Offset		-80		dBc/Hz
			10kHz Offset		-112		dBc/Hz
			100kHz Offset		-136		dBc/Hz
			1MHz Offset		-146		dBc/Hz
	J(t)	Jitter (rms)	12kHz to 20MHz		0.36		ps rms
			50kHz to 80MHz		0.50		ps rms
odc	Output Duty Cycle ²		45		55	%	
t_R	Output Rise Time ² for FOUT, nFOUT			275	425	ps	20% to 80%
t_F	Output Fall Time ² for FOUT, nFOUT			275	425	ps	20% to 80%

Note 1: Also fully meets ± 50 ppm minimum pull-range specification that is commonly required.

Note 2: See Parameter Measurement Information on pg. 5.

Table 6: AC Characteristics for M675-01

ELECTRICAL SPECIFICATIONS FOR M675-02**DC Characteristics for M675-02**

Unless stated otherwise, $V_{CC} = 3.3 \text{ Volts} \pm 10\%$, $T_A = 0 \text{ to } 85^\circ\text{C}$, VCSO Freq. = 622.08 MHz, Outputs terminated into 180Ω to ground

	Symbol	Parameter	Pin	Min	Typ	Max	Unit
Power Supply	V_{CC}	Positive Supply Voltage	VCC	2.97	3.3	3.63	V
	I_{CC}	Power Supply Current			85	125	mA
Control Voltage	V_{IN}	Input Control Voltage Range	VIN	0		3.3	V
		V_{IN} Input Impedance			100		k Ω
Clock Enable Pull-up ¹	V_{IH}	Input High Voltage		2		$V_{CC} + 0.3$	V
	V_{IL}	Input Low Voltage		-0.3		0.8	V
	I_{IH}	Input High Current	CLK_EN			5	μA
	I_{IL}	Input Low Current		-150			μA
	R_{pullup}	Internal Pull-up Resistor			51		k Ω
Differential Outputs	V_{OH}	Output High Voltage		$V_{CC} - 0.98$		$V_{CC} - 0.75$	V
	V_{OL}	Output Low Voltage		$V_{CC} - 1.95$		$V_{CC} - 1.63$	V
	V_{P-P}	Peak to Peak Output Voltage ²	FOUT, nFOUT	0.450	0.625	0.85	V_{P-P}
	I_{OUT}	Output Current				20	mA

Note 1: Internally pulled up to Logic 1 (normal operation) if left unselected.

Note 2: Single-ended measurement. See Figure 3, Output Rise and Fall Time, on pg. 5.

Table 7: DC Characteristics for M675-02

AC Characteristics for M675-02

Unless stated otherwise, $V_{CC} = 3.3 \text{ Volts} \pm 10\%$, $T_A = 0 \text{ to } 85^\circ\text{C}$, VCSO Freq. = 622.08 MHz, Outputs terminated into 180Ω to ground

	Symbol	Parameter	Min	Typ	Max	Unit	Notes
Control Voltage	V_{IN}	Modulation Bandwidth		500		kHz	
Output	F_{OUT}	Output Center Frequency Range M675-02	500		700	MHz	
	APR	Absolute (Guaranteed) Pull-Range ¹	± 100			ppm	
	f_{STAB}	Frequency Stability		100		ppm p-p	At any given V_{IN}
	L_{IN}	Tuning Linearity		6		%	$V_{IN} = 0.3 \text{ to } 3.0\text{V}$ Best fit straight line
	K_{VCO}	VCO Gain		400		ppm/V	$V_{IN} = 0.3 \text{ to } 3.0\text{V}$
		Non-harmonic Spurious		-50	-77		dBc
	Φ_n	SSB (single sideband) Phase Noise, offset from carrier	100Hz Offset		-48		dBc/Hz
			1kHz Offset		-75		dBc/Hz
			10kHz Offset		-99		dBc/Hz
			100kHz Offset		-124		dBc/Hz
			1MHz Offset		-142		dBc/Hz
	J(t)	Jitter (rms)	12kHz to 20MHz		0.30		ps rms
			50kHz to 80MHz		0.18		ps rms
	odc	Output Duty Cycle ²		45		55	%
t_R	Output Rise Time ² for FOUT, nFOUT			275	400	ps	20% to 80%
t_F	Output Fall Time ² for FOUT, nFOUT			275	400	ps	20% to 80%

Note 1: Also fully meets ± 50 ppm minimum pull-range specification that is commonly required.

Note 2: See Parameter Measurement Information on pg. 5.

Table 8: AC Characteristics for M675-02

PARAMETER MEASUREMENT INFORMATION

Output Rise and Fall Time

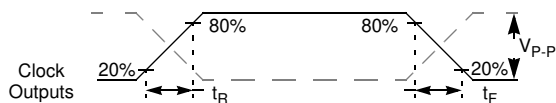


Figure 3: Output Rise and Fall Time

Output Duty Cycle

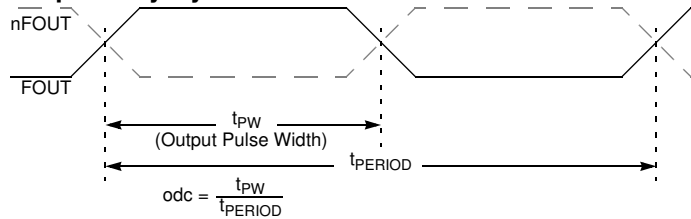
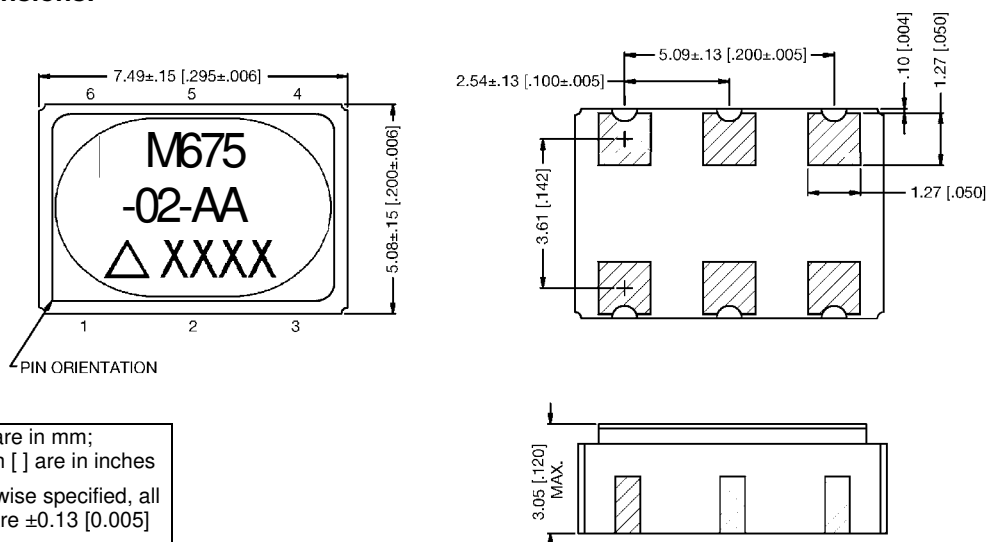


Figure 4: Output Duty Cycle

DEVICE PACKAGE - 5 x 7.5mm SMT (Surface Mount) Package

Mechanical Dimensions:



Dimensions are in mm;
dimensions in [] are in inches
Unless otherwise specified, all
dimensions are ±0.13 [0.005]

Figure 5: Device Package - 5 x 7.5mm SMT (Surface Mount) Package

ORDERING INFORMATION

Part Numbering Scheme

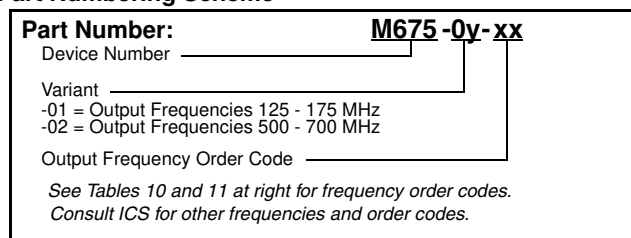


Figure 6: Part Numbering Scheme

Example Order Numbers

For Output Frequencies	Order Part # M675-01-Bx	For Output Frequencies	Order Part # M675-02-Ax
155.5200	M675-01-BA	622.0800	M675-02-AA
156.2500	M675-01-BB	625.0000	M675-02-AB
161.1328	M675-01-BD	644.5313	M675-02-AD
167.3316	M675-01-BH	669.3266	M675-02-AH

Table 9: Example Order Numbers

M675-01 Standard Output Frequencies & Order Codes

125.0000 DA	168.0407 BJ
155.5200 BA	172.6423 BK
156.2500 BB	173.3708 BL
156.8324 BC	164.3555 BM
161.1328 BD	153.6000 BO
166.6286 BE	118.7500 BP
167.2820 BF	176.8382 BQ
167.3280 BG	156.1762 BR
167.3316 BH	174.1537 BU
167.7097 BI	174.7031 BV

Table 10: M675-01 Standard Output Frequencies & Order Codes

M675-02 Standard Output Frequencies & Order Codes

500.0000 CA	672.1627 AJ
622.0800 AA	690.5692 AK
625.0000 AB	693.4830 AL
627.3296 AC	657.4219 AM
644.5313 AD	614.4000 AO
666.5143 AE	475.0000 AP
669.1281 AF	707.3527 AQ
669.3120 AG	624.7048 AR
669.3266 AH	696.6149 AU
670.8386 AI	698.8123 AV

Table 11: M675-02 Standard Output Frequencies & Order Codes

Consult IDT for the availability of other frequencies

IMPORTANT NOTICE AND DISCLAIMER

RENESAS ELECTRONICS CORPORATION AND ITS SUBSIDIARIES (“RENESAS”) PROVIDES TECHNICAL SPECIFICATIONS AND RELIABILITY DATA (INCLUDING DATASHEETS), DESIGN RESOURCES (INCLUDING REFERENCE DESIGNS), APPLICATION OR OTHER DESIGN ADVICE, WEB TOOLS, SAFETY INFORMATION, AND OTHER RESOURCES “AS IS” AND WITH ALL FAULTS, AND DISCLAIMS ALL WARRANTIES, EXPRESS OR IMPLIED, INCLUDING, WITHOUT LIMITATION, ANY IMPLIED WARRANTIES OF MERCHANTABILITY, FITNESS FOR A PARTICULAR PURPOSE, OR NON-INFRINGEMENT OF THIRD PARTY INTELLECTUAL PROPERTY RIGHTS.

These resources are intended for developers skilled in the art designing with Renesas products. You are solely responsible for (1) selecting the appropriate products for your application, (2) designing, validating, and testing your application, and (3) ensuring your application meets applicable standards, and any other safety, security, or other requirements. These resources are subject to change without notice. Renesas grants you permission to use these resources only for development of an application that uses Renesas products. Other reproduction or use of these resources is strictly prohibited. No license is granted to any other Renesas intellectual property or to any third party intellectual property. Renesas disclaims responsibility for, and you will fully indemnify Renesas and its representatives against, any claims, damages, costs, losses, or liabilities arising out of your use of these resources. Renesas' products are provided only subject to Renesas' Terms and Conditions of Sale or other applicable terms agreed to in writing. No use of any Renesas resources expands or otherwise alters any applicable warranties or warranty disclaimers for these products.

(Disclaimer Rev.1.0 Mar 2020)

Corporate Headquarters

TOYOSU FORESIA, 3-2-24 Toyosu,
Koto-ku, Tokyo 135-0061, Japan
www.renesas.com

Contact Information

For further information on a product, technology, the most up-to-date version of a document, or your nearest sales office, please visit:
www.renesas.com/contact/

Trademarks

Renesas and the Renesas logo are trademarks of Renesas Electronics Corporation. All trademarks and registered trademarks are the property of their respective owners.