



50ohm BNC plug to BNC jack DC Block inner from 30 MHz to 1000 MHz rated 500 Volt in Brass

DC Blocks Technical Data Sheet

PE8274

Features

- Inner DC Blocks with Brass Body
- BNC connectorized configuration
- Operates from 30 MHz to 1000 MHz
- 50 Ohm Impedance

Applications

- Test & Measurement
- Ground Loop Elimination
- Signal to Noise Ratio (SNR) Improvement

Description

Pasternack's PE8274 is an inner DC block with BNC connectors. It has a blocking capacitor on the inner conductor and operates from 30 MHz to 1 GHz. Our BNC DC block offers good insertion loss of 0.2 dB and has a maximum operating voltage of 500 Vdc. DC blocks are commonly used to filter out unwanted DC signals, while allowing AC drive signals to pass through. They can help improve signal to noise ratio (SNR), eliminate ground loops, or provide isolation in your test setup. All of Pasternack's DC blocks are in stock and available to ship same-day.

Electrical Specifications

Description	Minimum	Typical	Maximum	Units
Frequency Range	30		1,000	MHz
Impedance		50		Ohms
VSWR			1.2:1	
Insertion Loss			0.2	dB
Operating Voltage (DC)			500	Volts

Mechanical Specifications

Size

Length	2.09 in [53.09 mm]
Width	0.571 in [14.5 mm]
Height	0.571 in [14.5 mm]
Weight	0.05 lbs [22.68 g]

Housing Material and Plating: Brass, Tri-Metal

Configuration

Package Type: Connectorized

Description	Connector 1	Connector 2
Type	BNC Male	BNC Female
Inner Conductor Material and Plating	Brass, Gold	Bronze, Gold

Click the following link (or enter part number in "SEARCH" on website) to obtain additional part information including price, inventory and certifications: [50ohm BNC plug to BNC jack DC Block inner from 30 MHz to 1000 MHz rated 500 Volt in Brass PE8274](#)



50ohm BNC plug to BNC jack DC Block inner from
30 MHz to 1000 MHz rated 500 Volt in Brass

DC Blocks Technical Data Sheet

PE8274

Compliance Certifications (see [product page](#) for current document)

Plotted and Other Data

Notes:

50ohm BNC plug to BNC jack DC Block inner from 30 MHz to 1000 MHz rated 500 Volt in Brass from Pasternack Enterprises has same day shipment for domestic and International orders. Our RF, microwave and millimeter wave products maintain a 99.4% availability and are part of the broadest selection in the industry.

Click the following link (or enter part number in "SEARCH" on website) to obtain additional part information including price, inventory and certifications: [50ohm BNC plug to BNC jack DC Block inner from 30 MHz to 1000 MHz rated 500 Volt in Brass PE8274](#)

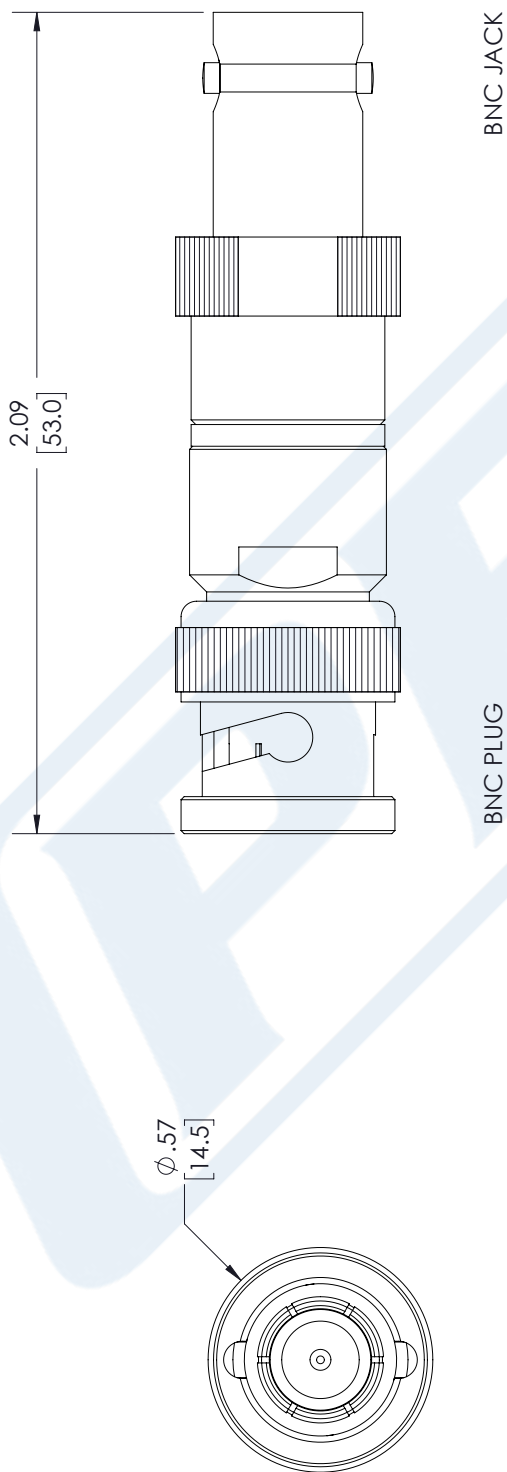
URL: <https://www.pasternack.com/50-ohm-bnc-dc-block-30-1000-mhz-pe8274-p.aspx>

The information contained in this document is accurate to the best of our knowledge and representative of the part described herein. It may be necessary to make modifications to the part and/or the documentation of the part, in order to implement improvements. Pasternack reserves the right to make such changes as required. Unless otherwise stated, all specifications are nominal. Pasternack does not make any representation or warranty regarding the suitability of the part described herein for any particular purpose, and Pasternack does not assume any liability arising out of the use of any part or documentation.

PE8274 CAD Drawing

50ohm BNC plug to BNC jack DC Block inner from
30 MHz to 1000 MHz rated 500 Volt in Brass

REVISIONS			
REV.	DESCRIPTION	DATE	APPROVED
A	INITIAL RELEASE	1/25/22	JNAJERA



<p>UNLESS OTHERWISE SPECIFIED LEADING DIMENSIONS ARE INCHES DIMENSIONS IN [] ARE MILLIMETERS</p> <p>TOLERANCES:</p> <table border="0"> <tr> <td>.X = ±.2</td> <td>[.08]</td> <td>FRACTIONS</td> <td></td> </tr> <tr> <td>.XX = ±.02</td> <td>[.51]</td> <td></td> <td>±.1/32</td> </tr> <tr> <td>.XXX = ±.005</td> <td>[.13]</td> <td>ANGLES ± 1°</td> <td></td> </tr> </table> <p>CABLE LENGTH (L) TOLERANCES:</p> <table border="0"> <tr> <td>L ≤ 12</td> <td>[305]</td> <td>= +1 [25] / -0</td> </tr> <tr> <td>12 [305] < L ≤ 60</td> <td>[1524]</td> <td>= +2 [51] / -0</td> </tr> <tr> <td>60 [1524] < L ≤ 120</td> <td>[3048]</td> <td>= +4 [102] / -0</td> </tr> <tr> <td>120 [3048] < L ≤ 300</td> <td>[7620]</td> <td>= +6 [152] / -0</td> </tr> <tr> <td>300 [7620] < L</td> <td></td> <td>= +5%L / -0</td> </tr> </table> <p>ALL DIMENSIONS SHOWN ARE FOR REFERENCE ONLY.</p>	.X = ±.2	[.08]	FRACTIONS		.XX = ±.02	[.51]		±.1/32	.XXX = ±.005	[.13]	ANGLES ± 1°		L ≤ 12	[305]	= +1 [25] / -0	12 [305] < L ≤ 60	[1524]	= +2 [51] / -0	60 [1524] < L ≤ 120	[3048]	= +4 [102] / -0	120 [3048] < L ≤ 300	[7620]	= +6 [152] / -0	300 [7620] < L		= +5%L / -0	<p>PE PASTERNAK an INFINITE brand</p> <p>Pasternack Enterprises, Inc. P.O. Box 16759, Irvine, CA 92623. Phone: 1.949.261.1920 1.866.727.8376 Fax: 1.949.261.7451 Website: www.pasternack.com E-mail: sales@pasternack.com</p>	<p>THIRD-ANGLE PROJECTION</p> <p>THE INFORMATION AND DESIGN IN THIS DOCUMENT IS THE PROPERTY OF PASTERNAK CORPORATION ALL RIGHTS RESERVED.</p> <p>SHEET 1 OF 1</p> <p>SCALE N/A</p>
	.X = ±.2	[.08]	FRACTIONS																										
.XX = ±.02	[.51]		±.1/32																										
.XXX = ±.005	[.13]	ANGLES ± 1°																											
L ≤ 12	[305]	= +1 [25] / -0																											
12 [305] < L ≤ 60	[1524]	= +2 [51] / -0																											
60 [1524] < L ≤ 120	[3048]	= +4 [102] / -0																											
120 [3048] < L ≤ 300	[7620]	= +6 [152] / -0																											
300 [7620] < L		= +5%L / -0																											
<p>SIZE A</p> <p>CAGE CODE 53919</p> <p>DRAWN BY HBAKKE</p> <p>ITEM NO. PE8274</p> <p>REV A</p>																													

THESE COMMODITIES, TECHNOLOGY OR SOFTWARE WERE EXPORTED FROM THE UNITED STATES IN ACCORDANCE WITH THE EXPORT ADMINISTRATION REGULATIONS. DIVERSION CONTRARY TO U.S. LAW PROHIBITED.