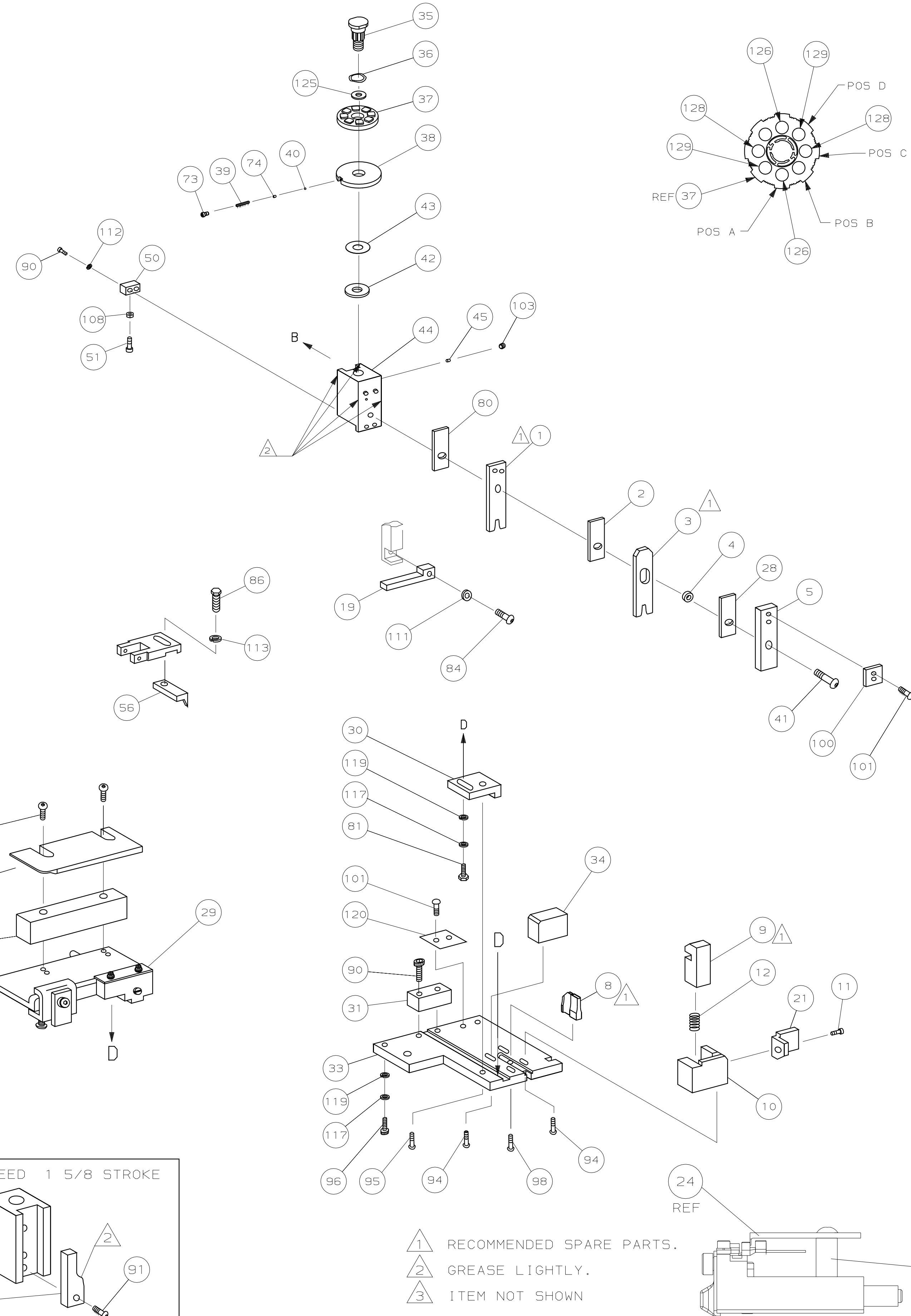


PART NUMBER	REV	FIRST USED
567987-1	A	854040-3

TERMINAL NAME: TERMINAL, MICRO-FIT 3.0					
TYCO PN	MOLEX PN	VISIBLE PAD LTR	CRIMP DATA (MOLEX TERM & MFR SPEC)		
			CRIMP HEIGHT	WIRE SIZE	
286975	43030-000X	A	.030 ±.002 [0.76 ±0.05mm]	26	
286976	43031-000X	B	.029 ±.002 [0.74 ±0.05mm]	28	
		C	.028 ±.002 [0.71 ±0.05mm]	30	
		D	NOT	USED	
			CRIMP	SIZE	TYPE
			WIRE	.042 [1.07mm]	F
			INSUL	.070 [1.78mm]	F
					.050 MAX
WIRE STRIP LENGTH	TERM APPL SPEC	FEED	APPL INSTRUCTION	SET UP GAGE	LAYOUT
.094-.109	NONE	.250	SEE CUSTOMER MANUAL	NONE	-

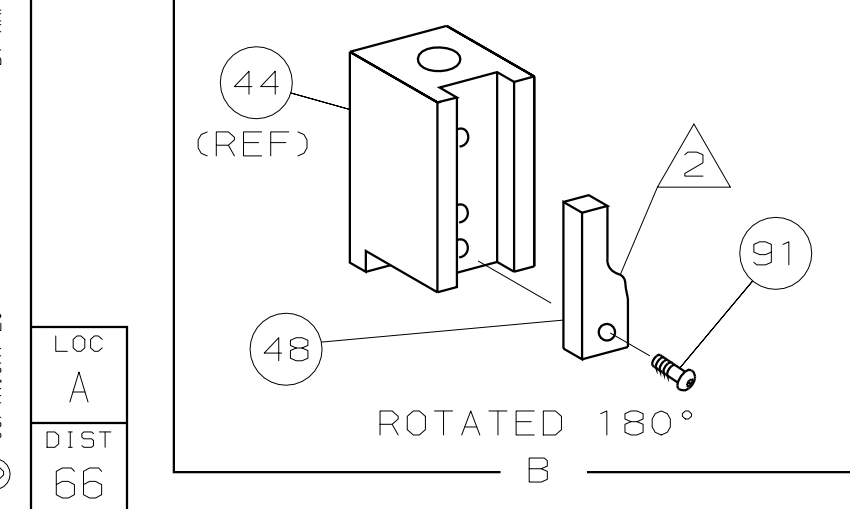
SIM TO HDM 1385711

THIS DRAWING IS A CONTROLLED DOCUMENT.



QTY	REV	U/M	DWG SIZE	PART NO	DESCRIPTION	ITEM NO
2	-	C		5-354779-2	PIN, WIRE DISC (.3250)D	129
2	-	C		5-354779-0	PIN, WIRE DISC (.3240)C	128
						127
2	-	C		5-354779-5	PIN, WIRE DISC (.3265)A	126
1	-	A		986950-1	WASHER, FLAT PRECISION	125
1	-	A		217238-3	GENERAL INSTRUCTION PACKAGE	124
						123
						122
						121
1	-	B		690701-2	PLATE, SERIAL NO.	120
2	-	A		21899-2	WASHER, FLAT (#10)S G ADJ BLK	119
						118
2	-	A		21024-5	WASHER, LOCK (#10)ADJ BLOCK	117
						116
						115
						114
REF	-	A		21024-4	WASHER, LOCK (#8)FEED FINGER	113
2	-	A		21024-4	WASHER, LOCK (#8)DEP-HOLD	112
REF	-	A		21024-4	WASHER, LOCK (#8)STRIPPER	111
						110
						109
1	-	A		21018-5	NUT, HEX (#6)HOLD DOWN	108
						107
						106
						105
1	-	A		21009-2	SCR, SKT SET (1/4-20x.25 LW)RAM	103
						102
4	-	A		21017-2	SCR, DRIVE (#2x.19)ID PLATE	101
1	-	B		819347-1	PLATE, IDENTIFICATION	100
						99
1	-	A		22733-8	SCR, BHC (8-32x.38 LW)ANVIL	98
						97
1	-	A		3-21000-8	SCR, SHC (10-32x.88)MOUNTING	96
1	-	A		2-21002-7	SCR, BHC (10-32x.50)SG ADJ BLK	95
4	-	A		2-21002-2	SCR, BHC (8-32x.50)SHEAR-TERM SUP	94
2	-	A		2-21002-4	SCR, BHC (8-32x.75)R STP GDE	93
						92
1	-	A		1-21002-7	SCR, SHC (6-32x.50)CAM	91
4	-	A		2-21000-7	SCR, SHC (8-32x.50)SCR BLK	90
						89
						88
						87
REF	-	A		2-22603-0	SCR, HEX HD (8-32x.31)FEED FINGER	86
						85
REF	-	A		22733-9	SCR, BHC (8-32x.50 SL)STRIPPER	84
						83
						82
1	-	A		3-22603-1	SCR, HEX (10-32x.38)SG ADJ BL	81
1	-	C		455888-3	SPACER, CRIMPER	80
						79
						78
2	-	B		463310-9	BLADE, STRIPPING (#28)	77
						76
						75
1	-	A		690603-1	SPRING, ASSIST	74
1	-	A		23030-1	SCR, SKT CAP (6-32x.25)CP DSC	73
						72
						71

QTY	REV	U/M	DWG SIZE	PART NO	DESCRIPTION	ITEM NO
						70
						69
						68
						67
						66
						65
						64
						63
						62
						61
						60
						59
						58
						57
						56
REF	-	B		694433-8	PAWL, FEED	55
						54
						53
						52
1	-	A		811242-2	BUMPER, HOLDDOWN	51
1	-	A		690753-1	SPACER, TONKER	50
						49
1	-	A		690602-6	CAM, PRE-FEED 1.62 STROKE	48
						47
						46
1	-	A		690191-1	PLUG, NYLON	45
1	-	C		455673-1	RAM	44
1	-	A		690125-1	WASHER, LAMINATED	43
1	-	A		690124-9	WASHER, RAM	42
1	-	A		7-21002-9	BOLT, CRIMPER (5/16x1.00)	41
1	-	A		23241-6	BALL, STEEL	40
1	-	A		690170-1	SPRING, COMPRESSION	39
1	-	C		690142-5	DISC, INSULATION	38
1	-	D		354777-1	WIRE DISC, PLASTIC	37
1	-	A		22480-5	WASHER, SPRING	36
1	-	B		690212-1	POST, RAM	35
1	-	B		690786-3	SUPPORT, TERMINAL	34
1	-	C		462544-1	PLATE, BASE SPECIAL	33
						32
1	-	B		462543-1	BLOCK, SCREW SPECIAL	31
1	-	B		455689-1	BLOCK, STRIP GUIDE ADJ	30
1	-	C		1633091-1	PLATE ASS'Y, STRIP GUIDE	29
1	-	C		1-455888-0	SPACER, FRONT SHEAR DEP	28
						27
						26
						25
1	-	D		1320928-1	GUIDE, STRIP (REAR)	24
1	-	A		1320908-9	SPACER, STRIP GUIDE	23
						22
1	-	A		463756-1	GUIDE, SCRAP	21
						20
REF	-	C		462615-1	STRIPPER	19
						18
						17
						16
						15
						14
						13
1	-	A		3-22280-3	SPRING, SHEAR	12
1	-	B		1-690461-6	STOP, SHEAR (FRONT)	11
1	-	B		462548-1	HOLDER, SHEAR (FRONT) SP	10
1	-	B		462547-1	SHEAR, FLOAT (FRONT) SP	9
1	-	C		1633105-1	ANVIL	8
						7
						6
1	-	A		462838-8	DEPRESSOR, SHEAR (FRONT) SP	5
1	-	B		2-238011-8	SPACER, BLOCK CRIMPER	4
1	-	C		4-1213077-6	CRIMPER, INSULATION	3
1	-	C		455888-1	SPACER, CRIMPER	2
1	-	C		2-456401-5	CRIMPER, WIRE	1



QTY	REV	U/M	DWG SIZE	PART NO	DESCRIPTION	ITEM NO
-1	U/M					

QTY	REV	U/M	DWG SIZE	PART NO	DESCRIPTION	ITEM NO
-1	U/M					