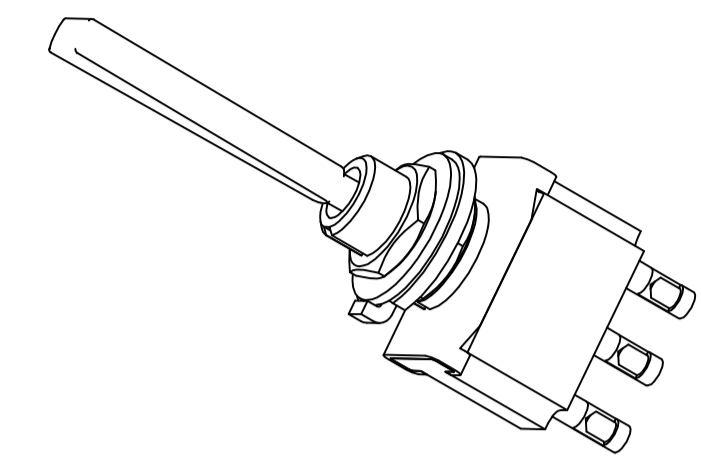


LOC		DIST		REVISIONS			
P	LTR	DESCRIPTION	DATE	DN	APVD		
A1		REVISED PER ECO-10-014168	02AUG10	HMR	MW		

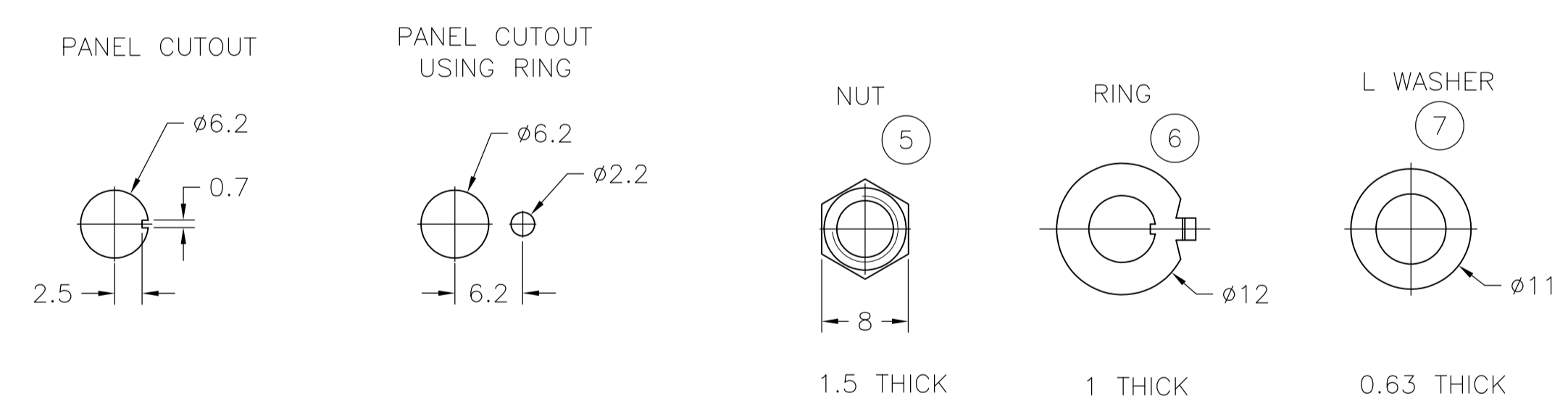
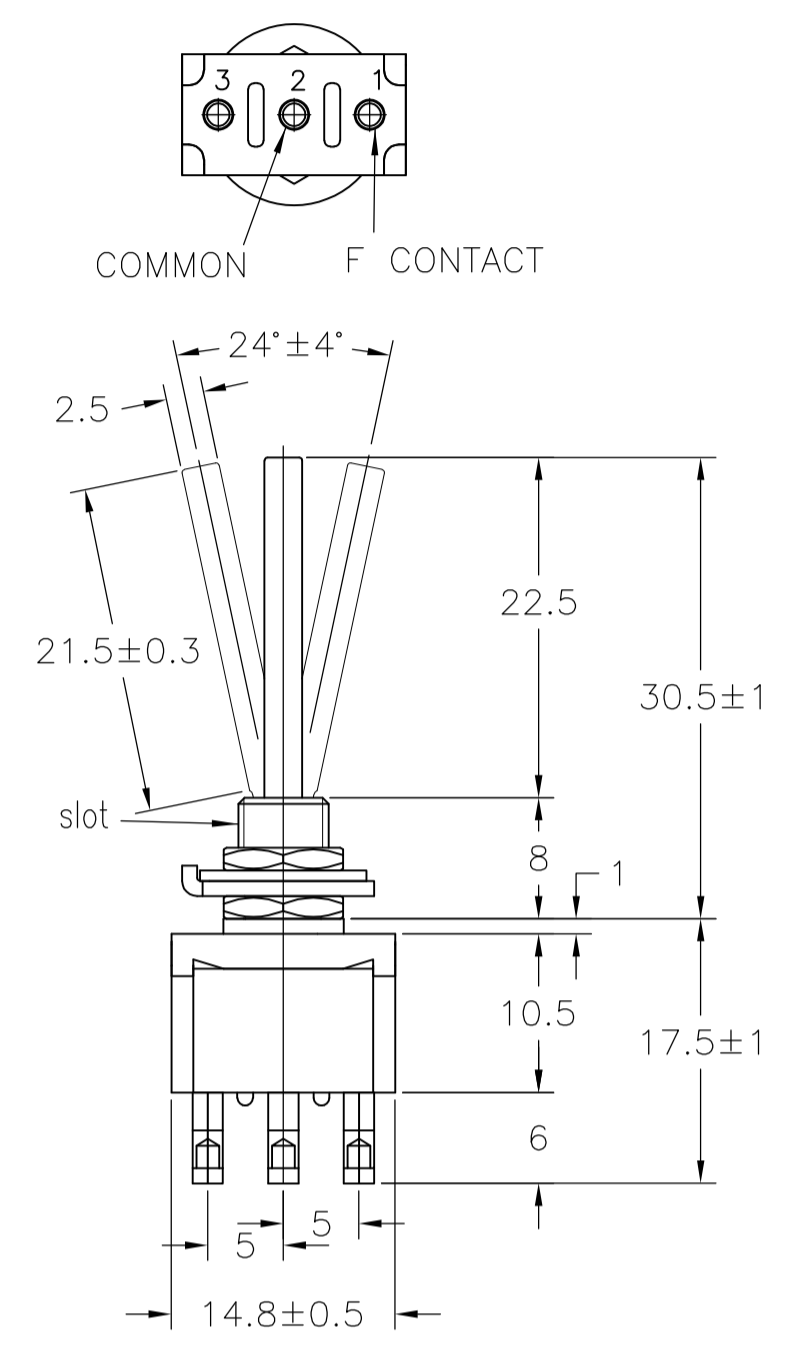
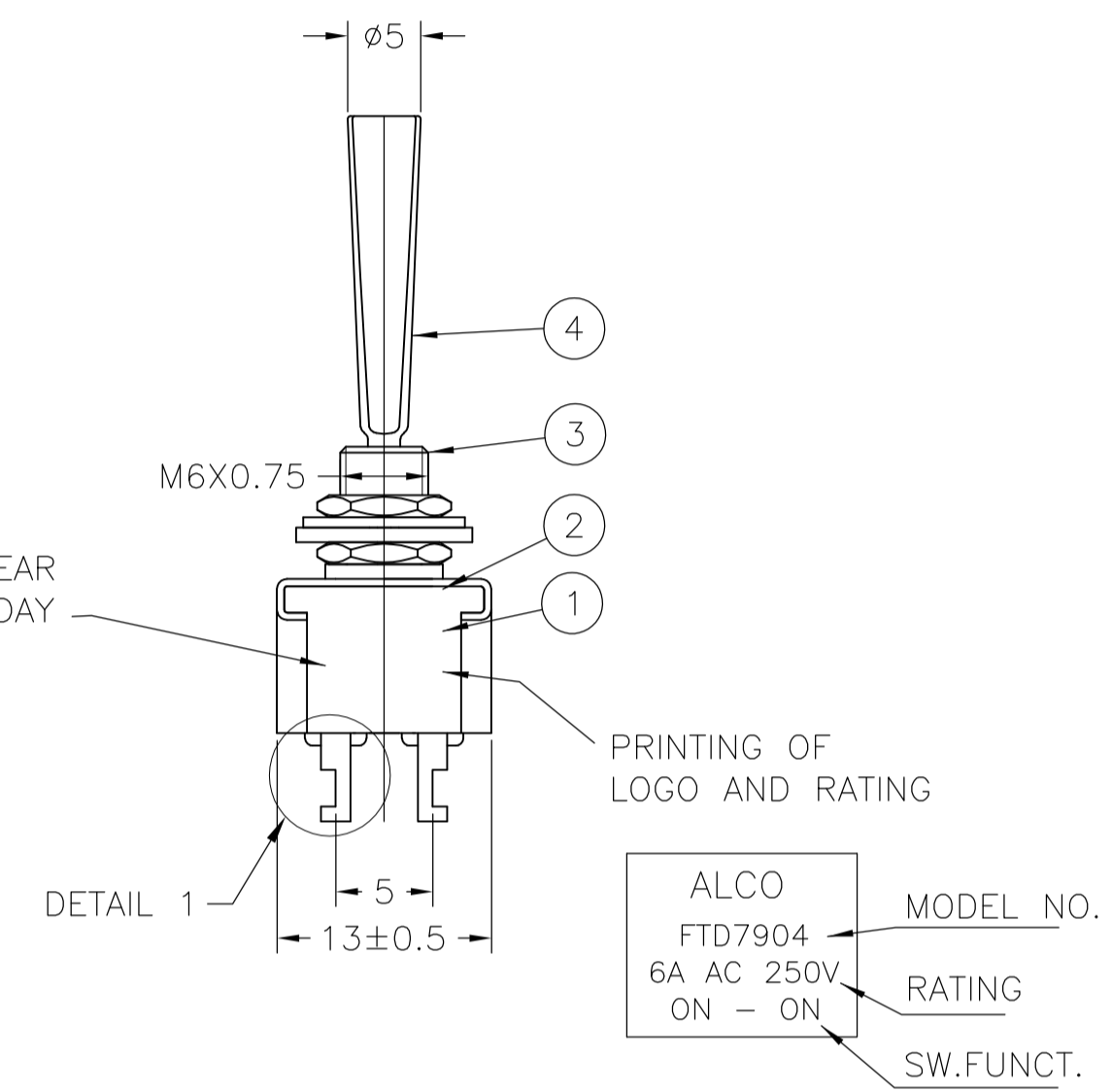
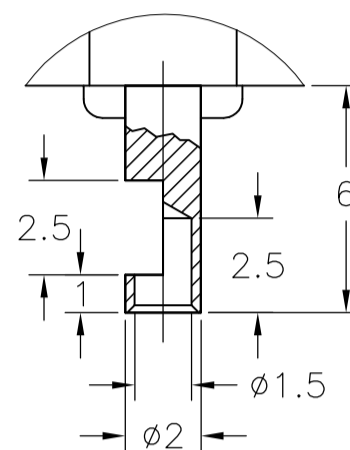


FUNCTION CHART				
6 5 4 3 2 1	6 5 4 3 2 1	6 5 4 3 2 1		
TERMINALS 2 AND 3 5 AND 6			TERMINALS 1 AND 2 4 AND 5	
5-6437630-2	FTN7904	ON	NONE	ON
5-6437630-9	FTN79G04	ON	NONE	ON
7-6437592-5	FTP7904	ON	OFF	ON

(ON): MOMENTARY ACTION
 (OFF): MECHANICAL POSITION WITHOUT ELECTRICAL CONNECTION
 NONE :NO MECHANICAL POSITION

TE PN	PART	TERMINALS 2 AND 3 5 AND 6		TERMINALS 1 AND 2 4 AND 5
5-6437630-2	FTN7904	ON	NONE	ON
5-6437630-9	FTN79G04	ON	NONE	ON
7-6437592-5	FTP7904	ON	OFF	ON

DETAIL1
SCALE 5:1



- 1 0.5VA NO SWITCH FUNCTION WILL BE MARKED BUT WILL BE MARKED GOLD CON.
- 2 OPERATING TEMPERATURE -20°C TO +70°C
- 3 ALL MATERIALS AND FINISHES COMPLY WITH RoHS DIRECTIVE

TE PN	PART	F CONTACT	COMMON	RATING	INITIAL CONTACT RESISTANCE	INSULATION RESISTANCE	DIELECTRIC STRENGTH	ENDURANCE
5-6437630-9	FTN79G04	C3602BD Ep-Cu/Ni3,Au1b	C3602BD Ep-Cu/Ni3,Au1b	20V AC/DC 0.4VA	MAX 10 MILLIOHMS AT DC 2 ~ 4V 0,1A			ELECTRICALLY 50,000 CYCLES AT 20 CYCLES/MIN (RATED LOAD RESISTIVE) MECHANICALLY 100,000 CYCLES AT 20 CYCLES/MIN
5-6437630-2	FTN7904	99,8% Silver + C3602BD Ep-Cu/Ni3,AuFb	C3602BD Ep-Cu/Ni3,AuFb	AC 125V 6A AC 250V 6A	MAX 10 MILLIOHMS AT DC 2 ~ 4V 1A	MIN 1000 M Ohms AT DC 500V	AC 1KV/1min (AC 1.2KV/1sec)	ELECTRICALLY 25,000 CYCLES AT 20 CYCLES/MIN (RATED LOAD RESISTIVE) MECHANICALLY 50,000 CYCLES AT 20 CYCLES/MIN
7-6437592-5	FTP7904							
CONTACT MATERIAL				SPECIFICATIONS				

MATERIALS CHART			
Ep-Fe/Cu2,Ni4b	SK-5	L WASHER	7
Ep-Fe/Cu2,Ni3b	SPCC	RING	6
Ep-Cu/Ni3b	C3602BD	NUT	5
Ep-Cu/Ni3,Cr1b	C3602BD	ACTUATOR	4
Ep-Cu/Ni3b	C3602BD	BUSHING	3
	SUS	FRAME	2
	POLYESTER RESIN	CASE	1
OPTIONAL DESCRIPTION	MATERIAL/SURFACE	PART NAME	PART NO

DIMENSIONS:		TOLERANCES UNLESS OTHERWISE SPECIFIED:		MATERIAL		FINISH		WEIGHT		CUSTOMER DRAWING	
mm		0 PLG	± -								
		1 PLG	± -								
		2 PLG	± -								
		3 PLG	± -								
		4 PLG	± -								
		ANGLES	± -								