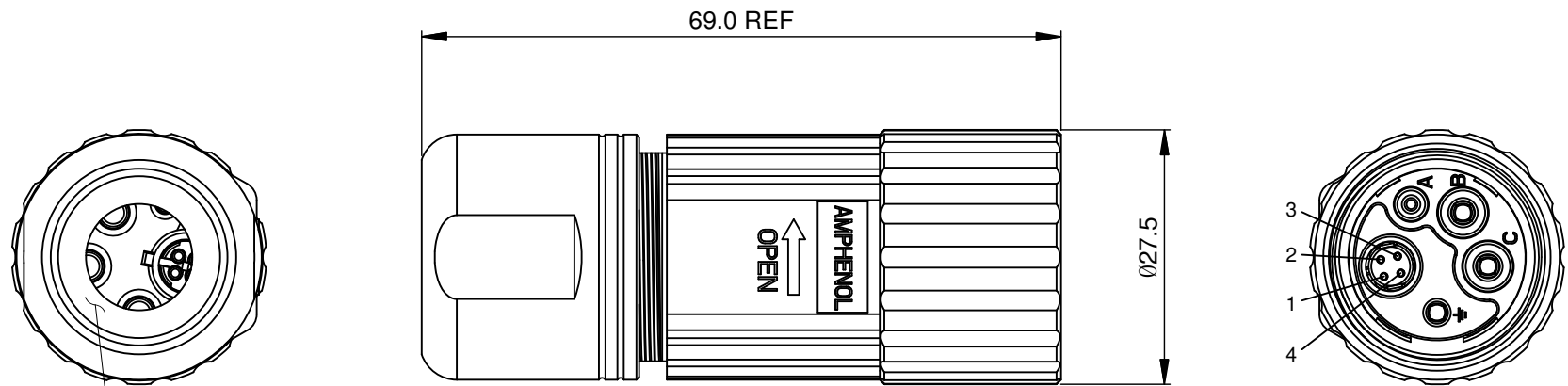
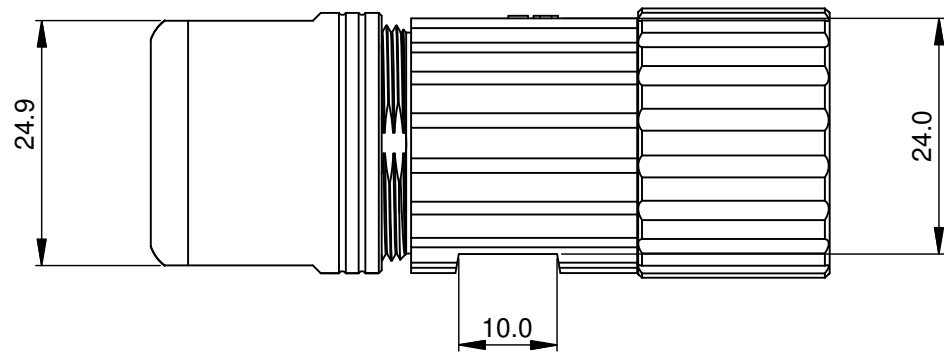


| REVISIONS | | | | | |
|-----------|-----|-------------------|---------|-------|------|
| REV | ECO | DESCRIPTION | DATE | BY | APPR |
| A1 | - | RELEASE NUMBER | 20JUN14 | ORION | |
| A2 | - | ADDED PIN NUMBERS | 08DEC15 | MRF | |



REFER TO PART NUMBER CHART FOR CABLE RANGE

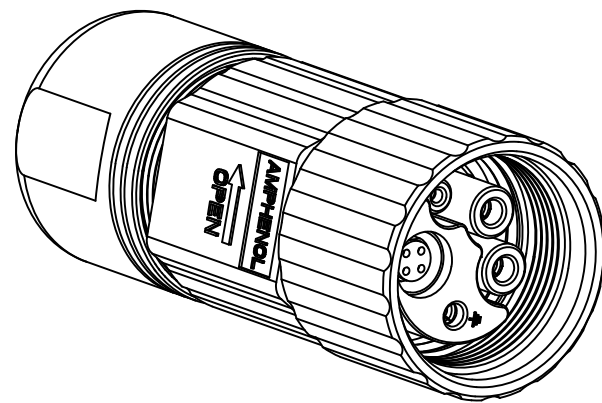


NOTES: UNLESS OTHERWISE SPECIFIED

- MATERIAL:
INSULATION INSERT: THERMOPLASTIC
SEAL: VITON, EPDM
HOUSING BODY: ZINC DIE CAST, NICKEL PLATED
COUPLING NUT: COPPER ALLOY, NICKEL PLATED
- SPECIFICATIONS:
2.1 CURRENT RATING: 2.0MM: 18 AMPS;
1.0MM: 1 AMPS;
QUAD ELEMENT: 0.5 AMPS.
2.2 VOLTAGE RATING: 2.0MM/1.0MM: 850V AC/DC;
QUAD ELEMENT: 30V AC/DC.
2.3 OPERATING TEMPERATURE: -20°C TO +130°C
2.4 DIELECTRIC WITHSTANDING VOLTAGE: LESS THAN 2 MILLIAMPS CURRENT LEAKAGE @ 2.0MM: 6000V;
1.0MM: 1500V;
QUAD ELEMENT: 500V.
2.5 DEGREE OF PROTECTION: IP67 (MATED CONDITION)
2.6 DEGREE OF POLLUTION: 3 PER UL840
2.7 OVERVOLTAGE CATEGORY: III PER UL840
2.8 MATING CYCLE DURABILITY: >500 CYCLES
2.9 RoHS COMPLIANT

3. ALL DIMENSIONS ARE FOR REFERENCE USE ONLY.

| PART NUMBER CHART | |
|-------------------|-------------|
| PART NUMBER | CABLE RANGE |
| MB3XSN8HS1 | 7.5~11.0MM |
| MB3XSN8HS2 | 11.0~14.0MM |
| MB3XSN8HS3 | 14.5~17.0MM |



3D VIEW

| SEE PART NUMBER CHART | | DESCRIPTION | ITEM |
|--|-------------|--|----------------------------|
| QUANTITY | PART NUMBER | DESCRIPTION | ITEM |
| MATERIALS LIST | | | |
| UNLESS OTHERWISE SPECIFIED 1) All dimensions are in metric(mm). 2) Tolerances are as follows: 1 PL DEC ±0.30 2 PL DEC ±0.15 3 PL DEC ±0.08 3) Note reference = \triangle X | | SIGNATURES DRAWN: ORION.LI CHECKED: ENGINEER: APPROVAL: | DATE 20JUN14 |
| MATERIAL SPECIFICATIONS: | | <div style="text-align: center;"> <h1>Amphenol</h1> <p>Sine Systems - www.amphenol-sine.com 44724 Morley Drive Clinton Township, MI 48036</p> </div> | |
| PROCESS SPECIFICATIONS: | | | |
| NEXT ASSY: | | CUSTOMER: | |
| THIS DRAWING IS SUPPLIED FOR INFORMATION ONLY. DESIGN FEATURES, SPECIFICATIONS AND PERFORMANCE DATA SHOWN HEREON ARE THE PROPERTY OF THE AMPHENOL CORPORATION. NO RIGHTS OF REPRODUCTION ARE IMPLIED. ALL DIMENSIONS ARE SUBJECT TO NORMAL MANUFACTURING VARIATIONS. | | SIZE: B TYPE: C- DWG NO: MB3XSN8HSx REVISION: A2 | |
| | | SCALE: NONE | SHEET 1 OF 1 |

TITLE: M23, PLUG, STRAIGHT, HYBRID, THREADED
DWG NO: MB3XSN8HSx
REV: A2
SH: 1
OF: 1