

- NOTES:
 1. MATERIAL: SEE THE TABLE
 2. FINISH: SEE THE TABLE
 3. SPEC. PLS. REFER TO SPEC-31863-XXXX-XXX
 4. PACKAGE PLS REFER TO 31863-024XX-001-PCK
 5. PART NUMBER

31863-024 X X-001
 NO OF CKT _____
 PACKING _____ PLATING _____
 0: TAPE & REEL D: 30u" MIN. GOLD ON CONTACT

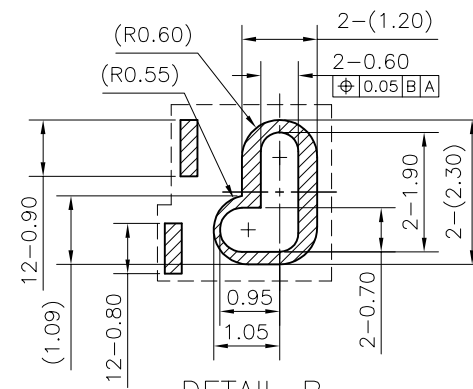
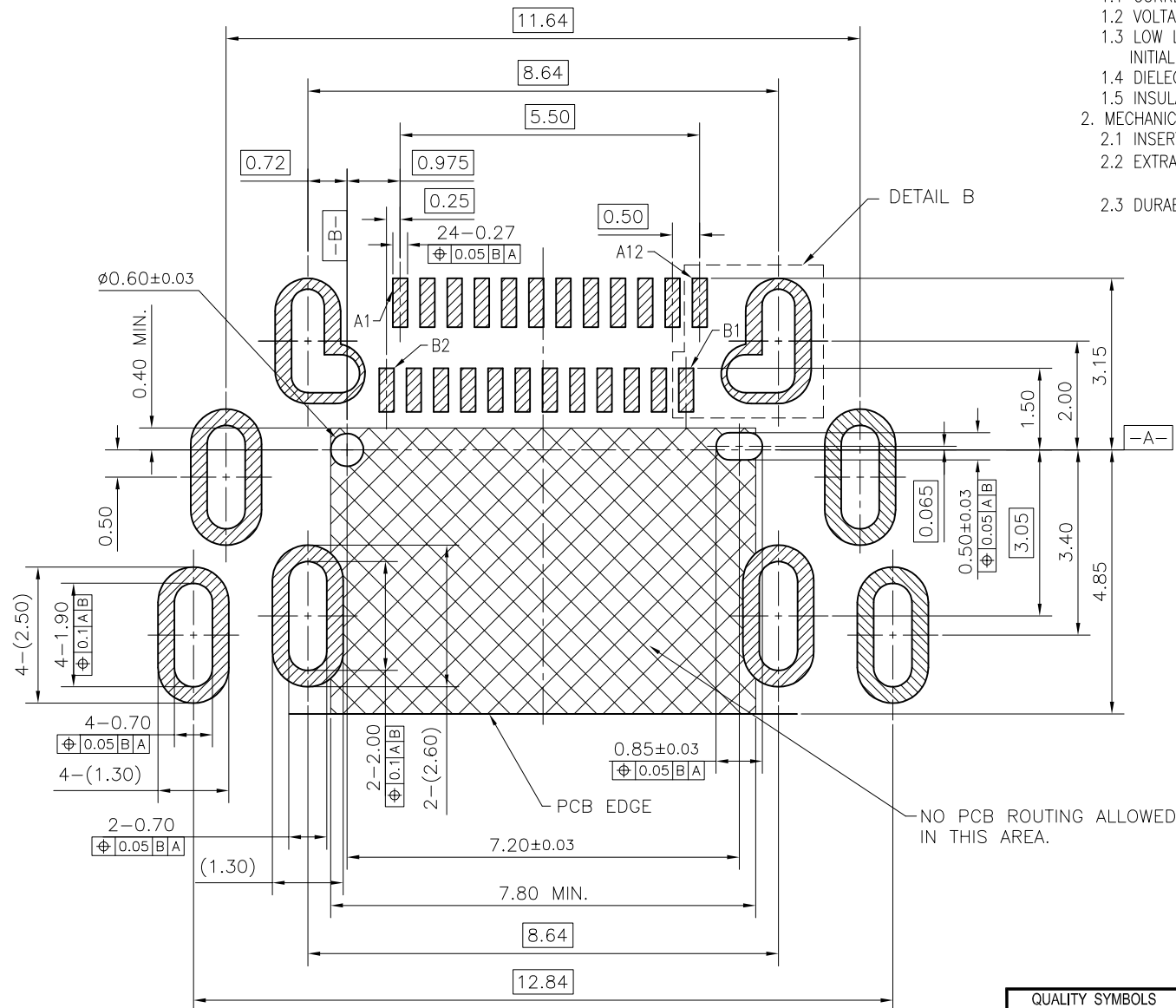
5	OUTER SHELL	1	STAINLESS STEEL	50u" MIN. NICKEL OVERALL.
4	INNER SHELL	1	STAINLESS STEEL	50u" MIN. NICKEL OVERALL.
3	MID-PLATE	1	STAINLESS STEEL	50u" MIN. NICKEL OVERALL.
2	TERMINAL	24	COPPER ALLOY	D: 30u" MIN. GOLD ON CONTACT. 50u" MIN. NICKEL OVERALL. GOLD FLASH ON SOLDER TAILS.
1	HOUSING	1	THERMOPLASTIC, HIGH TEMP., UL94V-0	BLACK
NO	DESCRIPTION	Q'TY	MATERIAL	PLATING & COLOR

QUALITY SYMBOLS MAJOR Ⓜ CRITICAL Ⓢ GENERAL TOLERANCES (UNLESS SPECIFIED) X. ±0.5 .X ±0.25 .XX ±0.15 .XXX ±0.1 ANGLES ±2°	DRAWN BY	DATE		TITLE USB TYPE C RECEPTACLE (C/H=1.58mm)
	Hsu, Wei Chun	20/11/23		
	CHECKED BY	DATE	UNITS	SIZE
	Chang, Chun Te	20/11/23	mm	A4
	APPROVED BY	DATE	SCALE	REV
	Kuo, Rong Hsun	20/11/23	4:1	A
			SHEET NO.	REV
			1 OF 2	
			RFQ NO.	N/A
			DWG NO.	31863-024XX-XXX



NOTES:

- 1 ELECTRICAL CHARACTERISTICS:
 - 1.1 CURRENT RATING: 9.0A
 - 1.2 VOLTAGE RATING: 20V
 - 1.3 LOW LEVEL CONTACT RESISTANCE:
 - INITIAL: 40MΩ MAX. , AFTER: 50MΩ MAX.
 - 1.4 DIELECTRIC WITHSTANDING VOLTAGE: 100VAC FOR 1 MINUTE.
 - 1.5 INSULATION RESISTANCE: 100MΩ MIN.
2. MECHANICAL CHARACTERISTICS :
 - 2.1 INSERTION FORCE: 5N~20N
 - 2.2 EXTRACTION FORCE: 8N~20N (INITIAL)
6N~20N (AFTER TEST)
 - 2.3 DURABILITY: 10,000 CYCLES



A12	GND	B1	GND
A11	SSRXp2	B2	SSTXp2
A10	SSRXn2	B3	SSTXn2
A9	VBUS	B4	VBUS
A8	SBU1	B5	CC2
A7	Dn1	B6	Dp2
A6	Dp1	B7	Dn2
A5	CC1	B8	SBU2
A4	VBUS	B9	VBUS
A3	SSTXn1	B10	SSRXn1
A2	SSTXp1	B11	SSRXp1
A1	GND	B12	GND
PIN	SIGNAL NAME	PIN	SIGNAL NAME

RECOMMENDED PCB LAYOUT
TOP VIEW
SCALE 8:1
(TOLERANCE=±0.05mm)

QUALITY SYMBOLS MAJOR CRITICAL		DRAWN BY Hsu, Wei Chun 20/11/23	DATE 20/11/23		
GENERAL TOLERANCES (UNLESS SPECIFIED) X. ±0.5 .X ±0.25 .XX ±0.15 .XXX ±0.1 ANGLES ±2°		CHECKED BY Chang, Chun Te 20/11/23	DATE 20/11/23		TITLE USB TYPE C RECEPTACLE (C/H=1.58mm)
		APPROVED BY Kuo, Rong Hsun 20/11/23	DATE 20/11/23		RFO NO. N/A
UNITS mm		SCALE 4:1	SHEET NO. 2 OF 2	SIZE A4	DWG NO. 31863-024XX-XXX