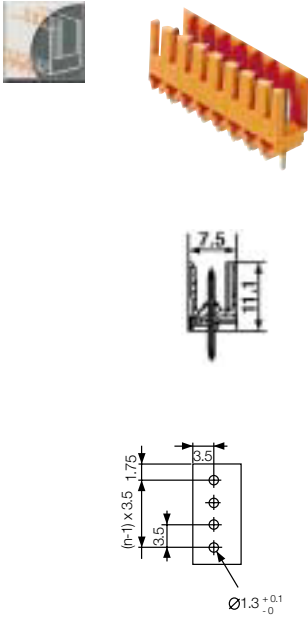


Omnimate Range - 3.50 mm Pitch



Pin headers SL 3.5/180



Technical data	VDE	UL	CSA
Rated voltage (V)	125*	300	300
Rated current (A)	12	10	10

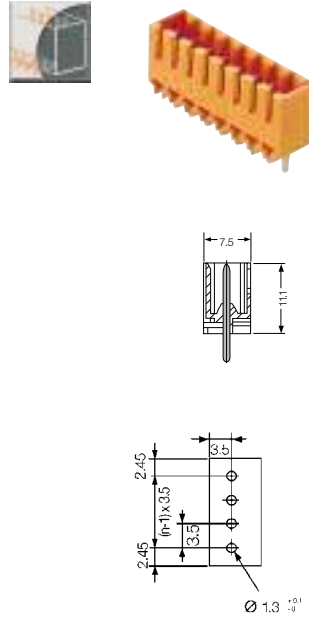
*Pollution severity 3 / Overvoltage category III
Additional technical data see page 211

Solder pin length	3.2 mm	4.5 mm
Color		

Poles	Type	Part No.	Part No.	Qty.
2	SL 3.5/2/180	1604770000	1614210000	100
3	SL 3.5/3/180	1604780000	1615930000	100
4	SL 3.5/4/180	1604790000	1615940000	100
5	SL 3.5/5/180	1604800000	1615950000	50
6	SL 3.5/6/180	1604810000	1610150000	50
7	SL 3.5/7/180	1604820000	1610160000	50
8	SL 3.5/8/180	1604830000	1614220000	50
9	SL 3.5/9/180	1604840000	1615960000	50
10	SL 3.5/10/180	1604850000	1610170000	50
11	SL 3.5/11/180	1604860000	1615970000	50
12	SL 3.5/12/180	1604870000	1615980000	50
13	SL 3.5/13/180	1604880000	1615990000	50
14	SL 3.5/14/180	1604890000	1616000000	50
15	SL 3.5/15/180	1604900000	1616010000	50
16	SL 3.5/16/180	1604910000	1614230000	50
17	SL 3.5/17/180	1621400000	1618450000	20
18	SL 3.5/18/180	1621410000	1618460000	20
19	SL 3.5/19/180	1621420000	1618470000	20
20	SL 3.5/20/180	1621430000	1618480000	20
21	SL 3.5/21/180	1621440000	1618490000	20
22	SL 3.5/22/180	1621450000	1618500000	20
23	SL 3.5/23/180	1621460000	1618510000	20
24	SL 3.5/24/180	1621470000	1618520000	20

Accessories	Page
Mounting	189
Marking	190
Coding	193
Miscellaneous	-

Pin headers SL 3.5/180G



Technical data	VDE	UL	CSA
Rated voltage (V)	125*	300	300
Rated current (A)	12	10	10

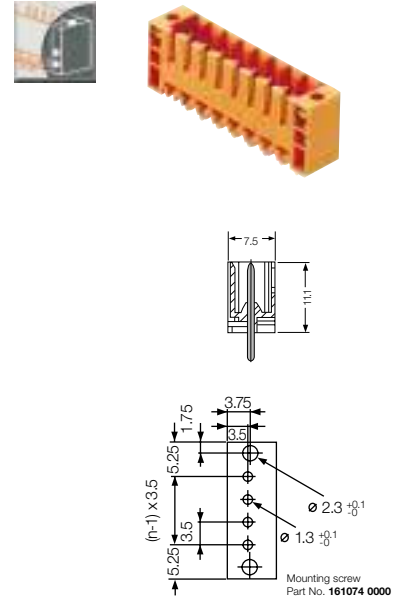
*Pollution severity 3 / Overvoltage category III
Additional technical data see page 211

Solder pin length	3.2 mm	4.5 mm
Color		

Poles	Type	Part No.	Part No.	Qty.
2	SL 3.5/2/180G	1604470000	1614240000	100
3	SL 3.5/3/180G	1604480000	1616020000	100
4	SL 3.5/4/180G	1604490000	1616030000	100
5	SL 3.5/5/180G	1604500000	1616040000	50
6	SL 3.5/6/180G	1604510000	1616050000	50
7	SL 3.5/7/180G	1604520000	1616060000	50
8	SL 3.5/8/180G	1604530000	1614250000	50
9	SL 3.5/9/180G	1604540000	1616070000	50
10	SL 3.5/10/180G	1604550000	1616080000	50
11	SL 3.5/11/180G	1604560000	1616090000	50
12	SL 3.5/12/180G	1604570000	1616100000	50
13	SL 3.5/13/180G	1604580000	1616110000	50
14	SL 3.5/14/180G	1604590000	1616120000	50
15	SL 3.5/15/180G	1604600000	1616130000	50
16	SL 3.5/16/180G	1604610000	1614260000	50
17	SL 3.5/17/180G	1621790000	1618610000	20
18	SL 3.5/18/180G	1621800000	1618620000	20
19	SL 3.5/19/180G	1621810000	1618630000	20
20	SL 3.5/20/180G	1621820000	1618640000	20
21	SL 3.5/21/180G	1621830000	1618650000	20
22	SL 3.5/22/180G	1621840000	1618660000	20
23	SL 3.5/23/180G	1621850000	1618670000	20
24	SL 3.5/24/180G	1621860000	1618680000	20

Accessories	Page
Mounting	189
Marking	190
Coding	193
Miscellaneous	-

Pin headers SL 3.5/180F



Technical data	VDE	UL	CSA
Rated voltage (V)	125*	300	300
Rated current (A)	12	10	10

*Pollution severity 3 / Overvoltage category III
Additional technical data see page 211

Solder pin length	3.2 mm	4.5 mm
Color		

Poles	Type	Part No.	Part No.	Qty.
2	SL 3.5/2/180F	1607500000	1616140000	100
3	SL 3.5/3/180F	1607510000	1616150000	100
4	SL 3.5/4/180F	1607520000	1616160000	100
5	SL 3.5/5/180F	1607530000	1616170000	50
6	SL 3.5/6/180F	1607540000	1616180000	50
7	SL 3.5/7/180F	1607550000	1616190000	50
8	SL 3.5/8/180F	1607560000	1614270000	50
9	SL 3.5/9/180F	1607570000	1616200000	50
10	SL 3.5/10/180F	1607580000	1616210000	50
11	SL 3.5/11/180F	1607590000	1616220000	50
12	SL 3.5/12/180F	1607600000	1616230000	50
13	SL 3.5/13/180F	1607610000	1616240000	50
14	SL 3.5/14/180F	1607620000	1616250000	50
15	SL 3.5/15/180F	1607630000	1616260000	50
16	SL 3.5/16/180F	1607640000	1616270000	50
17	SL 3.5/17/180F	1622180000	1618910000	20
18	SL 3.5/18/180F	1622190000	1618920000	20
19	SL 3.5/19/180F	1622200000	1618930000	20
20	SL 3.5/20/180F	1622210000	1618940000	20
21	SL 3.5/21/180F	1622220000	1618950000	20
22	SL 3.5/22/180F	1622230000	1618960000	20
23	SL 3.5/23/180F	1622240000	1618970000	20
24	SL 3.5/24/180F	1622250000	1618980000	20

Accessories	Page
Mounting	188, 189
Marking	190
Coding	193
Miscellaneous	-