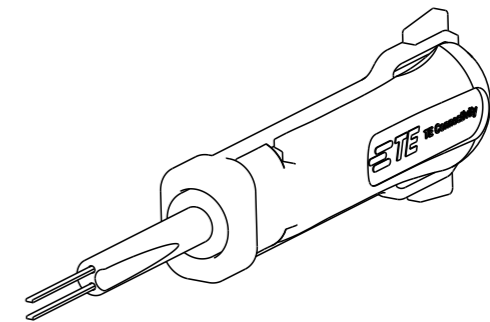
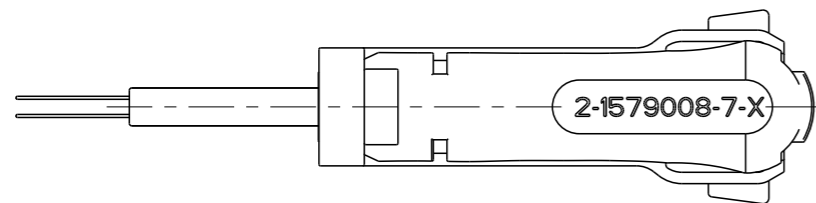
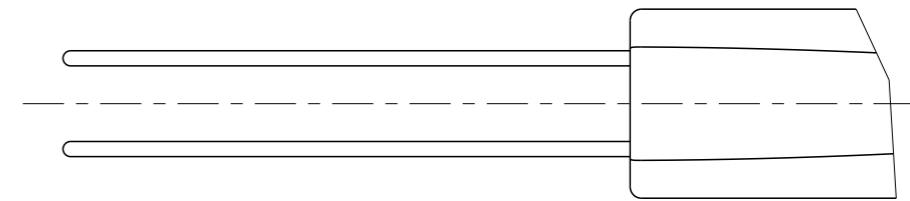
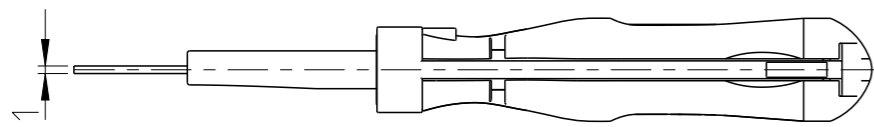
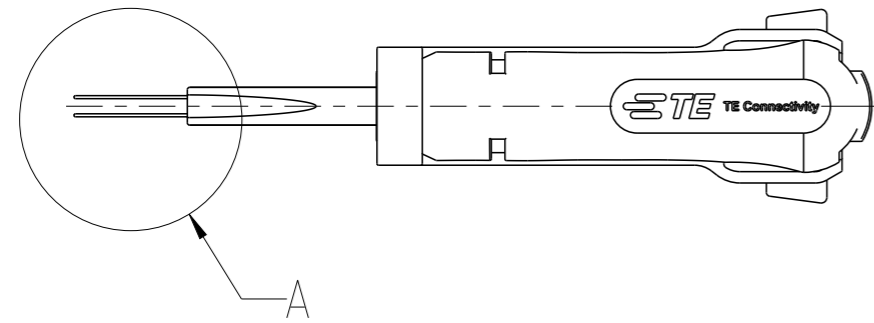


P	LTR	DESCRIPTION	DATE	DWN	APVD
	A1	ECR-23-169560	29MAR2023	DK	MB

DETAIL A
5:1



FOR CONTACTS/HOUSINGS:
HDX

THIS DRAWING IS A CONTROLLED DOCUMENT.		DWN m.pearson	06NOV2006		
DIMENSIONS: mm		CHK	-		
		TOLERANCES UNLESS OTHERWISE SPECIFIED:		NAME EXTRACTION TOOL	
		0 PLC	±	APVD	-
MATERIAL		1 PLC	±	PRODUCT SPEC	-
FINISH		2 PLC	±	APPLICATION SPEC	-
		3 PLC	±	WEIGHT	0.019 kg
MATERIAL		4 PLC	±	SIZE	A3
FINISH		ANGLES	±	CAGE CODE	00779
MATERIAL				DRAWING NO	©-2-1579008-7
FINISH				RESTRICTED TO	-
MATERIAL				CUSTOMER DRAWING	SCALE 1:1
FINISH				SHEET 1 OF 1	REV A2