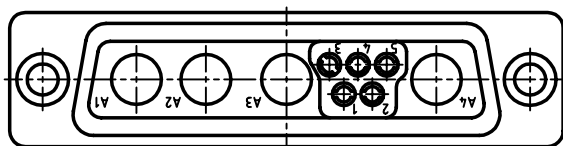
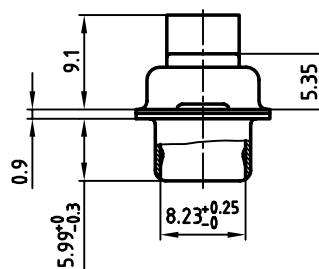
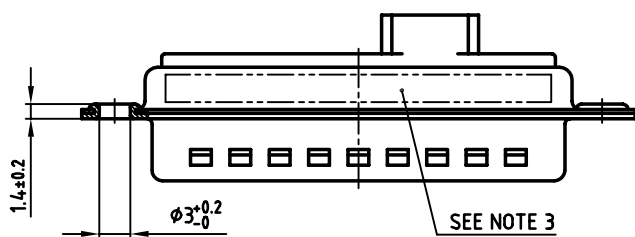
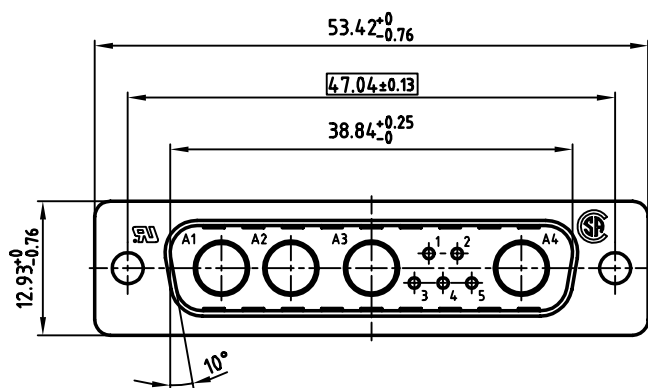


used for: D-SUB COMBINATION CRIMP



NOTES:

1. METALSHELLS: STEEL; TIN PLATED
2. INSULATORS: PBT GF UL 94 V-0; BLACK
3. CONNECTOR IS PART MARKED: PART NO.: CONEC Y/W/W
4. = CRITICAL DIMENSION: SPC

Directive 2002/95/EC
"RoHS"
Compliant

THIS DRAWING MAY NOT BE COPIED OR REPRODUCED IN ANY WAY, AND MAY NOT BE PASSED ON TO A THIRD PARTY, WITHOUT WRITTEN PERMISSION. OWNERSHIP AND COPYRIGHT OF CONEC GmbH DO NOT ALTER CAD DRAWING BY HAND

rev.	description	date	name

tolerance			scale: 2:1
material: SEE NOTES			material: SEE NOTES
1998	date	name	D-SUB COMBINATION MALE CRIMP STYLE 9W4P
drawn	25.11	Barcinski	
appd.	25.11.	Mickenbecker	
norm			
d-old			
			dwg no: AutoCAD/REL.13 DIN-A
			13K11L1A 3
			sh: 1/1
			part no: 3009W4P XK99A10X

title:		AutoCAD/REL.13 DIN-A	
		3	
		sh: 1/1	
		part no: 3009W4P XK99A10X	