

PART NUMBER	REV	FIRST USED
567926-1	C	854040-3

GROUP I		VISIBLE	CRIMPING DATA		
WIRE RANGE	26-22	PAD LTR	CRIMP HEIGHT	WIRE SIZE	
280530-1	280530-5	A	.022 ±.001 [0.56 ±0.03mm]	30 OR 28	
280530-2	280530-6	B	NOT	USED	
280530-3		C	.028 ±.001 [0.71 ±0.03mm]	24 OR 22	
280530-4	280708-2	D	.025 ±.001 [0.64 ±0.03mm]	26	
GROUP II		CRIMP	SIZE	TYPE	RANGE
280422-1	280422-4	WIRE	.055 [1.40mm]	F	30 - 22
280422-2	280422-5	INSUL	.062 [1.57mm]	0	.043 - .056
280422-3					
	280709-2				
WIRE STRIP LENGTH	TERM APPL SPEC	FEED	APPL INSTRUCTION	SET UP GAGE	LAYOUT
-	114-20004	.200	SEE CUSTOMER MANUAL	NONE	L1817

QTY	REV	DESCRIPTION	ITEM NO
2	-	C 8-354779-2 PIN, WIRE DISC (.3400)C	129
2	-	C 7-354779-6 PIN, WIRE DISC (.3370)B	127
2	-	C 6-354779-8 PIN, WIRE DISC (.3330)A	126
1	-	A 986950-1 WASHER, FLAT PRECISION	125
1	-	A 217238-3 GENERAL INSTRUCTION PACKAGE	124
			123
			122
1	-	A 4-21028-0 PIN, SLT SPR (#.093x.75) ST GDE PL	121
1	-	B 690701-2 PLATE, SERIAL NO.	120
2	-	A 21899-2 WASHER, FLAT (#10) 5 G ADJ BLK	119
			118
2	-	A 21024-5 WASHER, LOCK (#10) ADJ BLOCK	117
			116
			115
2	-	A 21024-2 WASHER, LOCK (#4) FRONT STP GUIDE	114
REF	-	A 21024-4 WASHER, LOCK (#8) FEED FINGER	113
2	-	A 21024-4 WASHER, LOCK (#8) DEP-HOLD	112
REF	-	A 21024-4 WASHER, LOCK (#8) STRIPPER	111
			110
			109
			108
			107
			106
			105
			104
1	-	A 21009-2 SCR, SKT 5ET (1/4-20x.25 LW) RAM	103
			102
4	-	A 21017-2 SCR, DRIVE (#2x.19) ID PLATE	101
1	-	B 819347-1 PLATE, IDENTIFICATION	100
2	-	A 3-21002-0 SCR, BHC (10-32x.88) DRAG	99
1	-	A 22733-8 SCR, BHC (8-32x.38 LW) ANVIL	98
			97
1	-	A 3-21000-8 SCR, SHC (10-32x.88) MOUNTING	96
1	-	A 2-21002-7 SCR, BHC (10-32x.50) 5G ADJ BLK	95
6	-	A 2-21002-2 SCR, BHC (8-32x.50) SHEAR-TERM SUP	94
			93
			92
1	-	A 1-21002-7 SCR, SHC (6-32x.50) CAM	91
2	-	A 2-21000-7 SCR, SHC (8-32x.50) SCR BLK	90
			89
2	-	A 1-21002-6 SCR, SHC (6-32x.25) REAR SHEAR PL	88
2	-	A 2-21000-8 SCR, SHC (8-32x.63) DEP-HOLD DOWN	87
REF	-	A 2-22603-0 SCR, HEX HD (8-32x.31) FEED FINGER	86
2	-	A 1-21000-3 SCR, SHC (4-40x.25) F ST GUIDE	85
REF	-	A 22733-9 SCR, BHC (8-32x.50 SL) STRIPPER	84
			83
			82
1	-	A 3-22603-1 SCR, HEX (10-32x.38) 5G ADJ BL	81
			80
			79
			78
2	-	B 463310-8 BLADE, STRIPPING (#26)	77
			76
			75
1	-	A 690603-1 SPRING, ASSIST	74
1	-	A 23030-1 SCR, SKT CAP (6-32x.25) CP DSC	73
			72
			71

QTY REOD PER ASSY	U/M	DWG SIZE	PART NO	DESCRIPTION	ITEM NO

REVISION RECORD		DATE	BY	DESCRIPTION
C	0150-0007-01	JAN01	CMR	
B	0150-7486-97	1-97	TB	
A	REVISED	12-96	CE	

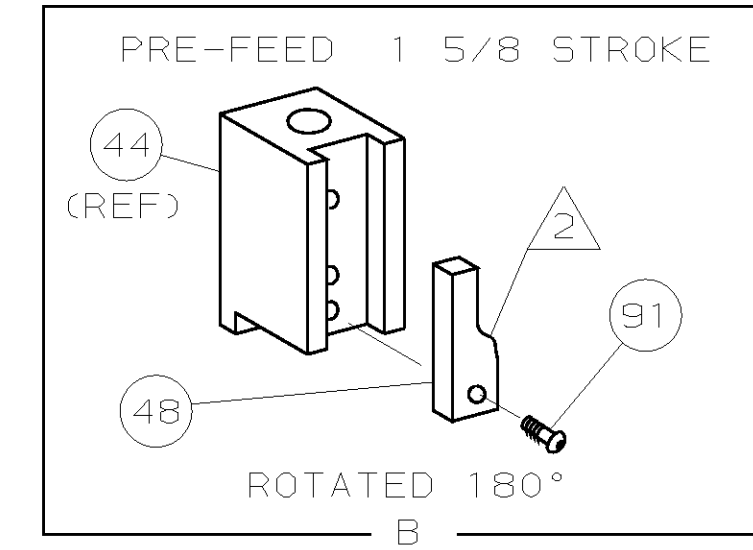
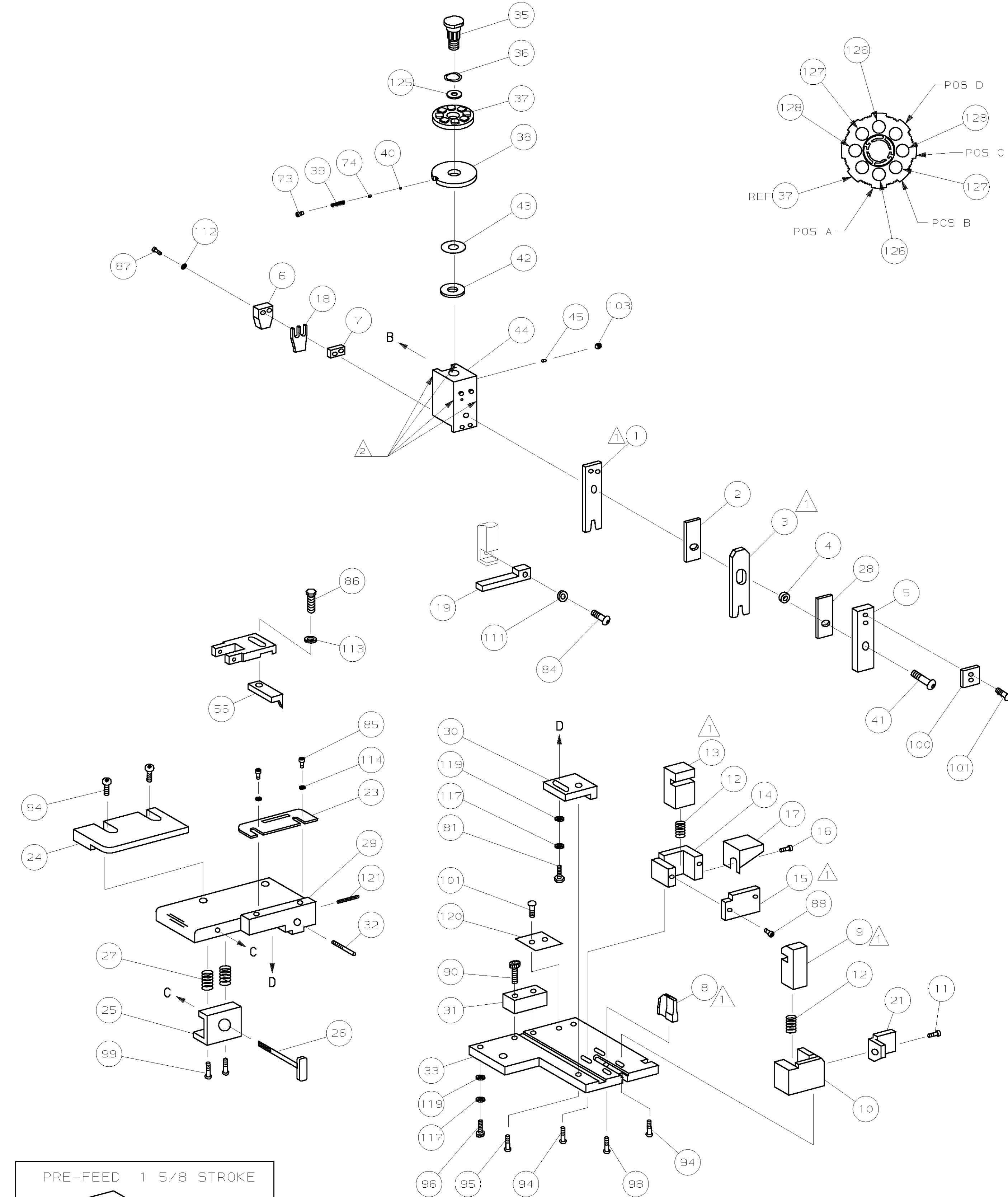
QTY	REV	DESCRIPTION	ITEM NO
			70
			69
			68
			67
			66
			65
			64
			63
			62
			61
			60
			59
			58
			57
REF	-	B 694433-8 PAWL, FEED	56
			55
			54
			53
			52
			51
			50
			49
1	-	A 690602-6 CAM, PRE-FEED 1.62 STROKE	48
			47
			46
1	-	A 690191-1 PLUG, NYLON	45
1	-	C 455673-1 RAM	44
1	-	A 690125-1 WASHER, LAMINATED	43
1	-	A 690124-1 WASHER, RAM	42
1	-	A 7-21002-9 BOLT, CRIMPER (5/16x1.00)	41
1	-	A 23241-6 BALL, STEEL	40
1	-	A 690170-1 SPRING, COMPRESSION	39
1	-	C 690142-4 DISC, INSULATION	38
1	-	D 354777-1 WIRE DISC, PLASTIC	37
1	-	A 22480-5 WASHER, SPRING	36
			35
			34
1	-	C 462544-1 PLATE, BASE SPECIAL	33
1	-	A 690432-3 SCREW, ADJUSTMENT	32
1	-	B 462543-1 BLOCK, SCREW SPECIAL	31
1	-	B 455689-1 BLOCK, STRIP GUIDE ADJ	30
1	-	C 455671-5 PLATE, STRIP GUIDE	29
1	-	C 1-455888-9 SPACER, FRONT SHEAR DEP	28
2	-	A 1-22284-0 SPRING, DRAG	27
1	-	B 690546-1 LEVER, DRAG RELEASE	26
1	-	B 240792-1 DRAG, TERMINAL	25
1	-	D 6-690504-4 GUIDE, STRIP (REAR)	24
1	-	A 690438-1 GUIDE, STRIP (FRONT)	23
			22
1	-	A 463756-1 GUIDE, SCRAP	21
			20
REF	-	C 462615-1 STRIPPER	19
1	-	B 690518-2 HOLDER, TERMINAL	18
1	-	A 691668-1 GUARD, CHIP (REAR)	17
1	-	A 690461-1 STOP, SHEAR (REAR)	16
1	-	B 1-690691-0 PLATE, SHEAR (REAR)	15
1	-	B 681023-1 HOLDER, SHEAR (REAR)	14
1	-	C 690463-1 SHEAR, FLOAT (REAR)	13
2	-	A 5-22280-0 SPRING, SHEAR	12
1	-	B 690461-2 STOP, SHEAR (FRONT)	11
1	-	B 462548-1 HOLDER, SHEAR (FRONT) SP	10
1	-	B 462547-1 SHEAR, FLOAT (FRONT) SP	9
1	-	C 692980-2 ANVIL	8
1	-	C 6-240641-4 SPACER, DEPRESSOR (REAR)	7
1	-	B 690468-1 DEPRESSOR, SHEAR (REAR)	6
1	-	A 462838-1 DEPRESSOR, SHEAR (FRONT) SP	5
1	-	B 1-238011-3 SPACER, BLOCK CRIMPER	4
1	-	C 7-456135-8 CRIMPER, INSULATION	3
1	-	C 455888-1 SPACER, CRIMPER	2
1	-	C 2-456402-3 CRIMPER, WIRE	1

QTY REOD PER ASSY	U/M	DWG SIZE	PART NO	DESCRIPTION	ITEM NO

CUSTOMER AND ASSEMBLY DRAWING 1

THIS DRAWING IS A CONTROLLED DOCUMENT.

THIS DRAWING IS UNCLASSIFIED - RELEASED FOR PUBLICATION BY AMP INCORPORATED. ALL RIGHTS RESERVED.



- 1 RECOMMENDED SPARE PARTS.
- 2 GREASE LIGHTLY.
- 3 ITEM NOT SHOWN
- 4 INSULATION CRIMP HEIGHT .068 MAX.
- 5 CUT TO LENGTH AT ASSY

567926