

Balun

We accomplish the advanced characteristics of Low Insertion Loss and High Isolation, the Miniaturization and High Performance by our μ -wave circuit simulation and fine line printing technologies.

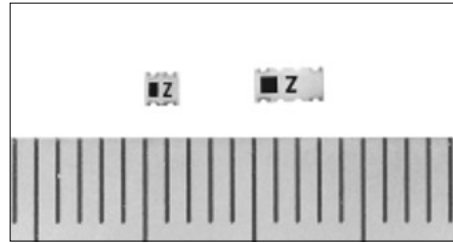
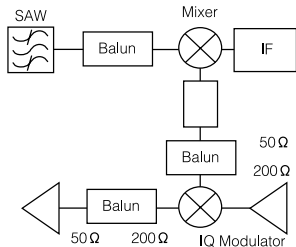
Features

- Ultra miniaturized, thin type (1.6 X 0.8 X t 0.55)
- Available for each frequency range (100 MHz to 4000 MHz)
- Balanced / Unbalanced Converter
- Impedance matching (50 Ω / 200 Ω , 50 Ω / 100 Ω)

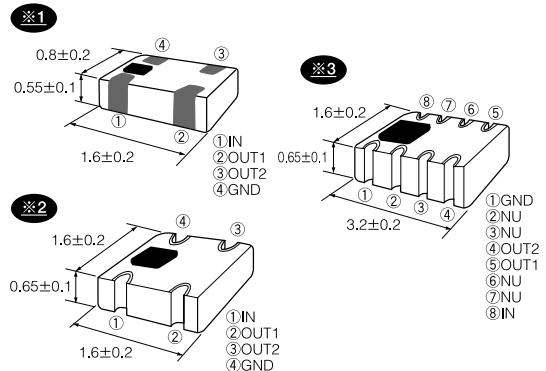
Recommended Applications

- Digital portable telephone
- Dual mode portable telephone
- Personal handy-phone system
- Mobile communication system

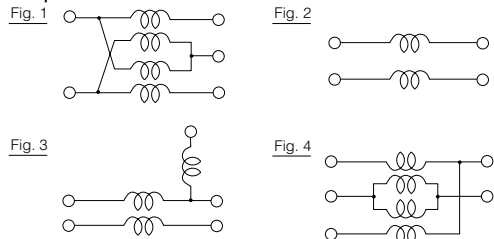
Block Diagram



Dimensions in mm (not to scale)



An Equivalent Circuit



Typical Characteristics

Part No. Items	EHFFD 1750A	EHFFD 1622	EHFFD 1620	EHFFD 1629	EHFFD 1624B	EHFFD 1624D	EHFFD 1624	EHFFD 1615	EHFFD 1621	EHFFD 1626	EHFFD 1618	EHFFD 1619	EHFFD 1627	EHFFD 1631
	Frequency (MHz)	1700 to 1950	700 to 900	900 to 1350	1550 to 2000	1600 to 1950	1800 to 2000	3400 to 4000	670 to 900	1100 to 1450	1600 to 1800	700 to 1300	1200 to 2200	1546 to 1621 1806 to 1990
Insertion Loss (dB)	1.0 max.	1.0 max.	1.0 max.	0.8 max.	1.0 max.	1.0 max.	2.0 max.	1.0 max.	1.0 max.	1.0 max.	1.0 max.	1.0 max.	1.0 max.	1.0 max.
Difference of Phase(deg)	180±15	180±15	180±15	180±10	180±15	180±15	180±15	180±15	180±15	180±15	180±15	180±15	180±15	180±20
Impedance (Ω)	50/200	50/200	50/200	50/50	50/200	50/200	50/200	50/200	50/200	50/200	50/50	50/50	50/50	50/50
Circuit Diagram	Fig. 1	Fig. 1	Fig. 1	Fig. 2	Fig. 1	Fig. 1	Fig. 1	Fig. 1	Fig. 1	Fig. 1	Fig. 2	Fig. 2	Fig. 3	Fig. 4
Size (mm)	1.6X0.8	1.6X1.6	1.6X1.6	1.6X1.6	1.6X1.6	1.6X1.6	1.6X1.6	3.2X1.6	3.2X1.6	3.2X1.6	3.2X1.6	3.2X1.6	3.2X1.6	3.2X1.6
Construction No.	※ 1	※ 2	※ 2	※ 2	※ 2	※ 2	※ 2	※ 3	※ 3	※ 3	※ 3	※ 3	※ 3	
Note														Dual