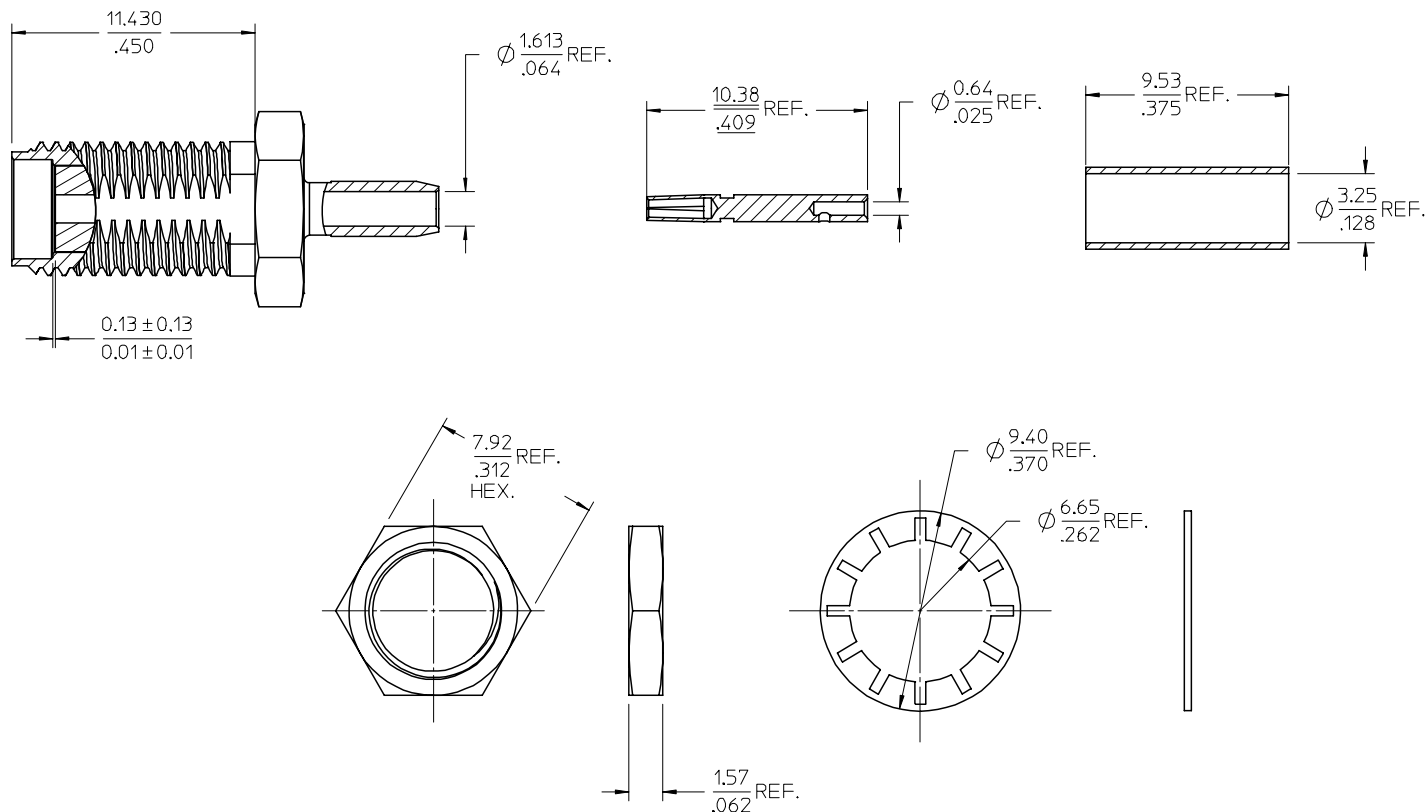
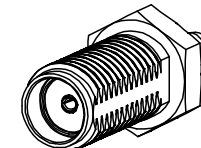


MATERIALS AND FINISHES

- J BODY STAINLESS STEEL
PLATED PASSIVATED
- I CENTER CONTACT BERYLLIUM COPPER
PLATED GOLD
- H INSULATOR TEFLON
- H CRIMP TUBE BRASS
PLATED NICKEL
- G JAM NUT STAINLESS STEEL
PLATED PASSIVATED
- G LOCK WASHER PHOSPHOR BRONZE
PLATED NICKEL



PART # 73251-1960

AS-89678-8940	CABLE ASSY. INSTRUCTION
PS-89675-1170	ELECTRO./MECH PERFORMANCE
MIL-STD-348A, FIG. 310-2	INTERFACE
SPECIFICATION	DESCRIPTION

73251-1961		73251-1960 BY TRAY (20 CAV.)																
PART NO.		PACKAGING																
QUALITY SYMBOLS $\blacktriangledown = 0$ $\nabla = 0$	GENERAL TOLERANCES (UNLESS SPECIFIED)		DIMENSION STYLE MM/IN															
	<table border="1"> <tr> <th></th> <th>mm</th> <th>INCH</th> </tr> <tr> <td>4 PLACES</td> <td>± .005</td> <td>± .0005</td> </tr> <tr> <td>3 PLACES</td> <td>± .004</td> <td>± .0004</td> </tr> <tr> <td>2 PLACES</td> <td>± .003</td> <td>± .0003</td> </tr> <tr> <td>1 PLACE</td> <td>± .002</td> <td>± .0002</td> </tr> </table>			mm	INCH	4 PLACES	± .005	± .0005	3 PLACES	± .004	± .0004	2 PLACES	± .003	± .0003	1 PLACE	± .002	± .0002	SCALE DESIGN UNITS METRIC
		mm	INCH															
	4 PLACES	± .005	± .0005															
3 PLACES	± .004	± .0004																
2 PLACES	± .003	± .0003																
1 PLACE	± .002	± .0002																
ADDITIONAL INFO: ADDED P/N: 73251-1961 EC NO: URF2007-0497 DRAWN: LIN CHKD: MHL APPR: MHL DATE: 2007/06/15 DATE: 2007/06/21 DATE: 2007/06/21		DATE 2002/9/13 DATE 2002/9/13 DATE 2002/9/13																
DRAFT WHERE APPLICABLE MUST REMAIN WITHIN DIMENSIONS		SEE TABLE THIS DRAWING CONTAINS INFORMATION THAT IS PROPRIETARY TO MOLEX INCORPORATED AND SHOULD NOT BE USED WITHOUT WRITTEN PERMISSION																
MATERIAL NO. SD-73251-196		THIRD ANGLE PROJECTION SMA JACK BULKHEAD FOR RG316/RG174/RG188 SMA-JC MOLEX INCORPORATED DOCUMENT NO. SD-73251-196 SHEET NO. 1 OF 1																