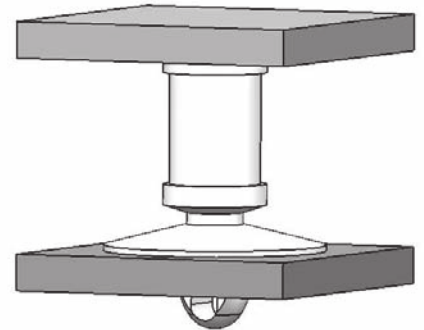
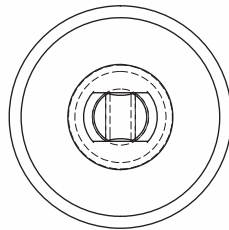


TO SNAP LOCK IN A \varnothing .100 \pm .002
[2.54 \pm 0.05] HOLE, IN A
.062 [1.57] THICK BOARD



PART NO.	DIM. "A" \pm .015
CPST-2-01	1/8 [3.2]
CPST-3-01	3/16 [4.8]
CPST-4-01	1/4 [6.4]
CPST-5-01	5/16 [7.9]
CPST-6-01	3/8 [9.5]
CPST-7-01	7/16 [11.1]
CPST-8-01	1/2 [12.7]
CPST-9-01	9/16 [14.3]
CPST-10-01	5/8 [15.9]

NOTES:

- STANDARD MATERIAL: NYLON 6/6 UL94 V-2 (RMS-01), COLOR NATURAL.
- ALTERNATE MATERIAL: NYLON 66/6 UL94 V-0 (RMS19), COLOR NATURAL.
AVAILABLE BY SPECIAL ORDER. TO ORDER REPLACE "-01" WITH "-19".
- ALTERNATE UNITS FOR REFERENCE ONLY.

TITLE: CUPPED PUSH SPACER, TEARDROP				UNITS= IN [mm]	FINAL	PRINT TYPE
CREATED USING SOLIDWORKS	FILE #: CPST	DWN: SK	APP: SK			
TOLERANCES UNLESS NOTED .XX \pm .010 .XXX \pm .005 FRAC. \pm 1/64 ANG. \pm 1°	SHEET: 1 OF 2	SHEET SIZE: A	DT: 09/08/11	CHKD: DZ	PART #	CA
RE: RICHCO, INC. --	RICHCO, INC. WWW.RICHCO-INC.COM		SEE TABLE			

REV.	DESCRIPTION	ENGR.	DATE
A	REDRAWN, SEE CO 200706	SK	09/08/11

