



SPECIFICATIONS

| Model | Stroke mm | Max Energy Absorption J(kgf·m) | Max Equiv. Mass kg(kgf) | Range of Impact Rate m/s | Orifice Type |
|-------------|-----------|--------------------------------|-------------------------|--------------------------|-----------------------|
| FA-1612XD-S | 12 | 9.8(1.0) | 10(10) | 0.1~3 | Multiple-orifice type |

COMMON SPECIFICATIONS

| Max Drag N(kgf) | Max Cycle Rate cycle/min | Max Energy Absorption per min. J/min(kgf·m/min) | Extension Force N(kgf) | Operating Temp. C° | Mass g |
|-----------------|--------------------------|---|------------------------|--------------------|--------|
| 2,646 (270) | 60 | 235(24) | 14.7(1.5) or lower | -5~70 | 108 |

PRECAUTIONS FOR USE

- Do not use this product without carefully reading the attached owner's manual.
- Ensure that an external stopper (Stopper nut OP-020HB) is also used.
- Do not turn the oil inlet screw located at the bottom of the main unit.
- Ensure that sufficient mounting strength is secured for this product. (As a guideline, it should be 2 to 3 times the maximum drag listed in the catalogue.)
- Do not use this product in a vacuum or a location where it may come in contact with oil.
- Ensure that an eccentric load is not applied to the soft absorber. (Allowable eccentric angle: within $\pm 2.5^\circ$)

ADJUSTMENT METHOD

- To adjust, turn the adjustment knob located at the bottom of the main unit.
- Because the adjustment can be done in an analog manner, a value between two integers on the indicator can be set.
- Once the adjustment is complete, secure with a lock screw using a hex wrench.

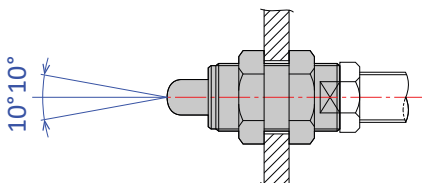
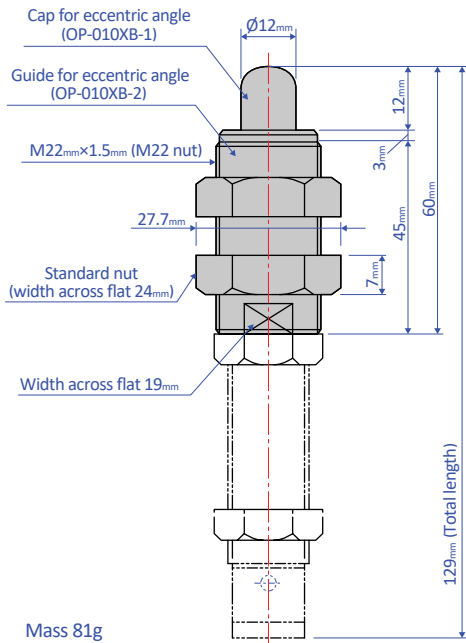
ABSORPTION CHARACTERISTICS

| | | |
|--------------|---------------------|-----------------------------------|
| Orifice type | Single-orifice type | <p>Absorption characteristics</p> |
| Model number | FA-1612XD Series | |
| Application | For high speed | |

OPTIONAL PARTS

Eccentric angle adaptor OP-010XB

- Screw the eccentric angle adaptor into the main unit until the cap for the eccentric angle and the piston rod form a tight connection. While maintaining this position, fasten the main unit's nut until it is secured.
- Use the eccentric angle adaptor when the eccentric angle is 2.5° or larger.
- The main unit can also be used as a stopper.
- Use it with a capless soft absorber.
- The maximum operating eccentric angle with an eccentric angle adaptor is $\pm 10^\circ$.
- The caps and the guides for inclined use are not unbundled.

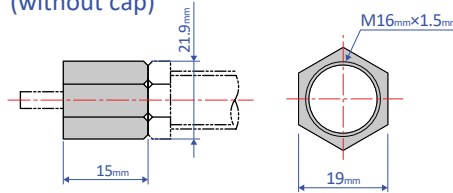


Note: Material of cap for eccentric angle: POM

Stopper nut OP-020HB

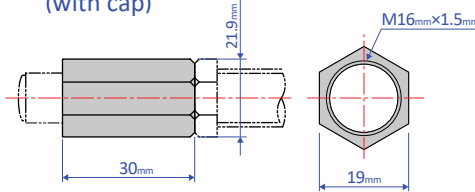
- Adjust so that it stops 1 mm before the stroke end, and fasten with the main unit's nut until secured.

OP-020HB-S (without cap)



Mass 15g

OP-020HB-C (with cap)



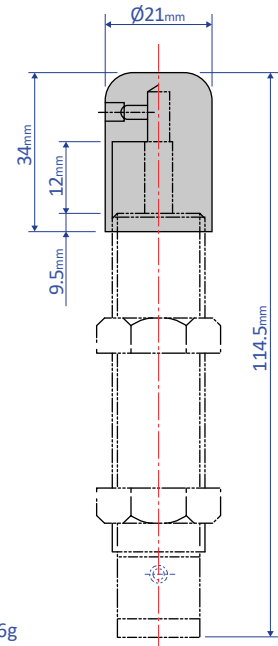
Mass 28g

Note: When attaching, make sure that the side without a bearing chamfer is the impact surface.

Standard nuts are sold separately as well - M16 Nut

Liquid-proof cap FA-1612XD-C-060

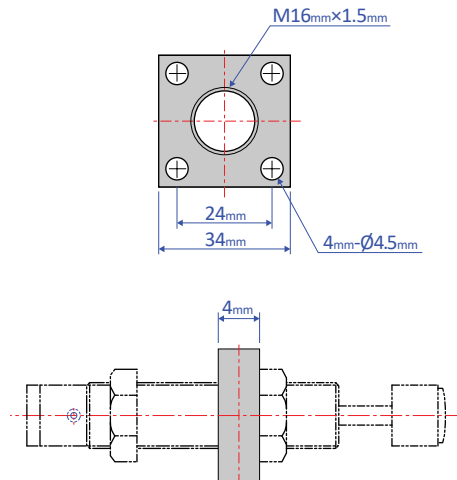
- A drip proof cap is fitted on the unit on delivery.
- Liquid-proof caps are not sold separately.
- Ensure that the cap is facing upward. If the cap is facing sideways or downward, it cannot provide an effective means for liquid proofing.



Mass 46g

Square flange OP-040XB

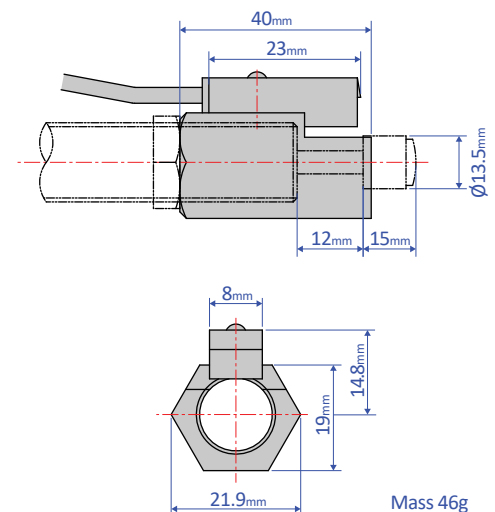
- Once the attachment site is determined, use the main unit's nut to securely fasten in place.



Mass 29g

Holder with a switch OP-030HB-2

- Although a holder with a switch can be ordered on its own, we strongly recommend ordering one with the main unit. Please include the main unit's model number when placing an order.



Mass 46g