

5

4

3

2

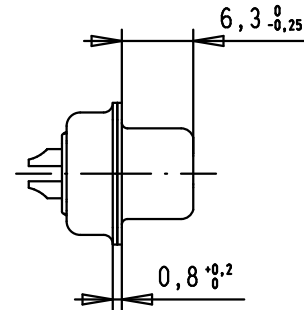
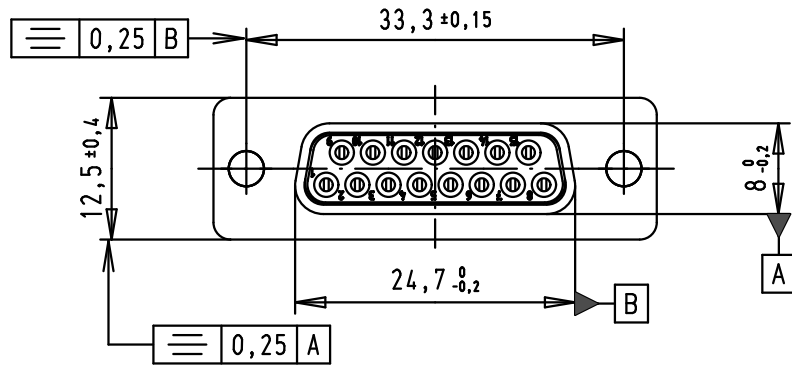
1

SPECIFICATION: C Filter

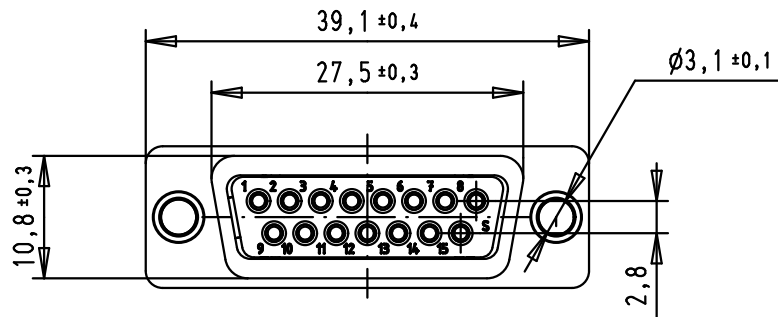
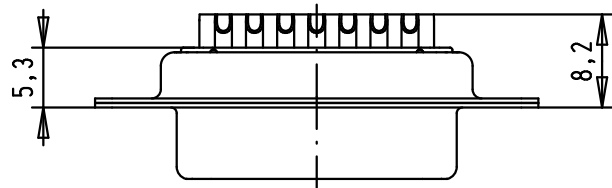
Performance level	PL2
Capacitance	1000pf±20%
Working Voltage	100v
Current Rating	7.5A
Insulation Resistance	>1GΩ

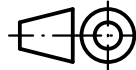

Minimum insetion loss

FREQUENCY (MHz)	ATTENUATION dB
5	1dB
10	3dB
50	12dB
100	20dB
500	34dB
1000	30dB



Max wire ø 1,0 mm



						 All Dim. in mm Orig. Size DIN A 4
			Detail.	8-JUL-02	CV	
			Insp.	12/01/12	JB	
36283	12/01/12	SD	Stand.			
31570	06/11/03	AF				
31058	8-JUL-02	CV				
Mod.	Dot.	Name	HARTING EURL F-95972 Paris			

D-Sub, Female, Straight  
15 Poles, with turned  
solder bucket and hole

Ma?Mstab/  
Scale

1.5:1

TB 09642117230

Blatt/ Page

1 / 1

Sub.

D

C

B

A